

VAV Zone Controller

Mounting Instructions



NOTE This document contains mounting information only. See the controller's *Installation and Start-Up Guide* for more information.

The VAV Zone Single Duct Controller and the VAV Zone Fan Terminal Controller provide zone level temperature and air quality control for Variable Air Volume (VAV) applications.

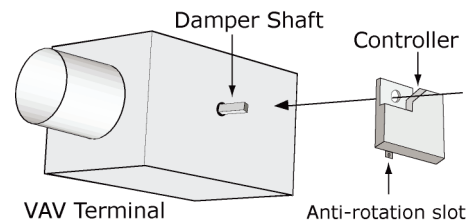
Mount the VAV Zone Controller on the air terminal's damper actuator shaft. For service access, allow at least 12 in. of clearance between the front of the controller and adjacent surfaces.

Tools required:

- 1/4 in. nut driver
- 5/16 in. or 8 mm wrench or socket
- No. 1 Phillips head screwdriver

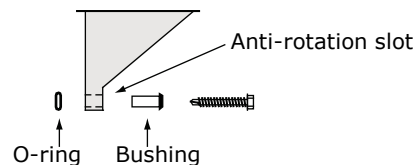
To mount the controller

1. Turn the damper shaft to fully close the damper.
2. Remove the controller's cover.
3. Mount the controller to the VAV terminal by sliding the clamp assembly onto the damper shaft.

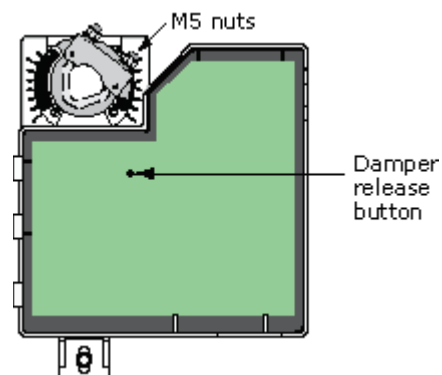


4. Secure the controller by installing the screw provided through the anti-rotation slot's bushing and o-ring.

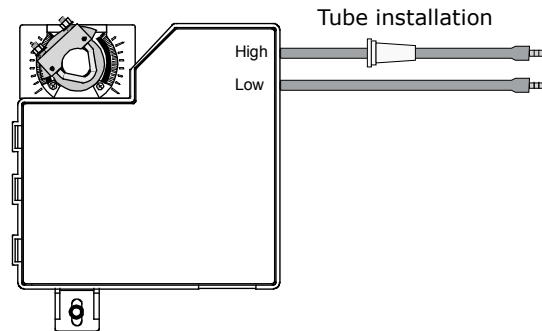
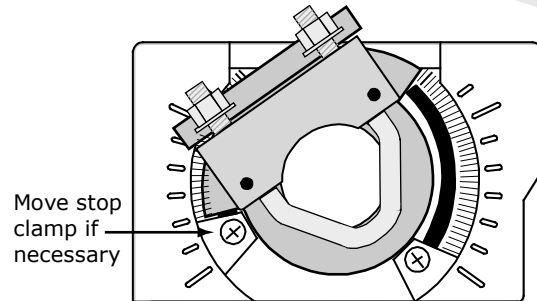
NOTE Center the bushing in the slot. Failure to do so may cause the actuator to stick or bind.



5. Hold down the controller's damper release button and rotate the actuator clamp in the same direction that closed the damper. Rotate the clamp until it stops, then rotate it back one notch.
6. Release the button.
7. Using a 5/16 in. or 8 mm wrench or socket, tighten the actuator clamp to the damper shaft by tightening the two M5 nuts.



8. Hold down the damper release button and rotate the damper from fully closed to fully open. If the damper traveled less than 90 degrees, do the following to prevent the damper opening past fully open:
 - a. Loosen the appropriate stop clamp screw.
 - b. Move the stop clamp until it contacts the edge of the actuator cam.
 - c. Tighten the screw.
9. Hold down the damper release button, rotate the damper to verify that it fully opens and closes, then release the button.
10. Attach the supplied tubes to the controller as shown, attaching the filter tube to the **High** connector.



11. Attach at least 2 feet (.61 meters) of 1/4-inch poly tubing to each of the controller's tubes.
12. Attach the other ends of the poly tubing to the airflow pickup located in the VAV terminal's primary air inlet. Connect the controller's **High** connector to the terminal's **High** connector and the controller's **Low** connector to the terminal's **Low** connector.
13. Replace the controller's cover.

