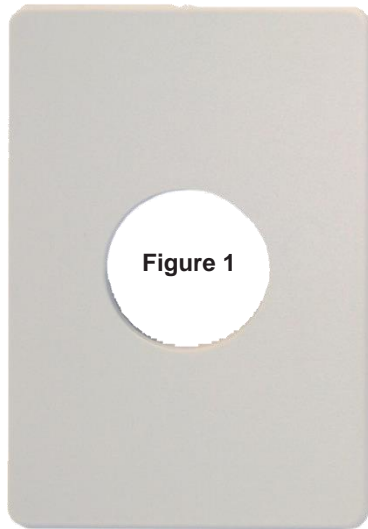


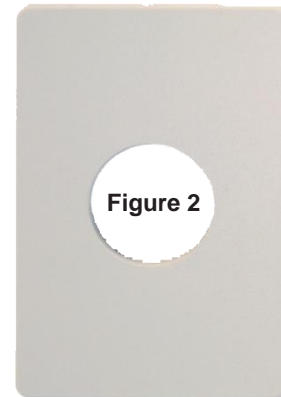
#10488 – 10/1/17

## Overview

The Wall Adapter Plate is designed to cover wall imperfections when installing wall sensors or thermostats. The adapter plate is available in the two sizes shown below. The adapter plate can be painted or wall papered.



7 in x 5.25 in. (177.8 mm x 133.4 mm)  
Part # NSB-ADP-525-7-OFW



5.5 in. x 3.75 in (139.7 mm x 95.3 mm)  
Part # NSB-ADP-37-55-OFW

## Specifications

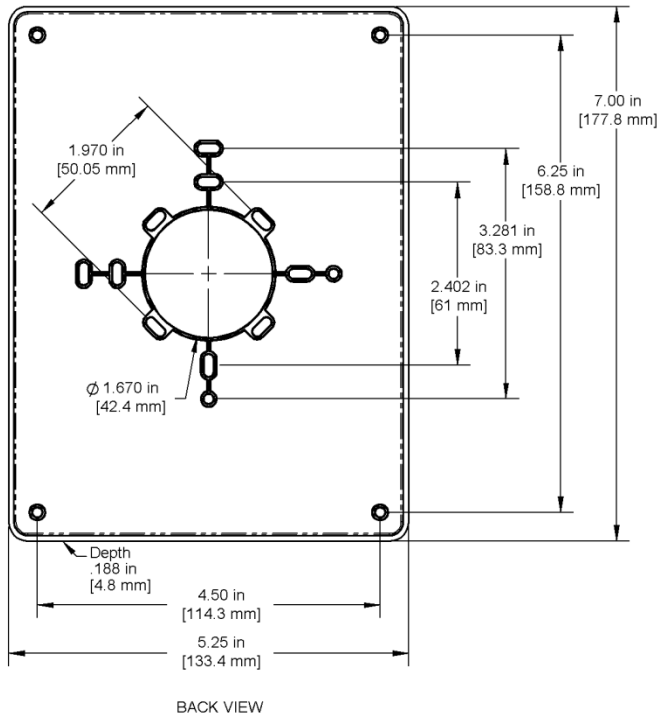
<b>Material</b>	ABS plastic, Flame-retardant
<b>Agency</b>	UL94V-0
<b>Application</b>	Horizontal or Vertical
<b>Mounting</b>	Dry wall, US back box or European EU back box Rear Indents mark custom holes for drilling
<b>Color</b>	Off White
<b>Dimensions</b>	3/16" thick. See other dimensions on next page.
<b>Holes</b>	Center wire-way hole 1.67" diameter
<b>Surface</b>	Textured face, Mold-tech spec M11040
<b>Paintable</b>	Field applied, Latex recommended

## Mounting Notes

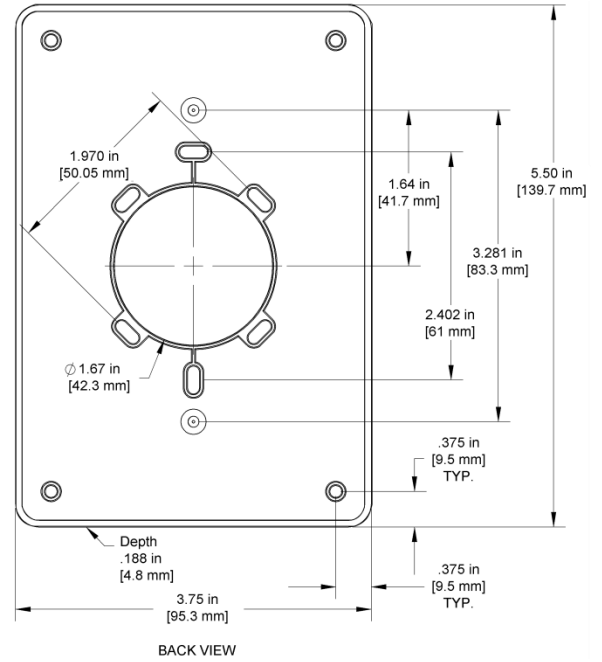
- The Adapter Plate can be mounted vertically or horizontally.
- All mounting holes are filled and must be drilled out for the application.
- When drilling pilot holes for the mounting screws, always drill from the backside of the plate. The pilot holes should be no larger than 9/64".
- Color matching screws are included in every package for use when mounting screws will be visible..

Specifications subject to change without notice.

**Mounting Dimensions**



**Figure 3: P/N NSB-ADP-525-7-OFW**



**Figure 4: P/N NSB-ADP-37-55-OFW**