

Overview

The Thermostat Guard (Part # NSB-BG2) prevents tampering, physical damage, and unauthorized adjustment of thermostats. It is made of thick, durable polycarbonate and features exceptional airflow, key lock protection, horizontal or vertical mounting, and easy installation with hardware included.

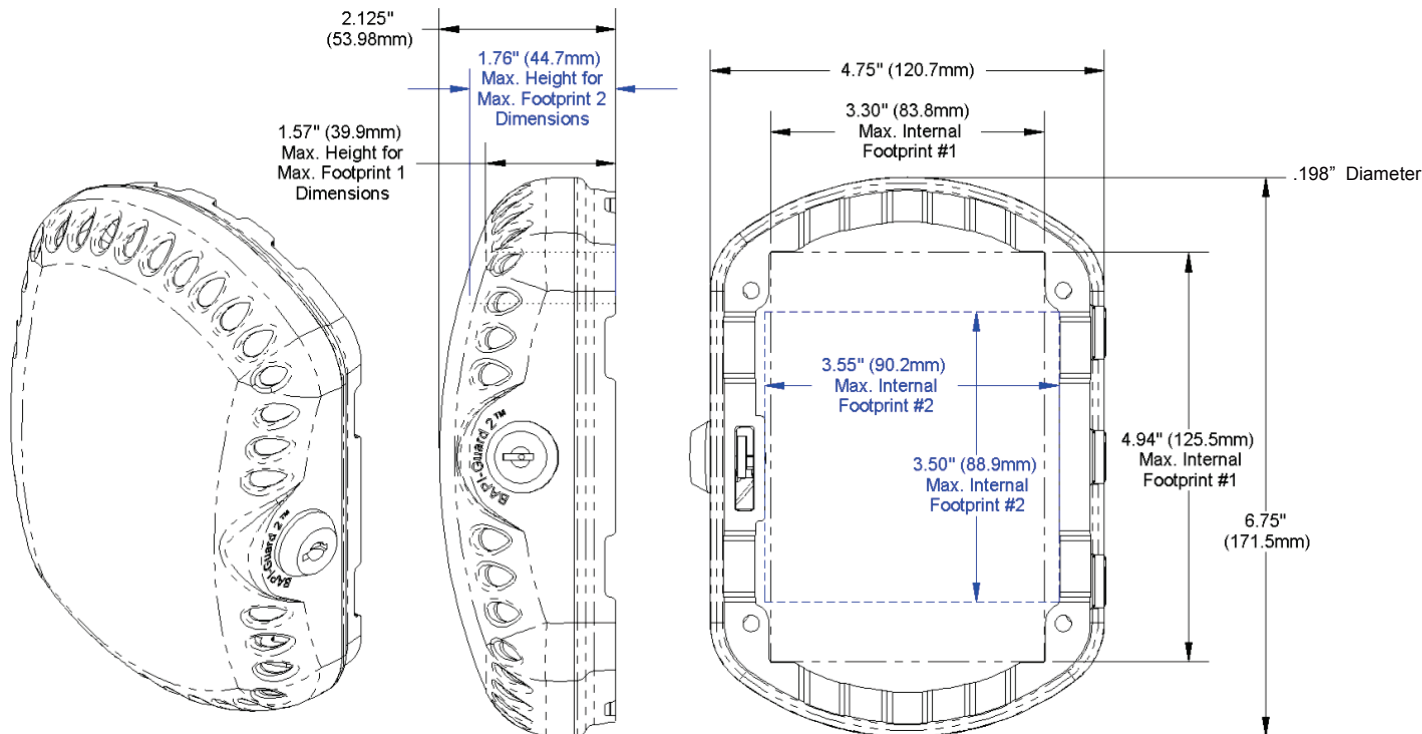


Figure 1: Thermostat Guard Dimensions

Mounting Hole Spacing: 3.76" x 4.02"

Specifications

Material	Impact resistant Polycarbonate	Color	Clear center w/ etched side wall
Construction	Two piece (Base and removable cover)	Agency	UL 94, V-0, RoHS
Venting	360° using base channels and multiple 1/4" ovals	Mounting Hole Spacing	3.76" x 4.02" (95.6 x 102 mm)
Lock	Key operated cylinder w/hook latch	Typical Thermostats Accommodated	
Key	Two keys included	Delta	
Mounting	Four tabs in the base ring	BAPI-Stat 2	
Hardware Included	2-keys, Four #10-1.5" drywall screws Four #10-1.5" concrete screws	Decora	
Cleaning	Water dampened cotton cloth as needed. (Other chemicals could affect the sensor inside.)	PreCon	
Maintenance	None required. (It may be worth checking the mounting screws once a year for tampering.)	Siemens/Powers	
		Honeywell	TB6980, TB7980, T6575, T8575, TH5100, T87, TH3100, TH4100
		JCI	T4000, T22, T25, T26
		Columbus Elec	ET5, ETD5, UT8001 PECO
		Kele	T155, T158, T167, T168
		TAC/BC	CDKW, TP1M, KTR, EXECUTIVE
		Vaisala - GE	TK1000, TK5000, TK2200, 2212
			GMW – 5001

Specifications subject to change without notice.

Mounting

1. Remove the Thermostat Guard's cover from the mounting base.
To remove the cover, open the lock by rotating the key 1/4 turn clockwise, open the cover about 15 degrees to the base and push off to the "hinge" side.
2. Place the base over the device to be protected and mark for the mounting holes.
3. Cover the device to be protected with a damp towel to prevent dust from getting into the device.
4. Do one of the following:
 - For drywall, drill four 9/32-inch (7.1mm) holes. Insert the anchors until they are flush with the wall surface. Attach the base to the wall with the drywall screws (see Figure 2).
 - For concrete or cinder block, drill four 5/32-inch (4mm) holes, 1-3/4 inch (45mm) deep. Attach the base to the wall with the concrete screws (see Figure 2).

NOTES

- One key fits all Thermostat Guard locks.
- You can remove the key from the Thermostat Guard only when it is in the locked position.

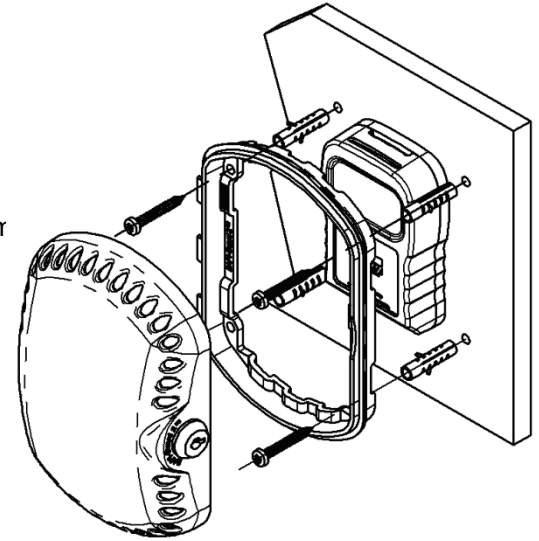


Figure 2: Thermostat Guard Mounting