

40GXC / 38GXC
 40GXQ / 38GXQ
 High-Wall Duct Free Split Systems
 Size 9k, 12k, 18k, and 24k



Installation Instruction

NOTE: Read the entire instruction manual before starting the installation.



9k & 12k



18k & 24k

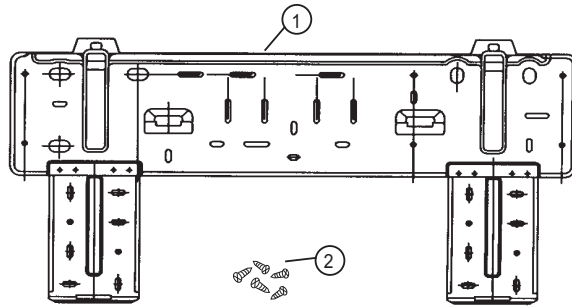


TABLE OF CONTENTS

	PAGE
PARTS LIST	2
SAFETY CONSIDERATIONS	3
SYSTEM REQUIREMENTS	3
DIMENSIONS	4
CLEARANCES	5
INSTALLATION GUIDE	6
INDOOR UNIT INSTALLATION	6
OUTDOOR UNIT INSTALLATION	7 - 8
SYSTEM VACUUM AND CHARGE	9
START-UP	10
TROUBLESHOOTING	11

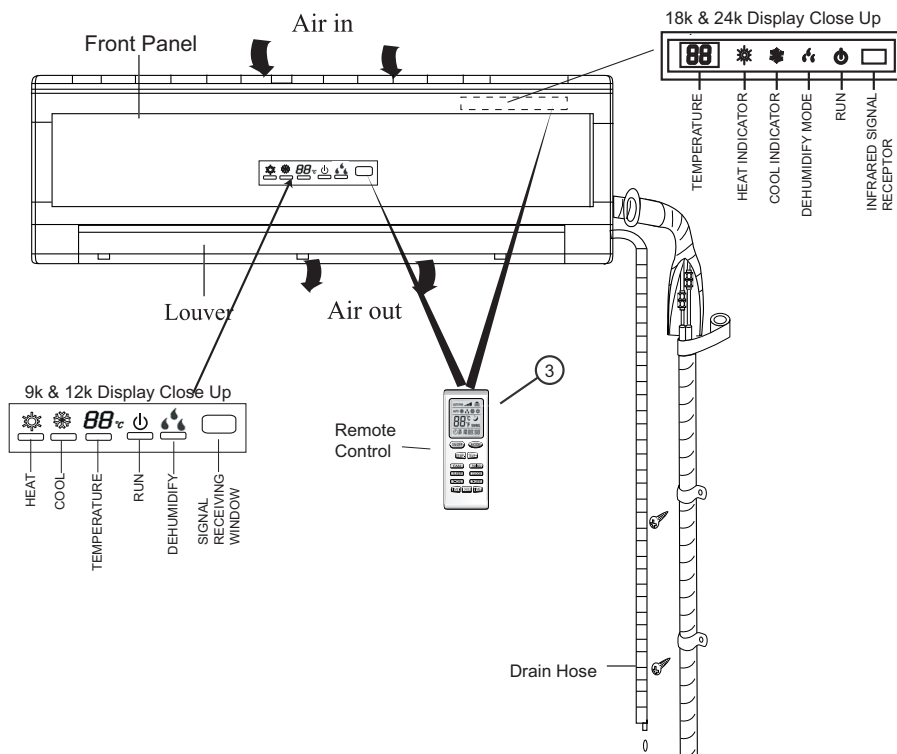
PARTS LIST

Part No.	Name of Part	Qty
1	Mounting Plate	1
2	Mounting Screw ST4.2X25TA	5
3	Remote Control	1

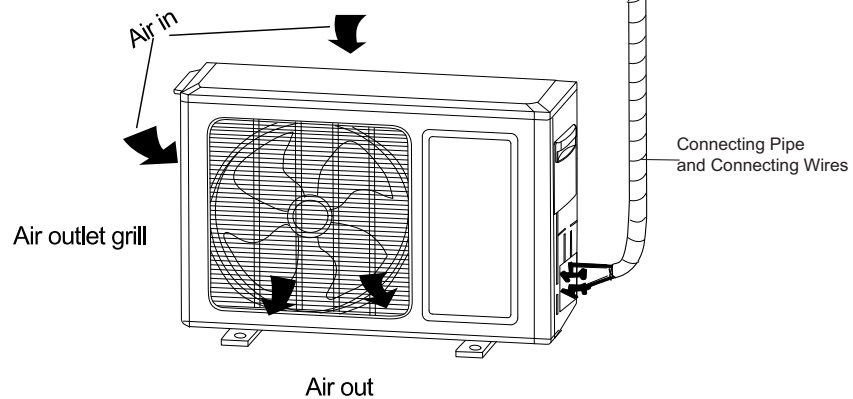


A08274

● Indoor Unit



● Outdoor Unit



A09663

Fig. 1 – 38GXC(Q) / 40GXC(Q) 009, 012, 018 and 024 Parts List

SAFETY CONSIDERATIONS

Installing, starting up, and servicing air-conditioning equipment can be hazardous due to system pressures, electrical components, and equipment location (roofs, elevated structures, etc.).

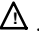
Only trained, qualified installers and service mechanics should install, start-up, and service this equipment.

Untrained personnel can perform basic maintenance functions such as cleaning coils. All other operations should be performed by trained service personnel.

When working on the equipment, observe precautions in the literature and on tags, stickers, and labels attached to the equipment.

Follow all safety codes. Wear safety glasses and work gloves. Keep quenching cloth and fire extinguisher nearby when brazing. Use care in handling, rigging, and setting bulky equipment.

Read these instructions thoroughly and follow all warnings or cautions included in literature and attached to the unit. Consult local building codes and current editions of the National Electrical Code (NEC) NFPA 70. In Canada, refer to current editions of the Canadian electrical code CSA 22.1.

Recognize safety information. This is the safety-alert symbol . When you see this symbol on the unit and in instructions or manuals, be alert to the potential for personal injury. Understand these signal words: DANGER, WARNING, and CAUTION. These words are used with the safety-alert symbol. DANGER identifies the most serious hazards which **will** result in severe personal injury or death. WARNING signifies hazards which **could** result in personal injury or death. CAUTION is used to identify unsafe practices which **may** result in minor personal injury or product and property damage. NOTE is used to highlight suggestions which **will** result in enhanced installation, reliability, or operation.



WARNING

ELECTRICAL SHOCK HAZARD

Failure to follow this warning could result in personal injury or death.

Before installing, modifying, or servicing system, main electrical disconnect switch must be in the OFF position. There may be more than 1 disconnect switch. Lock out and tag switch with a suitable warning label.



CAUTION

EQUIPMENT DAMAGE HAZARD

Failure to follow this caution may result in equipment damage or improper operation.

Do not bury more than 36 in. (914 mm) of refrigerant pipe in the ground. If any section of pipe is buried, there must be a 6 in. (152 mm) vertical rise to the valve connections on the outdoor units. If more than the recommended length is buried, refrigerant may migrate to the cooler buried section during extended periods of system shutdown. This causes refrigerant slugging and could possibly damage the compressor at start-up.

GENERAL

These instructions cover the installation, start-up and servicing of 38GXC(Q) outdoor and 40GXC(Q) indoor units duct free systems.

SYSTEM REQUIREMENTS

Allow sufficient space for airflow and servicing unit. See Fig. 2 and 3 for minimum required distances between unit and walls or ceilings.

Piping

IMPORTANT: Both refrigerant lines must be insulated separately.

- Minimum refrigerant line length between the indoor and outdoor units is 10 ft. (3 m).
- The following maximum lengths are allowed:

REFRIGERANT LINE LENGTHS ft. (m)			
Unit Size	Max Line Length	Max Elevation (ID over OD)	Max Elevation (OD over ID)
9 & 12K	65 (20)	35 (11)	35 (11)
18K	80 (25)	50 (15)	50 (15)
24K	100 (30)	50 (15)	50 (15)

- The following are the piping sizes.

PIPE SIZES		
Unit Size	Mix Phase	Vapor
9, 12 & 18K	1/4"	1/2"
24K	3/8"	5/8"

Refrigerant Charge

REFRIGERANT CHARGE	
Unit Size	Amount of Charge lb. (kg)
9 K	2.65 (1.2)
12 K	2.8 (1.27)
18 K	3.5 (1.6)
24 K	5.4 (2.5)

- Above charge is for piping runs up to 25 ft. (7.6 m).
- **For piping runs greater than 25 ft. (7.6 m), add 0.1 oz. of refrigerant per foot of extra piping up to the allowable length.**
- Capillary tubes are used as metering devices.

Connecting (Power and Control Cable)

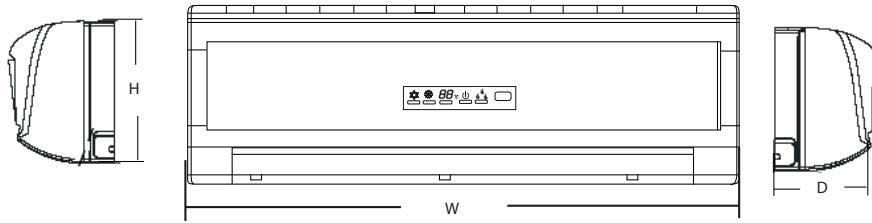
- The main power is supplied to the outdoor unit. The field supplied connecting cable from the outdoor unit to indoor unit consists of four wires and provides the power for the indoor unit as well as the communication signal and ground between the outdoor and indoor unit. Two wires are high voltage AC power, one is low voltage and one is a ground wire.
- Consult local building codes, NEC (National Electrical Code) or CEC (Canadian Electrical Code) for special requirements.

Model Size	Power Source	MIN CKT AMP MAX FUSE/CB AMP
9 K	115 - 1 - 60	20/25
12 K	115 - 1 - 60	20/25
12 K	208/230 - 1 - 60	10/15
18 K	208/230 - 1 - 60	14/25
24 K	208/230 - 1 - 60	16/30

- **Connecting Cable:** Voltage drop on the connecting cable should be kept to a minimum. Do not use thermostat wire. Use cable size and max length below:

18 AWG	50 Feet (16 m)
16 AWG	65 Feet (19.8 m)
14 AWG	>65 Feet (19.8 m)

DIMENSIONS - INDOOR

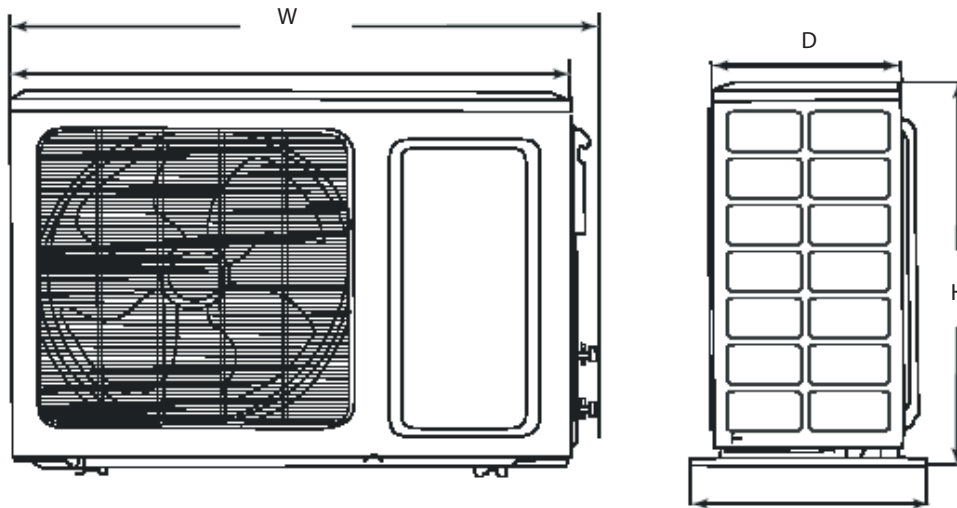


A08289

Unit Size	W In. (mm)	H In. (mm)	D In. (mm)	Net Operating Weight Lbs. (Kg)
9k	30.3 (770)	9.8 (250)	7.84 (1.99)	18.7 (8.50)
12k	32.7 (830)	11.2 (285)	8.9 (225)	24.2 (11.0)
18k	32.7 (830)	11.2 (285)	8.1 (206)	26.4 (12.0)
24k	42.9 (1090)	13.0 (330)	8.2 (208)	38.5 (17.5)

38/40GXC(Q)

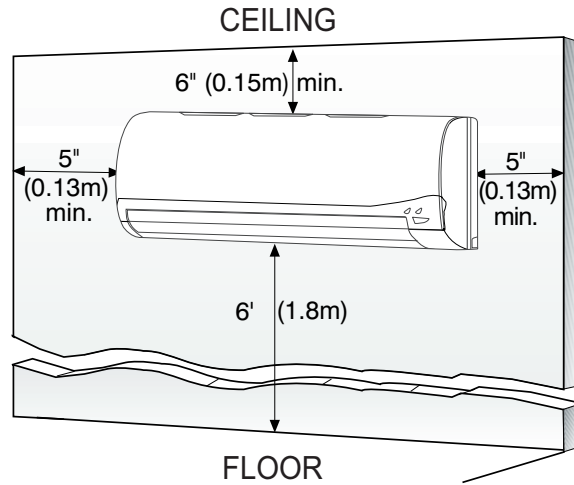
DIMENSIONS - OUTDOOR



A08290

Unit Size	W In. (mm)	D In. (mm)	H In. (mm)	Net Operating Weight Lbs. (Kg)
9k & 12k	33.4 (848)	12.6 (320)	21.3 (541)	88.0 (40)
18k	33.3 (846)	11.8 (300)	27.0 (685)	114.4 (52)
24k	37.4 (950)	16.5 (420)	33.1 (840)	140.3 (64)

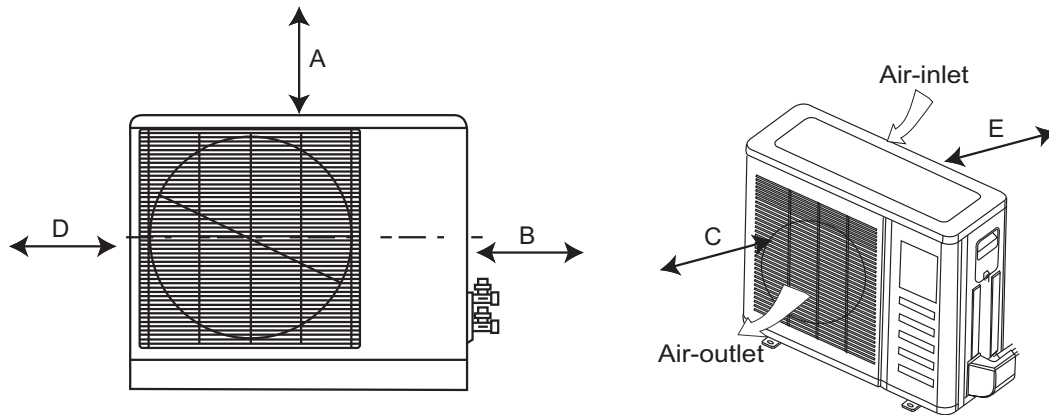
CLEARANCES - INDOOR



A07891

Fig. 2 – Indoor unit clearance

CLEARANCES - OUTDOOR



A07894

UNIT	12k in. (mm)
A	20 (508)
B	20 (508)
C	24 (610)
D	12 (305)
E	12 (305)

Fig. 3 – Outdoor Unit Clearance

INSTALLATION GUIDE

Ideal installation locations include:

Indoor Unit

- A location where there are no obstacles near inlet and outlet area.
- A location which can bear the weight of indoor unit.
- Do not install indoor units near a direct source of heat such as direct sunlight or a heating appliance.
- A location which provides appropriate clearances as outlined in Fig. 2 (pg. 5).

Outdoor Unit

- A location which is convenient to installation and not exposed to strong wind. If unit is exposed to strong winds it is recommended that a wind baffle be used. Contact your Carrier Representative for drawings. (See Fig. 11, pg. 7)
- A location which can bear the weight of outdoor unit and where the outdoor unit can be mounted in a level position.
- A location which provides appropriate clearances as outlined in Fig. 3 (pg. 5).
- Do not install the indoor or outdoor units in a location with special environmental conditions. For those applications, contact your Carrier Representative.

INDOOR UNIT INSTALLATION

INSTALL MOUNTING PLATE

1. Carefully remove the mounting plate, which is attached to the back of the indoor unit.
2. The mounting plate should be located horizontally and level on the wall. All minimum spacings shown in Fig. 4 through Fig. 7 should be maintained.
3. If the wall is block, brick, concrete or similar material, drill .2" (5 mm) diameter holes and insert anchors for the appropriate mounting screws.
4. Attach the mounting plate to the wall.

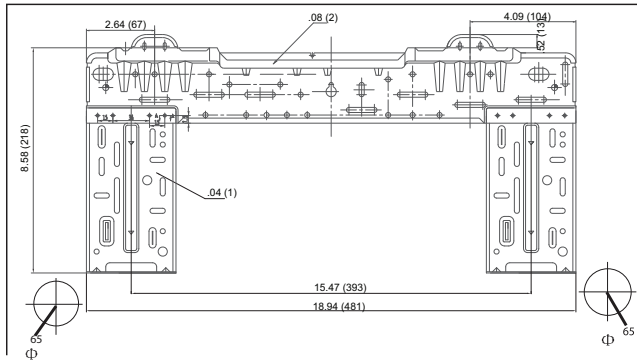


Fig. 4 – 9k Mounting Plate Spacing

A085862

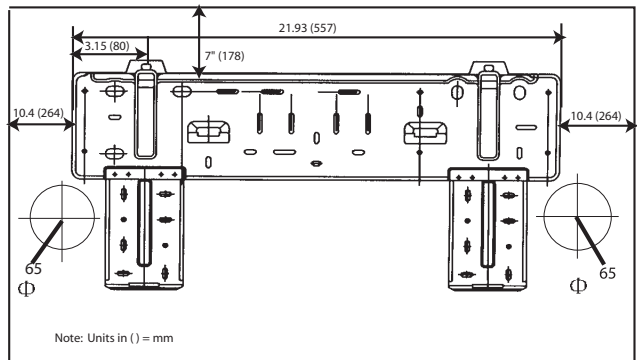


Fig. 5 – 12k Mounting Plate Spacing

A08291

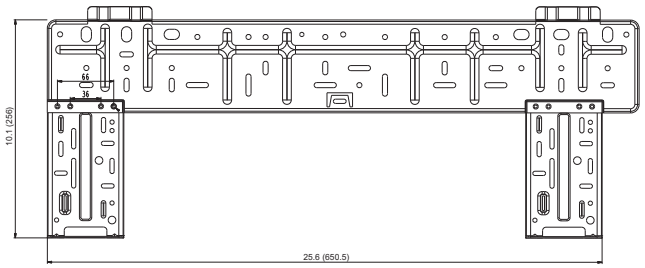


Fig. 6 – 18k Mounting Plate Spacing

A09664

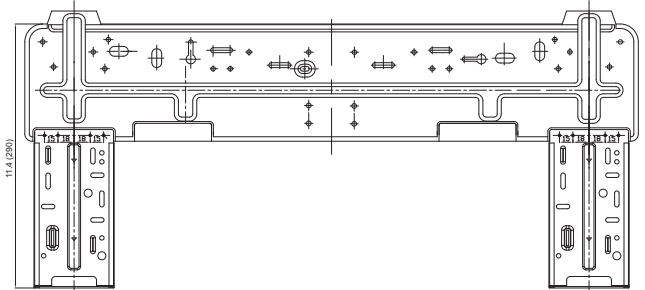


Fig. 7 – 24k Mounting Plate Spacing

A09665

DRILL HOLE IN WALL FOR INTERCONNECTING PIPING, DRAIN AND WIRING

Refrigerant Line Routing

The refrigerant lines may be routed in any of the four directions shown in Fig. 8 (a) and (b).

For maximum serviceability, it is recommended to have refrigerant line flare connections and the drain connection on the outside of the wall that the fan coil is mounted on.

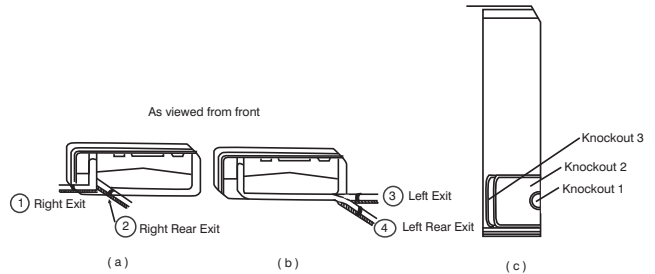


Fig. 8 – Refrigerant Line Routing

A08281

If piping is going through the back:

1. Determine pipe hole position using the mounting plate as a template. Drill pipe hole diameter per chart below. The outside pipe hole is 1/2-in. (13 mm) min. lower than inside pipe hole, so it slants slightly downward (see Fig. 9). If piping is going to exit from the left rear, it is recommended to field-fabricate piping extensions to get the flare connections to the outside of the wall.

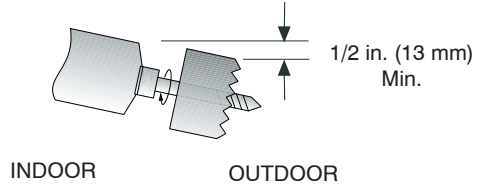


Fig. 9 – Drill Holes

A07371

Model Size	Hole Diameter in. (mm)
9k, 12k and 18k	2.56 (65)
24k	3.75 (95)

If piping is going through the right or left side:

1. Use a small saw blade to carefully remove the corresponding plastic covering on side panel and drill the appropriate size hole where the pipe is going through the wall. See Fig. 8(c).
2. Remove knockout 1 if you are running only the wiring. Remove knockout 1 and 2 or knockout 1, 2 and 3 if you are running both piping and wiring through the side of the unit.

OUTDOOR UNIT INSTALLATION

1. Use a rigid base to support unit in a level position.
2. Locate outdoor unit and connect piping and wiring.

⚠ CAUTION

EQUIPMENT DAMAGE HAZARD

Failure to follow this caution may result in equipment damage or improper operation.

Excessive torque can break flare nut depending on installation conditions.

Piping Connections to Outdoor Unit

IMPORTANT: Use refrigeration grade tubing ONLY. No other type of tubing may be used. Use of other types of tubing will void manufacturer’s warranty.

Make sure there is enough piping to cover the required length between the outdoor and indoor unit.

Piping Guide:

- Do not open service valves or remove protective caps from tubing ends until all the connections are made.
 - Bend tubing with bending tools to avoid kinks and flat spots.
 - Keep the tubing free of dirt, sand, moisture, and other contaminants to avoid damaging the refrigerant system.
 - Avoid sags in the suction line to prevent the formation of oil traps. Insulate each tube with minimum 3/8-in. (10 mm) wall thermal pipe insulation. Inserting the tubing into the insulation before making the connections will save time and improve installation quality.
1. Remove service valve cover if provided with unit.
 2. Cut tubing with tubing cutter.
 3. Install correct size flare nut onto tubing and make flare connection.
 4. Apply a small amount of refrigerant oil to the flare connection on the tubing.
 5. Properly align tubing in with service valve.
 6. Tighten flare nut and finish installation using two wrenches as shown in Fig. 10.

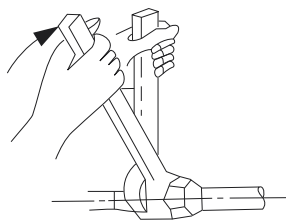


Fig. 10 – Tighten Flare Nut

A07354

INSTALL ALL POWER AND INTERCONNECTING WIRING TO OUTDOOR UNIT

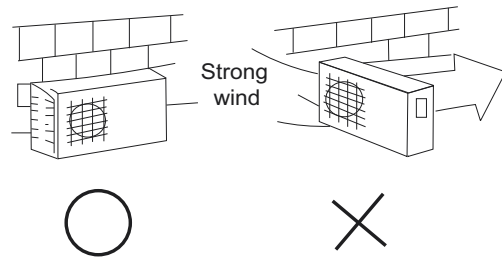


Fig. 11 – High Wind Installation

A07350

Outdoor Unit Wiring Connections

1. Mount outdoor power disconnect.
2. Run power wiring from main box to disconnect per NEC and local codes. Set outdoor unit in place.
3. Remove field wiring cover (on sizes 9k, 12k, and 18k) from unit by removing screws. On size 24k, use the knockout provided on the end panel.
4. Connect conduit to the conduit panel on sizes 9k, 12k, and 18k. (See Fig. 12)
5. Properly connect both power supply and control lines to terminal block per the connection diagram.
6. Ground unit in accordance with NEC and local electrical codes.
7. Use lock nuts to secure conduit.
8. Reinstall field wiring cover on 9k, 12k, and 18k units.

⚠ CAUTION

EQUIPMENT DAMAGE HAZARD

Failure to follow this caution may result in equipment damage or improper operation.

- Be sure to comply with local codes while running wire from indoor unit to outdoor unit.
- Every wire must be connected firmly. Loose wiring may cause terminal to overheat or result in unit malfunction. A fire hazard may also exist. Therefore, be sure all wiring is tightly connected.
- No wire should be allowed to touch refrigerant tubing, compressor or any moving parts.
- Disconnecting means must be provided and shall be located within sight and readily accessible from the air conditioner.
- Connecting cable with conduit shall be routed through hole in the conduit panel.

38/40GXC(Q)

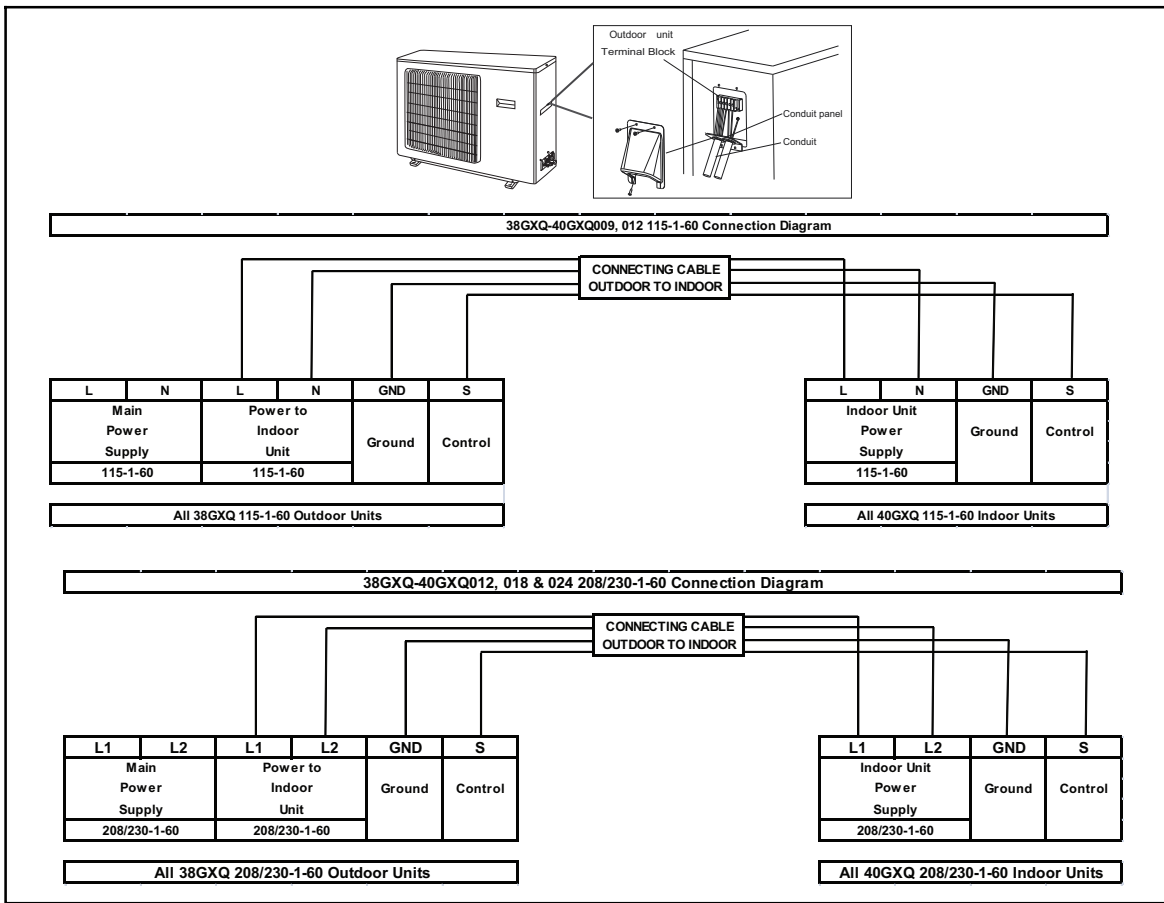


Fig. 12 – Field Wiring

A09666

INSTALL ALL POWER, INTERCONNECTING WIRING, AND PIPING TO INDOOR UNIT.

1. Run interconnecting piping and wiring from outdoor unit to indoor unit.
2. Pass interconnecting cable through hole in wall (outside to inside).
3. Lift indoor unit into position and route piping and drain through hole in wall (inside to outside). Fit interconnecting wiring into back side of indoor unit.
4. Hang indoor unit on upper hooks of wall mounting plate (as shown in Fig. 13)

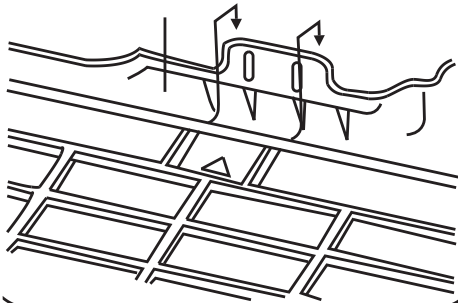


Fig. 13 – Hanging Indoor Unit

A08283

5. Open front cover of indoor unit and remove field wiring terminal block cover (see Fig. 14)

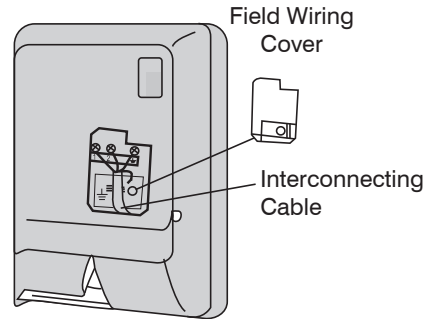


Fig. 14 – Field Wiring Cover

A08279

6. Pull interconnecting wire up from back of indoor unit and position in close to the terminal block on indoor unit.
7. Push bottom of indoor unit onto mounting plate to complete wall mount.
8. Connect wiring from outdoor unit per connection diagram (see Fig. 12).

NOTE: Polarity of power wires must match original connection on outdoor unit.

9. Replace field wiring cover and close front cover of indoor unit.
10. Connect refrigerant piping and drain line outside of indoor unit. Refer to Fig. 10 for proper installation of flare connections. Complete pipe insulation at flare connection then fasten piping and wiring to the wall as required. Completely seal the hole in the wall.



CAUTION

UNIT DAMAGE HAZARD

Failure to follow this caution may result in equipment damage or improper operation.

Never use the system compressor as a vacuum pump.

Refrigerant tubes and indoor coil should be evacuated using the recommended deep vacuum method of 500 microns. The alternate triple evacuation method may be used if the procedure outlined below is followed. Always break a vacuum with dry nitrogen.

SYSTEM VACUUM AND CHARGE

Using Vacuum Pump

1. Completely tighten flare nuts A, B, C, D, connect manifold gage charge hose to a charge port of the low side service valve. (See Fig. 15.)
2. Connect charge hose to vacuum pump.
3. Fully open the low side of manifold gage. (See Fig. 16)
4. Start vacuum pump
5. Evacuate using either deep vacuum or triple evacuation method.
6. After evacuation is complete, fully close the low side of manifold gage and stop operation of vacuum pump.
7. The factory charge contained in the outdoor unit is good for up to 25 ft. (8 m) of line length. For refrigerant lines longer than 25 ft (8 m), add 0.1 oz. per foot of extra piping up to the maximum allowable length.
8. Disconnect charge hose from charge connection of the low side service valve.
9. Fully open service valves B and A.
10. Securely tighten caps of service valves.

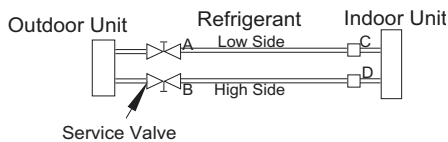


Fig. 15 – Service Valve

A07360

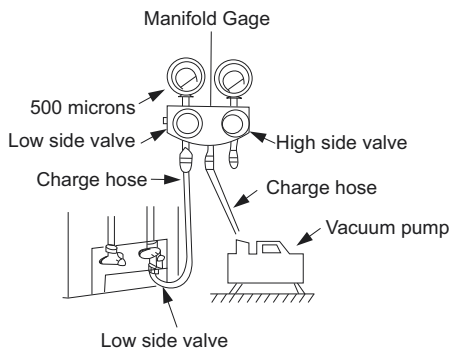


Fig. 16 – Manifold

A07361

Deep Vacuum Method

The deep vacuum method requires a vacuum pump capable of pulling a vacuum of 500 microns and a vacuum gage capable of accurately measuring this vacuum depth. The deep vacuum method is the most positive way of assuring a system is free of air and liquid water. (See Fig. 17)

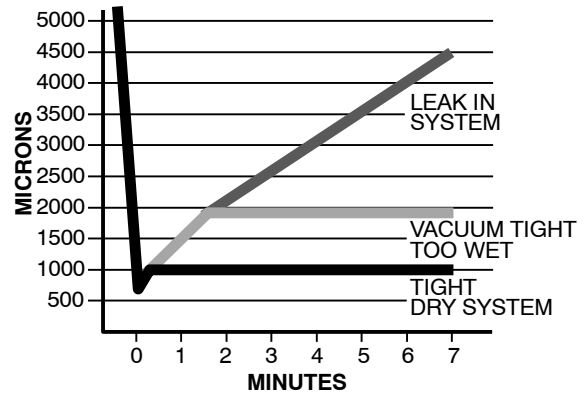


Fig. 17 – Deep Vacuum Graph

A95424

Triple Evacuation Method

The triple evacuation method should only be used when vacuum pump is only capable of pumping down to 28 in. of mercury vacuum and system does not contain any liquid water. Refer to Fig. 18 and proceed as follows:

1. Pump system down to 28 in. of mercury and allow pump to continue operating for an additional 15 minutes.
2. Close service valves and shut off vacuum pump.
3. Connect a nitrogen cylinder and regulator to system and open until system pressure is 2 psig.
4. Close service valve and allow system to stand for 1 hr. During this time, dry nitrogen will be able to diffuse throughout the system absorbing moisture.
5. Repeat this procedure as indicated in Fig. 18. System will then be free of any contaminants and water vapor.

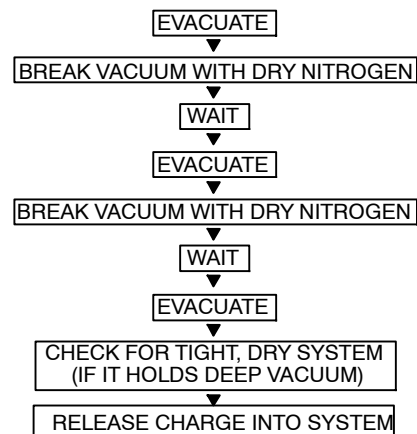


Fig. 18 – Triple Evacuation Method

A95425

Final Tubing Check

IMPORTANT: Check to be certain factory tubing on both indoor and outdoor unit has not shifted during shipment. Ensure tubes are not rubbing against each other or any sheet metal. Pay close attention to feeder tubes, making sure wire ties on feeder tubes are secure and tight.

START-UP

Test Operation

Perform test operation after completing gas leak and electrical safety check.

1. Push the “ON/OFF” button on Remote Control to begin testing.

NOTE: A protection feature prevents the air conditioner from being activated for approximately 3 minutes.

2. Push MODE button, select COOLING, HEATING, FAN mode to check if all functions work correctly.

SYSTEM CHECKS

1. Conceal the tubing where possible.
2. Make sure that the drain tube slopes downward along its entire length.
3. Ensure all tubing and connections are properly insulated.
4. Fasten tubes to the outside wall, when possible.
5. Seal the hole through which the cables and tubing pass.

INDOOR UNIT

1. Do all Remote Control buttons function properly?
2. Do the display panel lights work properly?
3. Does the air deflection louver function properly?
4. Does the drain work?

OUTDOOR UNIT

1. Are there unusual noises or vibrations during operation?

Explain Following Items To Customer With The Aid Of The Owner’s Manual:

1. How to turn air conditioner on and off; selecting COOLING, HEATING and other operating modes; setting a desired temperature; setting the timer to automatically start and stop air conditioner operation; and all other features of the Remote Control and display panel.
2. How to remove and clean the air filter.
3. How to set air deflection louver.
4. Explain care and maintenance.
5. Present the Owner’s Manual and installation instructions to customer.

TROUBLESHOOTING

This unit has onboard diagnostics. Error codes will appear on the LED display on the front panel of the indoor unit in place of the temperature display. Error codes are also displayed on the outdoor unit microprocessor board with colored LED lights. The table below explains the error codes for both units.

38GXC/GXQ - 40GXC/GXQ 009-024 Diagnostic Codes

Equipment Fault	Code Displayed on Indoor Unit Front Panel	LED Display on Outdoor Unit Board			Possible Cause
		Green LED Number of Flashes	Red LED Number of Flashes	Yellow LED Number of Flashes	
Freeze Protection, Indoor Coil	E2		4	3	Low Refrigerant Charge, Blocked Indoor Air Flow, or Dirty Air Filter
High Compressor Discharge Temperature	E4			7	Low Refrigerant Charge, Blocked Capillary, or High Ambient Temperature
Low Voltage Protection	E5			5	Low Voltage
Communication Error	E6	0			Wiring Error, or Communication Failure
Indoor Air Temperature Thermistor	F1				Bad Connection, or Sensor Failure
Indoor Coil Temperature Thermistor	F2				Bad Connection, or Sensor Failure
Outdoor Air Temperature Thermistor	F3		6		Bad Connection, or Sensor Failure
Outdoor Coil Temperature Thermistor	F4		5		Bad Connection, or Sensor Failure
Compressor Discharge Line Thermistor	F5		7		Bad Connection, or Sensor Failure
Defrost	H1			2	Unit going through normal defrost cycle
Compressor Overload Protection	H3			8	Low Refrigerant Charge, Blocked Capillary, or Compressor Motor Failure
Compressor Over Current Protection	H4			6	High Ambient Temperature, or Loss of Condenser Airflow
IPM Module Protection	H5			4	Loss of Cooling to Heat Sink, High Ambient, Low Voltage, or Bad Connections

38/40GXC(Q)

38/40GXC(Q)