

Installation Instructions

Part Numbers: 50DJ902301, 50DJ902311

USAGE

UNIT	PART NUMBER
48DJ,DK,LJ024	50DJ902301
48DJ,DK028, 030	50DJ902311

Accessory horizontal conversion package is used to convert 48DJ,DK,LJ units from vertical supply/return configuration to horizontal supply/return.

Horizontal Conversion package contains:

- 1 — Bottom return inlet blockoff plug
- 1 — Bottom supply outlet blockoff plug
- 4 — Vertical duct mounting flanges
- 2 — Horizontal return duct mounting flanges
- 2 — Horizontal supply duct mounting flanges

Remove channel panels. Remove and discard the panels shown in Fig. 1. Save all fasteners and channel panels, as they are needed to reinstall duct flanges.

Place blockoff plugs in the vertical supply-return inlets/outlets and secure them using fasteners from shipping. (This is done from inside the unit.) Provide waterproof seal at all joints, using RTV or similar sealant.

Install duct mounting flanges using the fasteners from panels. Re-install channel panels.

Attach field-supplied ductwork to flanges mounted on the side of the unit. Duct flange height is approximately one inch; flange is 18-gage sheet metal. See Fig. 2. The horizontal supply and return duct openings (inside dimensions) for 024 units are 26.88 in. wide x 42 in. high. The horizontal supply duct opening for 028 and 030 units is 26.88 in. wide x 42 in. high; the return duct opening for 028 and 030 units is 31.88 in. wide x 42 in. high.

Secure all ducts to building structure, using flexible duct connectors between unit and ducts as required. Insulate and weatherproof all external ductwork, joints, and roof openings with flashing and mastic in accordance with applicable codes. Ducts passing through an unconditioned space must be insulated and covered with a vapor barrier.

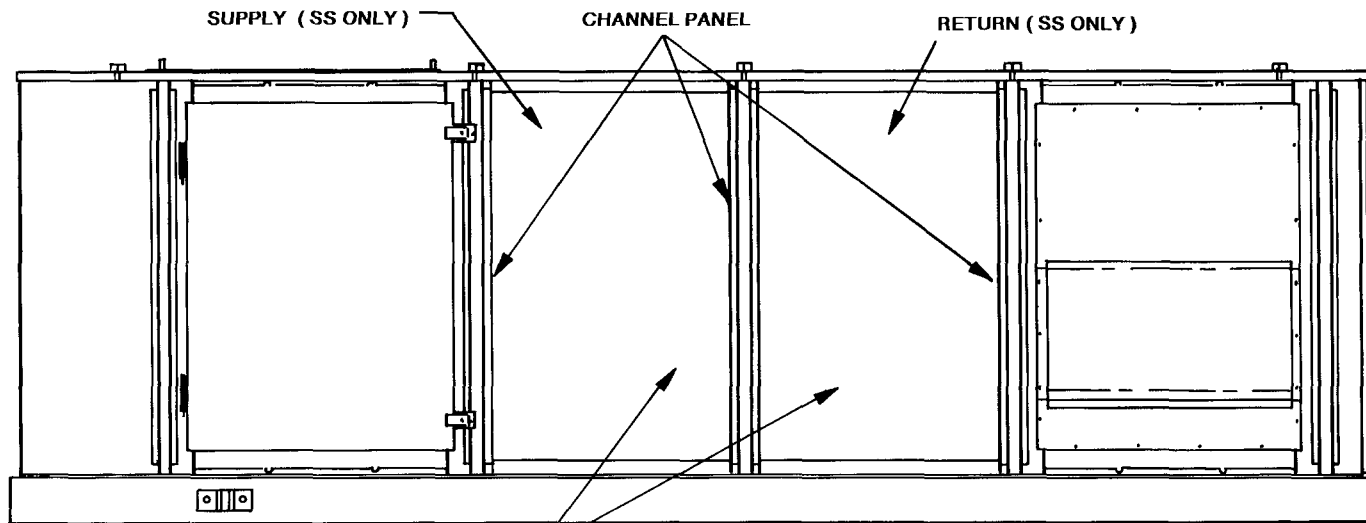
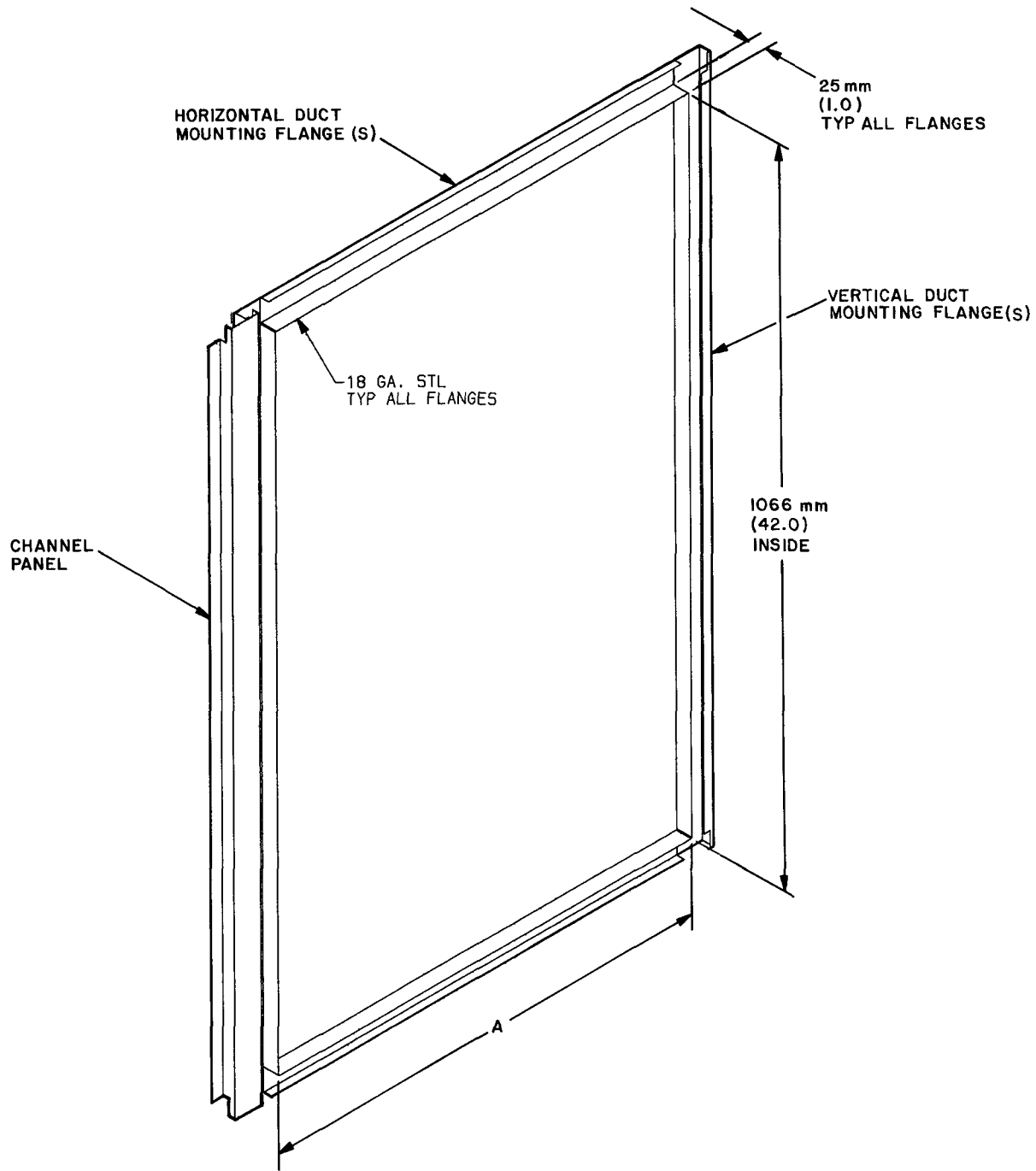


Fig. 1 — Installation Details



NOTE: Dimensions in () are in inches.

UNIT	SUPPLY		RETURN	
	mm	in.	mm	in.
48DJ,DK,LJ024	682	26.88	682	26.88
48DJ,DK028,030	682	26.88	810	31.88

Fig. 2 – Duct Flange Detail