



Outdoor-Air Hood Accessory for Large Rooftop Units 48/50TJ016 (50 Hz), 024,028,030 48/50TM016-024

Installation Instructions

Part No. CRODHOOD001A00

SAFETY CONSIDERATIONS

Installation and servicing of air-conditioning equipment can be hazardous due to system pressure and electrical components. Only trained and qualified service personnel should install, repair, or service air-conditioning equipment.

Untrained personnel can perform basic maintenance functions of cleaning coils and filters and replacing filters. All other operations should be performed by trained service personnel. When working on air-conditioning equipment, observe precautions in the literature, tags and labels attached to the unit, and other safety precautions that may apply.

Follow all safety codes. Wear safety glasses and work gloves. Use quenching cloth for unbrazing operations. Have fire extinguishers available for all brazing operations.

⚠ WARNING

Before performing service or maintenance operations on unit, turn off main power switch to unit. Electrical shock could cause personal injury.

⚠ WARNING

1. Improper installation, adjustment, alteration, service, or maintenance can cause property damage, personal injury, or loss of life. Refer to the User's Information Manual provided with this unit for more details.
2. Do not store or use gasoline or other flammable vapors and liquids in the vicinity of this or any other appliance.

⚠ CAUTION

When working around the outdoor coil, be careful not to damage the coil fins.

⚠ WARNING

Outdoor coil fins are very sharp. Take proper precautions to avoid injury when working on or near the coils.

INSTALLATION

1. Identify parts, see Fig. 1 and Table 1.
2. Install Hood Brackets with top flange facing toward coil (see Fig. 2).
3. Remove all screws on the front and end of condenser top cap. (See Fig. 3.)
4. Slide top panel hood flange between unit top panel flange and unit. Reinstall screws in top cap (see Fig. 3).

5. Hold hood baffle angle flat against hood top panel and fasten with screws provided. (See Fig. 4.)
6. Secure the hood top to the side brackets using the screws supplied with the kit (see Fig. 4).

Table 1 — Kit Contents

| PART NO. | DESCRIPTION (Quantity) |
|------------|------------------------|
| 50TJ500817 | Hood Top Panel (1) |
| 50TJ500820 | Hood Bracket LH (1) |
| 50TJ500819 | Hood Bracket RH (1) |
| 50TJ500818 | Baffle Angle (1) |
| AL79AU306 | 1/4-14x12 screws (22) |

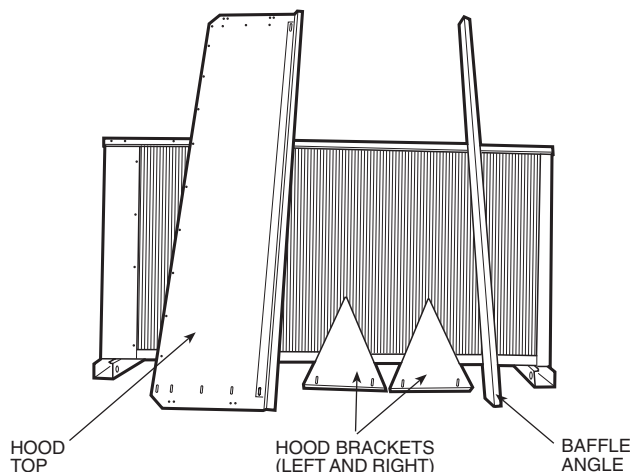


Fig. 1 — Hood Components

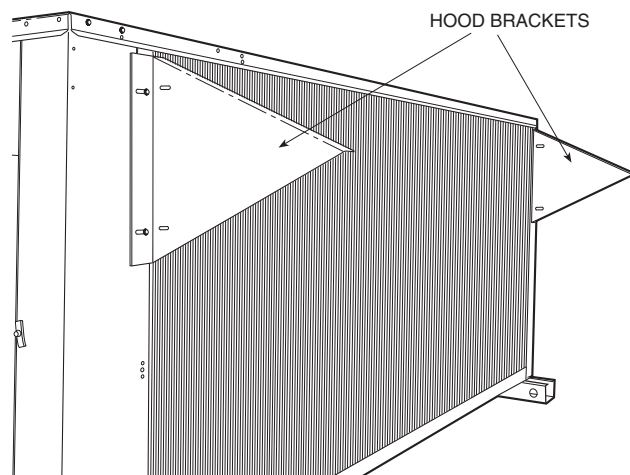


Fig. 2 — Hood Bracket Placement

Manufacturer reserves the right to discontinue, or change at any time, specifications or designs without notice and without incurring obligations.

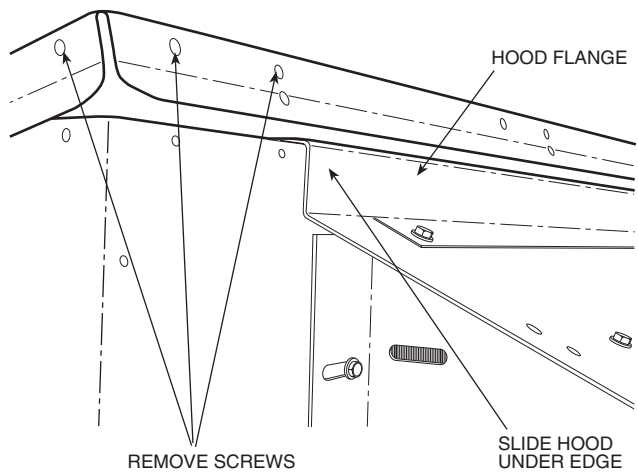


Fig. 3 — Condenser Top Cap

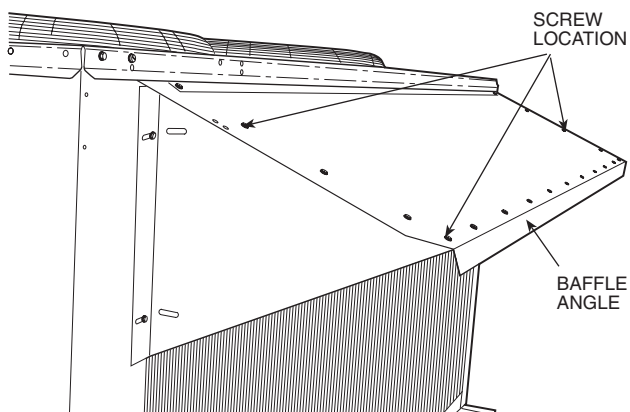


Fig. 4 — Screw Locations