

# 50TCQ

Single Package Rooftop  
Heat Pump  
with Puron® (R-410A) Refrigerant  
Sizes 08 and 09



## Installation Instructions

**50TCQ units for installation in the United States contain use of Carrier's Staged Air Volume (SAV™) 2-speed indoor fan control system. This complies with the U.S. Department of Energy (DOE) efficiency standard of 2018.**

**50TCQ units for installation outside the United States may or may not contain use of the SAV 2-speed indoor fan control system as they are not required to comply with the U.S. Department of Energy (DOE) efficiency standard of 2018.**

**For specific details on operation of the Carrier SAV 2-speed indoor fan system refer to the Variable Frequency Drive (VFD) Factory-Installed Option 2-Speed Motor Control Installation, Setup and Troubleshooting manual.**

**NOTE:** Read the entire instruction manual before starting the installation.

### TABLE OF CONTENTS


SAFETY CONSIDERATIONS .....	3	Step 8 - Install Outside Air Hood .....	14
Rated Indoor Airflow (cfm) .....	4	Economizer and Two Position Damper Hood	
REFRIGERATION SYSTEM COMPONENTS .....	7	Package Removal and Setup — Factory Option ..	14
INSTALLATION .....	9	Economizer Hood and Two-Position Hood .....	14
Jobsite Survey .....	9	Step 9 - Units with Hinged Panels Only .....	15
Step 1 - Plan for Unit Location .....	9	Step 10 - Install External Condensate Trap	
Roof Mount .....	9	and Line .....	15
Step 2 - Plan for Sequence of Unit Installation .....	9	Step 11 - Make Electrical Connections .....	15
Curb-Mounted Installation .....	9	Field Power Supply .....	16
Pad-Mounted Installation .....	9	Units with Factory-Installed	
Frame-Mounted Installation .....	9	Non-Fused Disconnect .....	16
Step 3 - Inspect Unit .....	9	Units without Factory-Installed	
Step 4 - Provide Unit Support .....	9	Non-Fused Disconnect .....	19
Roof Curb Mount .....	9	All Units .....	19
Slab Mount (Horizontal Units Only) .....	10	Convenience Outlets .....	19
Alternate Unit Support		Factory-Option Thru-Base Connections .....	21
(In Lieu of Curb or Slab Mount) .....	10	Units without Thru-Base Connections .....	21
Step 5 - Field Fabricate Ductwork .....	12	Field Control Wiring .....	21
For Units with Accessory Electric Heaters .....	12	Thermostat .....	21
Step 6 - Rig and Place Unit .....	12	Central Terminal Board .....	22
Positioning on Curb .....	12	Commercial Defrost Control .....	22
Step 7 - Convert to Horizontal and Connect		Unit without Thru-Base Connection Kit .....	24
Ductwork .....	13	Heat Anticipator Settings .....	24
		Electric Heaters .....	24
		Single Point Boxes and Supplementary Fuses ...	25
		Single Point Boxes without Fuses .....	25
		Low-Voltage Control Connections .....	25

EconoMiSer® X (Factory-Installed Option) . . . . .	26	Economizer Controls . . . . .	47
Product Description . . . . .	26	Indoor Air Quality (CO <sub>2</sub> sensor) . . . . .	47
System Components . . . . .	26	Outdoor Air Quality Sensor . . . . .	47
Specifications . . . . .	26	Space Relative Humidity Sensor . . . . .	48
W7220 Economizer Module . . . . .	26	Smoke Detector/Fire Shutdown (FSD) . . . . .	48
Electrical . . . . .	26	Filter Status Switch . . . . .	48
Inputs . . . . .	26	Supply Fan Status Switch . . . . .	48
Outputs . . . . .	27	Remote Occupied Switch . . . . .	48
Environmental . . . . .	27	Power Exhaust (output) . . . . .	49
S-Bus Sensor Wiring . . . . .	27	CCN Communication Bus . . . . .	49
CO <sub>2</sub> Sensor Wiring . . . . .	28	RTU Open Controller System . . . . .	50
Interface Overview . . . . .	28	Supply Air Temperature (SAT) Sensor . . . . .	52
User Interface . . . . .	28	Outdoor Air Temperature (OAT) Sensor . . . . .	52
Keypad . . . . .	28	EconoMiSer2 . . . . .	52
Menu Structure . . . . .	29	Field Connections . . . . .	52
Setup and Configuration . . . . .	29	Space Temperature (SPT) Sensors . . . . .	53
Time-out and Screensaver . . . . .	29	Indoor Air Quality (CO <sub>2</sub> ) Sensor . . . . .	53
Sequence of Operation . . . . .	35	Outdoor Air Quality Sensor . . . . .	54
Enthalpy Settings . . . . .	39	Space Relative Humidity Sensor . . . . .	54
Two-Speed Fan Operation . . . . .	39	Smoke Detector/Fire Shutdown (FSD) . . . . .	54
Checkout . . . . .	40	Connecting Discrete Inputs . . . . .	54
Power Up . . . . .	40	Communication Wiring - Protocols . . . . .	54
Initial Menu Display . . . . .	40	General . . . . .	54
Power Loss (Outage or Brownout) . . . . .	40	Local Access . . . . .	55
Status . . . . .	40	RTU Open Controller Troubleshooting . . . . .	55
Checkout Tests . . . . .	40	Outdoor Air Enthalpy Control . . . . .	57
Troubleshooting . . . . .	40	Differential Enthalpy Control . . . . .	57
Alarms . . . . .	40	Return Air Enthalpy Sensor . . . . .	57
Clearing Alarms . . . . .	40	Smoke Detectors . . . . .	57
PremierLink™ Controller (Factory Option) . . . . .	41	Step 12 - Adjust Factory-Installed Options . . . . .	63
Supply Air Temperature (SAT) Sensor . . . . .	43	Step 13 - Install Accessories . . . . .	63
Outdoor Air Temperature (OAT) Sensor . . . . .	43	Step 14 - Check Belt Tension . . . . .	64
EconoMiSer2 . . . . .	43	UNIT START-UP CHECKLIST . . . . .	67
Field Connections . . . . .	43		
Space Sensors . . . . .	46		
Connect Thermostat . . . . .	46		
Configure the Unit for Thermostat Mode . . . . .	46		

## SAFETY CONSIDERATIONS

Improper installation, adjustment, alteration, service, maintenance, or use can cause explosion, fire, electrical shock or other conditions which may cause personal injury or property damage. Consult a qualified installer, service agency, or your distributor or branch for information or assistance. The qualified installer or agency must use factory-authorized kits or accessories when modifying this product. Refer to the individual instructions packaged with the kits or accessories when installing.

Follow all safety codes. Wear safety glasses and work gloves. Use quenching cloths for brazing operations and have a fire extinguisher available. Read these instructions thoroughly and follow all warnings or cautions attached to the unit. Consult local building codes and appropriate national electrical codes (in USA, ANSI/NFPA70, National Electrical Code (NEC); in Canada, CSA C22.1) for special requirements.

It is important to recognize safety information. This is the safety-alert symbol . When you see this symbol on the unit and in instructions or manuals, be alert to the potential for personal injury.

Understand the signal words DANGER, WARNING, CAUTION, and NOTE. These words are used with the safety-alert symbol. DANGER identifies the most serious hazards which **will** result in severe personal injury or death. WARNING signifies hazards which **could** result in personal injury or death. CAUTION is used to identify unsafe practices, which **may** result in minor personal injury or product and property damage. NOTE is used to highlight suggestions which **will** result in enhanced installation, reliability, or operation.

### WARNING

#### ELECTRICAL SHOCK HAZARD

Failure to follow this warning could cause personal injury or death.

Before performing service or maintenance operations on unit, always turn off main power switch to unit and install lockout tag. Unit may have more than one power switch.

### WARNING

#### UNIT OPERATION AND SAFETY HAZARD

Failure to follow this warning could cause personal injury, death and/or equipment damage.

Puron® (R-410A) refrigerant systems operate at higher pressures than standard R-22 systems. Do not use R-22 service equipment or components on Puron refrigerant equipment.

### WARNING

#### PERSONAL INJURY AND ENVIRONMENTAL HAZARD

Failure to follow this warning could cause personal injury or death.

Relieve pressure and recover all refrigerant before system repair or final unit disposal.

Wear safety glasses and gloves when handling refrigerants. Keep torches and other ignition sources away from refrigerants and oils.

### CAUTION

#### CUT HAZARD

Failure to follow this caution may result in personal injury.

Sheet metal parts may have sharp edges or burrs. Use care and wear appropriate protective clothing, safety glasses and gloves when handling parts and servicing heat pump units.

## Rated Indoor Airflow (cfm)

The table to the right lists the rated indoor airflow used for the AHRI efficiency rating for the units covered in this document.

Model Number	Full Load Airflow (cfm)
50TCQD08	3000
50TCQD09	3400

Position:	1	2	3	4	5	6	7	8	9	10	11	12	13	14	15	16	17	18
Example:	5	0	T	C	Q	D	0	8	A	1	A	6	-	0	B	2	A	0

**Unit/Series/Model**  
50TCQ - Packaged Rooftop Heat Pump

**Refrig. Systems Options**  
D = Two Stage Cooling Models

**Cooling Tons**  
08 - 7.5 ton  
09 - 8.5 ton

**Sensor Options**  
A = None  
B = RA Smoke Detector  
C = SA Smoke Detector  
D = RA + SA Smoke Detector  
E = CO<sub>2</sub>  
F = RA Smoke Detector and CO<sub>2</sub>  
G = SA Smoke Detector and CO<sub>2</sub>  
H = RA + SA Smoke Detector and CO<sub>2</sub>

**Indoor Fan Options**  
1 = Standard Static Option – Belt Drive  
2 = Medium Static Option – Belt Drive  
3 = High Static Option – Belt Drive

**Coil Options (Outdoor - Indoor - Hail Guard)**  
A = Al/Cu - Al/Cu  
B = Precoat Al/Cu - Al/Cu  
C = E-coat Al/Cu - Al/Cu  
D = E-coat Al/Cu - E-coat Al/Cu  
E = Cu/Cu - Al/Cu  
F = Cu/Cu - Cu/Cu  
M = Al/Cu -Al/Cu — Louvered Hail Guard  
N = Precoat Al/Cu - Al/Cu — Louvered Hail Guard  
P = E-coat Al/Cu - Al/Cu — Louvered Hail Guard  
Q = E-coat Al/Cu - E-coat Al/Cu — Louvered Hail Guard  
R = Cu/Cu - Al/Cu — Louvered Hail Guard  
S = Cu/Cu - Cu/Cu — Louvered Hail Guard

**Voltage**  
1 = 575/3/60  
5 = 208-230/3/60  
6 = 460/3/60

**Design Revision**  
- = Factory Design Revision

**Packaging and Seismic Compliant**  
0 = Standard  
1 = LTL  
3 = CA Seismic Compliant  
4 = LTL and CA Seismic Compliant

**Electrical Options**  
A = None  
C = Non-Fused Disconnect  
D = Thru-The-Base Connections  
F = Non-Fused Disconnect and Thru-The-Base Connections  
G = 2-Speed Indoor Fan (VFD) Controller  
J = 2-Speed Indoor Fan (VFD) Controller and Non-Fused Disconnect  
K = 2-Speed Indoor Fan (VFD) Controller and Thru-The-Base Connections  
M = 2-Speed Indoor Fan (VFD) Controller with Non-Fused Disconnect and Thru-The-Base Connections

**Service Options**  
0 = None  
1 = Unpowered Convenience Outlet  
2 = Powered Convenience Outlet  
3 = Hinged Panels  
4 = Hinged Panels and Unpowered Convenience Outlet  
5 = Hinged Panels and Powered Convenience Outlet

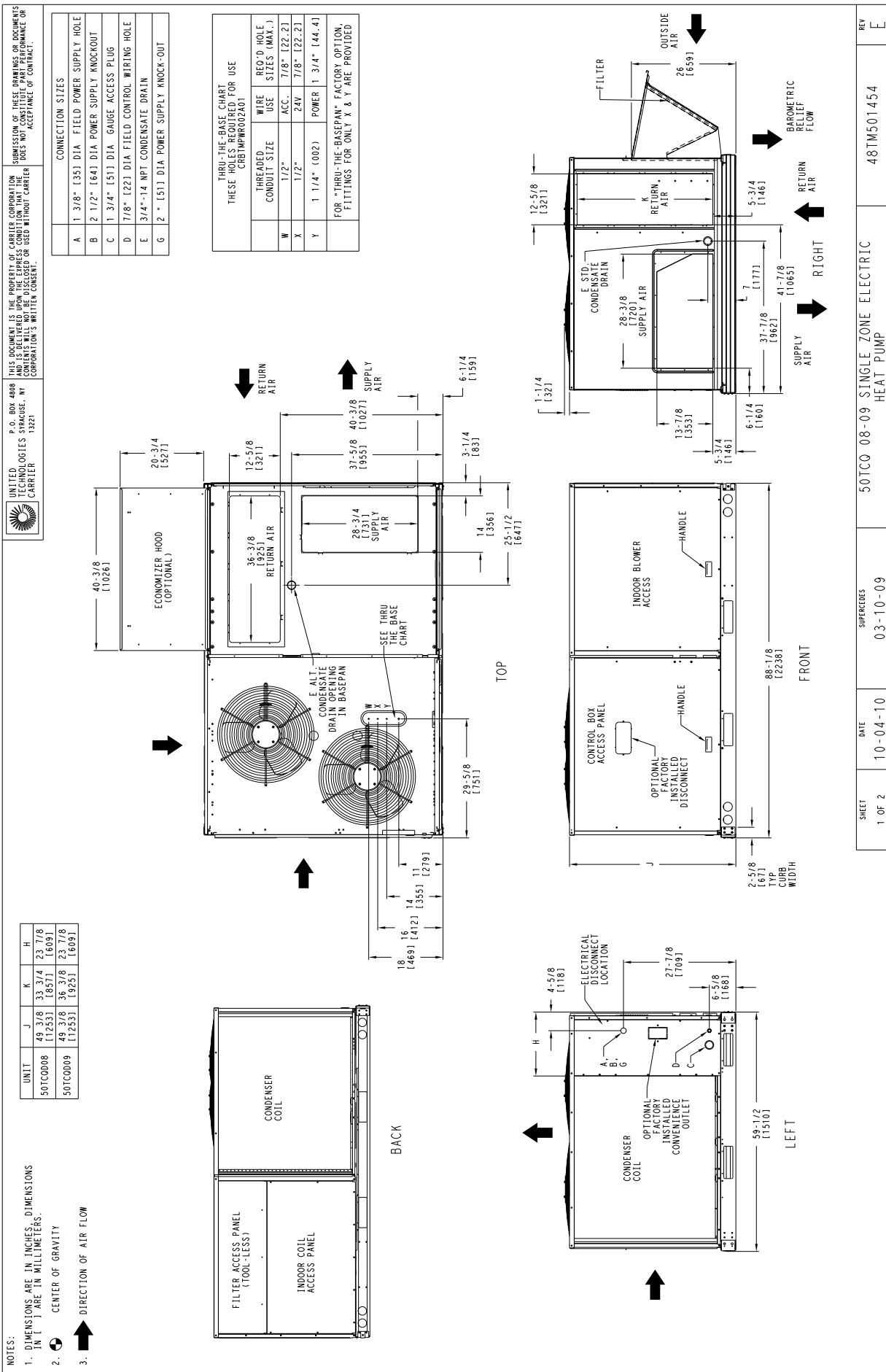
**Intake / Exhaust Options**  
A = None  
B = Temperature Economizer w/ Barometric Relief  
F = Enthalpy Economizer w/ Barometric Relief  
K = 2-Position Damper  
U = Temperature Ultra Low Leak Economizer w/ Barometric Relief  
W = Enthalpy Ultra Low Leak Economizer w/ Barometric Relief

**Base Unit Controls**  
0 = Electro-mechanical Controls can be used with W7212 EconoMi\$er® IV (Non-Fault Detection and Diagnostic)  
1 = PremierLink™ Controller\*  
2 = RTU Open Multi-Protocol Controller  
6 = Electro-mechanical with W7220 Economizer controller Controls. Can be used with W7220 EconoMi\$er X (with Fault Detection and Diagnostic)

\* PremierLink controller can not be used with Staged Air Volume (SAV™) 2-speed indoor fan motor. It is recommended with models using Staged Air Volume (SAV) 2-speed indoor fan motor control that the EconoMi\$er X system be used because it contains two ventilation set points, one for each fan speed.

a50-9653

**Fig. 1 - 50TCQD08-09 Model Number Nomenclature (Example)**



**Fig. 2 - Unit Dimensional Drawing – 08 and 09 Size Units**

UNITED TECHNOLOGIES STRACURE, NY CORPORATION'S CARRIER

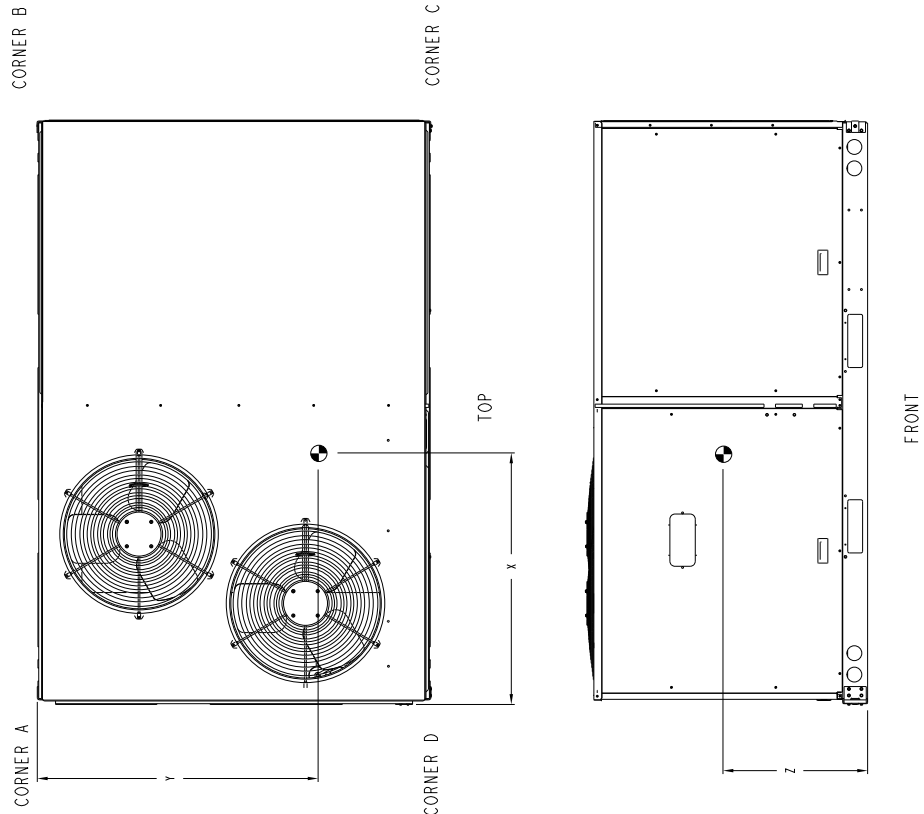
P. O. BOX 4808  
13221

THIS DOCUMENT IS THE PROPERTY OF CARRIER CORPORATION AND IS DELIVERED UPON THE EXPRESS CONDITION THAT THE USER WILL NOT REPRODUCE OR USE WITHOUT CARRIER CORPORATION'S WRITTEN CONSENT.

REVISION OF THESE DRAWINGS OR DOCUMENTS DOES NOT CONSTITUTE PART PERFORMANCE OR ACCEPTANCE OF CONTRACT.

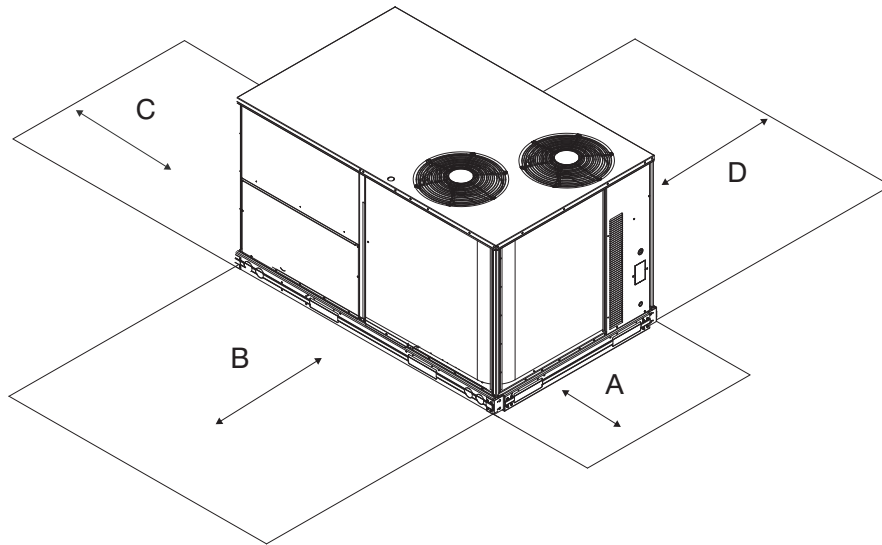
\*\*\* STANDARD UNIT WEIGHT IS WITHOUT ELECTRIC HEAT AND WITHOUT PACKAGING. FOR OTHER OPTIONS AND ACCESSORIES, REFER TO THE PRODUCT DATA CATALOG.

UNIT	STD. UNIT WEIGHT		CORNER WEIGHT (A)		CORNER WEIGHT (B)		CORNER WEIGHT (C)		CORNER WEIGHT (D)		C. G.								
	LBS.	KG.	LBS.	KG.	LBS.	KG.	LBS.	KG.	LBS.	KG.	X	Y	Z						
50TC0008	885	401	187	85	158	72	247	112	293	133	39	15/16	101/4	35	1/4	189/5	23	1/2	159/7
50TC0009	910	413	200	91	166	75	247	112	297	135	39	5/8	11006	34	1/2	1876	23	1/2	159/7



SHEET	DATE	SUPERSEDES	REV
2 OF 2	10-04-10	50TC0 08-09 SINGLE ZONE ELECTRIC HEAT PUMP 03-10-09	48TM501454 E

Fig. 2 - Unit Dimensional Drawing - 08 and 09 Size Unit (cont.)



C11247

LOCATION	DIMENSION	CONDITION
A	48-in (1219 mm) 18-in (457 mm) 18-in (457 mm) 12-in (305 mm)	Unit disconnect is mounted on panel No disconnect, convenience outlet option Recommended service clearance Minimum clearance
B	42-in (1067 mm) 36-in (914 mm) Special	Surface behind servicer is grounded (e.g., metal, masonry wall) Surface behind servicer is electrically non-conductive (e.g., wood, fiberglass) Check sources of flue products within 10-ft of unit fresh air intake hood
C	36-in (914 mm) 18-in (457 mm)	Side condensate drain is used Minimum clearance
D	42-in (1067 mm) 36-in (914 mm)	Surface behind servicer is grounded (e.g., metal, masonry wall, another unit) Surface behind servicer is electrically non-conductive (e.g., wood, fiberglass)

**NOTE:** Unit not designed to have overhead obstruction. Contact Application Engineering for guidance on any application planning overhead obstruction or for vertical clearances.

**Fig. 3 - Service Clearance Dimensional Drawing**

## REFRIGERATION SYSTEM COMPONENTS

Each heat pump refrigeration system includes a compressor, accumulator, reversing valve, dual-function outdoor coil with vapor header check valve, cooling liquid line with a filter drier and a check valve, dual-function indoor coil with a vapor header check valve, and heating liquid line with a check valve and a strainer. Size 08 and 09 units have two compressor-circuits. See Fig. 4 for typical unit piping schematic (4-row indoor coil with two compressor-circuits is shown).

Dual-function outdoor and indoor coils are designed to provide parallel coil circuits during evaporator-function operation and converging coil circuits during the condenser-function operation.

### Reversing Valve and Check Valve Position

See Fig. 4 (on page 8) and Tables 1-3.

### Troubleshooting Refrigerant Pressure Problems and Check Valves

Refer to Fig. 4 and the Cooling Mode and Heating Mode tables (Tables 1 and 2).

### Refrigerant System Pressure Access Ports

There are two access ports in each circuit - on the suction tube and the discharge tube near the compressor. These are brass fittings with black plastic caps. The hose connection fittings are standard 1/4-in. SAE male flare couplings.

The brass fittings are two-piece High Flow valves, with a receptacle base brazed to the tubing and an integral spring-closed check valve core screwed into the base. See Fig. 5 on page 8. This check valve is permanently assembled into this core body and cannot be serviced separately. Replace the entire core body if necessary. Service tools are available from RCD that allow the replacement of the check valve core without having to recover the entire system refrigerant charge. Apply compressor refrigerant oil to the check valve core's bottom O-ring. Install the fitting body and torque to 96 ±10 in-lbs (10.9 ± 1 Nm). Do not exceed 106 in-lbs (11.9 Nm) when tightening.

**Table 1 – Cooling Mode (each circuit)**

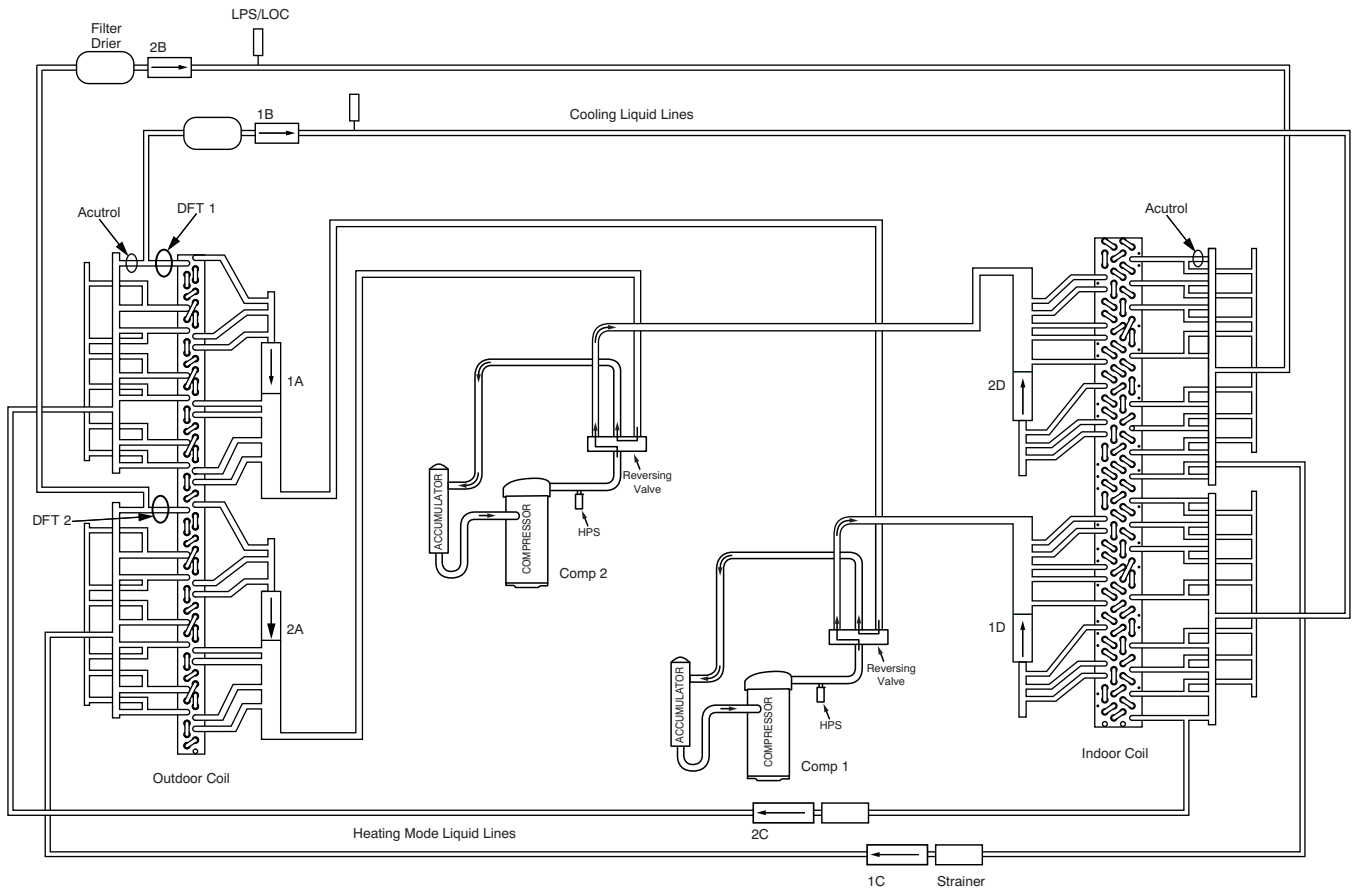
Component	Status/Position
Reversing Valve	Energized
Check Valve A	Closed
Check Valve B	Open
Check Valve C	Closed
Check Valve D	Open

**Table 2 – Heating Mode (each circuit)**

Component	Status/Position
Reversing Valve	De-energized
Check Valve A	Open
Check Valve B	Closed
Check Valve C	Open
Check Valve D	Closed

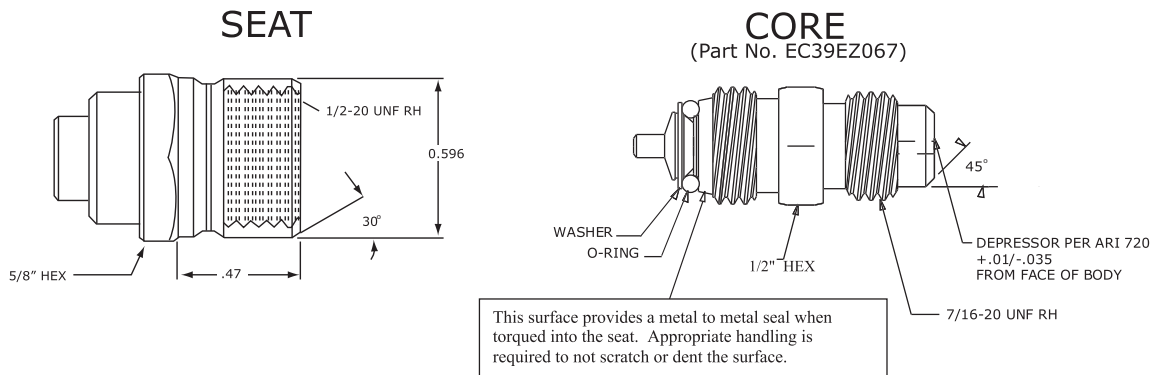
**Table 3 – Defrost Mode**

Component	Status/Position
Defrost Thermostat	Closed
Outdoor Fan(s)	Off
Reversing Valve	Energized
Check Valve A	Closed
Check Valve B	Open
Check Valve C	Closed
Check Valve D	Open



C160139

**Fig. 4 - Typical Unit Piping Schematic**



C08453

**Fig. 5 - CoreMax\* Access Port Assembly**

\* CoreMax is a registered trademark of Fastest, Inc.



# INSTALLATION

## Jobsite Survey

Complete the following checks before installation.

1. Consult local building codes and the NEC (National Electrical Code) ANSI/NFPA 70 for special installation requirements.
2. Determine unit location (from project plans) or select unit location.
3. Check for possible overhead obstructions which may interfere with unit lifting or rigging.

### Step 1 — Plan for Unit Location

Select a location for the unit and its support system (curb or other) that provides for the minimum clearances required for safety. This includes the clearance to combustible surfaces, unit performance and service access below, around and above unit as specified in unit drawings. See Fig. 3.

**NOTE:** Consider also the effect of adjacent units.

Unit may be installed directly on wood flooring or on Class A, B, or C roof-covering material when roof curb is used.

Do not install unit in an indoor location. Do not locate air inlets near exhaust vents or other sources of contaminated air.

Although unit is weatherproof, avoid locations that permit water from higher level runoff and overhangs to fall onto the unit.

Select a unit mounting system that provides adequate height to allow for removal and disposal of frost and ice that will form during the heating-defrost mode as well as allow installation of condensate trap per requirements. Refer to Step 10 — Install External Condensate Trap and Line – for required trap dimensions.

### Roof Mount —

Check building codes for weight distribution requirements. Unit operating weight is shown in Table 4.

**Table 4 – Operating Weights**

50TCQD Component	UNITS LB (KG)	
	D08	D09
Base Unit	885 (401)	910 (413)
Economizer		
Vertical	80 (36)	80 (36)
Horizontal	105 (48)	105 (48)
Powered Outlet	32 (15)	32 (15)
Curb		
14-in/356 mm	143 (65)	143 (65)
24-in/610 mm	153 (69)	153 (69)

### Step 2 — Plan for Sequence of Unit Installation

The support method used for this unit will dictate different sequences for the steps of unit installation. For example, on curb-mounted units, some accessories must be installed on

the unit before the unit is placed on the curb. Review the following for recommended sequences for installation steps.

### Curb-Mounted Installation —

- Install curb
- Install field-fabricated ductwork inside curb
- Install accessory thru-base service connection package (affects curb and unit) (refer to accessory installation instructions for details)
- Prepare bottom condensate drain connection to suit planned condensate line routing (refer to Step 10 for details)
- Rig and place unit
- Install outdoor air hood
- Install condensate line trap and piping
- Make electrical connections
- Install other accessories

### Pad-Mounted Installation —

- Prepare pad and unit supports
- Check and tighten the bottom condensate drain connection plug
- Rig and place unit
- Convert unit to side duct connection arrangement
- Install field-fabricated ductwork at unit duct openings
- Install outdoor air hood
- Install condensate line trap and piping
- Make electrical connections
- Install other accessories

### Frame-Mounted Installation —

Frame-mounted applications generally follow the sequence for a curb installation. Adapt as required to suit specific installation plan.

### Step 3 — Inspect Unit

Inspect unit for transportation damage. File any claim with transportation agency.

Confirm before installation of unit that voltage, amperage and circuit protection requirements listed on unit data plate agree with power supply provided.

On units with hinged panel option, check to be sure all latches are snug and in closed position.

Locate the carton containing the outside air hood parts; see Fig. 11 (on page 14). Do not remove carton until unit has been rigged and located in final position.

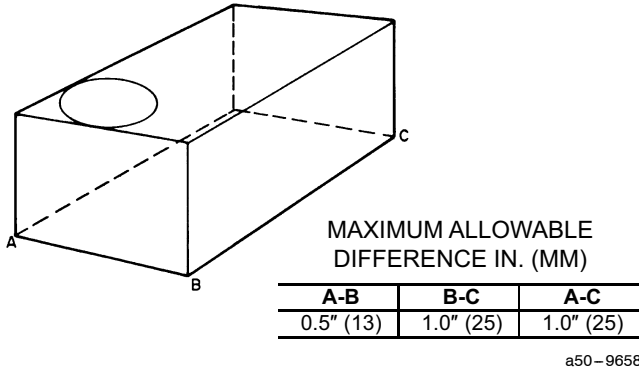
### Step 4 — Provide Unit Support

#### Roof Curb Mount —

Accessory roof curb details and dimensions are shown in Fig. 7 (on page 11). Assemble and install accessory roof curb in accordance with instructions shipped with the curb.

**NOTE:** The gasketing of the unit to the roof curb is critical for a watertight seal. Install gasket supplied with the roof curb as shown in Fig. 7. Improperly applied gasket can also result in air leaks and poor unit performance.

Curb should be level. This is necessary for unit drain to function properly. Unit leveling tolerances are shown in Fig. 6. Refer to Accessory Roof Curb Installation Instructions for additional information as required.



**Fig. 6 - Unit Leveling Tolerances**

Install insulation, cant strips, roofing felt, and counter flashing as shown. *Ductwork must be attached to curb and not to the unit. The accessory thru-the-base power package must be installed before the unit is set on the roof curb.*

If electric and control wiring is to be routed through the basepan, attach the accessory thru-the-base service connections to the basepan in accordance with the accessory installation instructions.

**Slab Mount (Horizontal Units Only) —**

Provide a level concrete slab that extends a minimum of 6 in. (150 mm) beyond unit cabinet. Install a gravel apron in front of condenser coil air inlet to prevent grass and foliage from obstructing airflow.

**NOTE:** Horizontal units may be installed on a roof curb if required.

**Alternate Unit Support (In Lieu of Curb or Slab Mount) —**

A non-combustible sleeper rail can be used in the unit curb support area. If sleeper rails cannot be used, support the long sides of the unit with a minimum of 3 equally spaced 4-in. x 4-in. (102 mm x 102 mm) pads on each side.

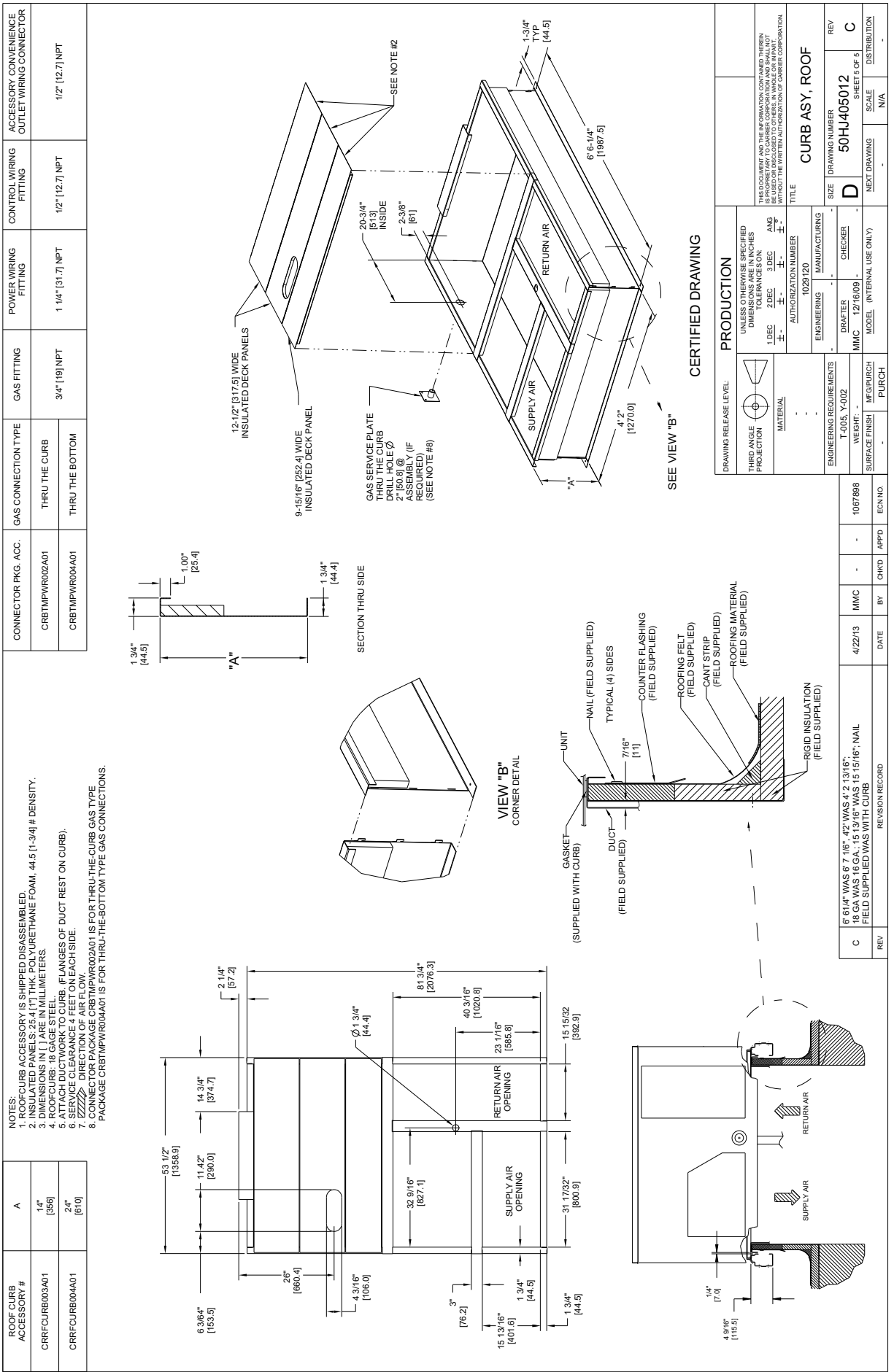


Fig. 7 - Roof Curb Details

## Step 5 — Field Fabricate Ductwork

Cabinet return-air static pressure (a negative condition) shall not exceed 0.35 in. wg (87 Pa) with economizer or 0.45 in. wg (112 Pa) without economizer.

For vertical ducted applications, secure all ducts to roof curb and building structure. *Do not connect ductwork to unit.*

Fabricate supply ductwork so that the cross sectional dimensions are equal to or greater than the unit supply duct opening dimensions for the first 18 in. (458 mm) of duct length from the unit basepan.

Insulate and weatherproof all external ductwork, joints, and roof openings with counter flashing and mastic in accordance with applicable codes.

Ducts passing through unconditioned spaces must be insulated and covered with a vapor barrier.

If a plenum return is used on a vertical unit, the return should be ducted through the roof deck to comply with applicable fire codes.

### ⚠ CAUTION

#### PROPERTY DAMAGE HAZARD

Failure to follow this caution may result in damage to roofing materials.

Membrane roofs can be cut by sharp sheet metal edges. Be careful when placing any sheet metal parts on such roof.

## For Units with Accessory Electric Heaters —

All installations require a minimum clearance to combustible surfaces of 1-in. (25 mm) from duct for first 12-in. (305 mm) away from unit.

Outlet grilles must not lie directly below unit discharge.

### ⚠ WARNING

#### PERSONAL INJURY HAZARD

Failure to follow this warning could cause personal injury.

For vertical supply and return units, tools or parts could drop into ductwork and cause an injury. Install a 90-degree turn in the return ductwork between the unit and the conditioned space. If a 90-degree elbow cannot be installed, then a grille of sufficient strength and density should be installed to prevent objects from falling into the conditioned space. Due to electric heater, supply duct will require 90-degree elbow.

## Step 6 — Rig and Place Unit

Keep unit upright and do not drop. Spreader bars are not required if top crating is left on unit. Rollers may be used to move unit across a roof. Level by using unit frame as a reference. See Table 4 (on page 9) and Fig. 8 (on page 13) for additional information.

Lifting holes are provided in base rails as shown in Fig. 8. Refer to rigging instructions on unit.

Rigging materials under unit (cardboard or wood) must be removed PRIOR to placing the unit on the roof curb.

When using the standard side drain connection, ensure the red plug in the alternate bottom connection is tight. Do this before setting the unit in place. The red drain pan can be tightened with a 1/2-in. square socket drive extension. For further details see Step 10 - Install External Condensate Trap and Line on page 15.

Before setting the unit onto the curb, recheck gasketing on curb.

### ⚠ CAUTION

#### UNIT DAMAGE HAZARD

Failure to follow this caution may result in equipment damage.

All panels must be in place when rigging. Unit is not designed for handling by fork truck.

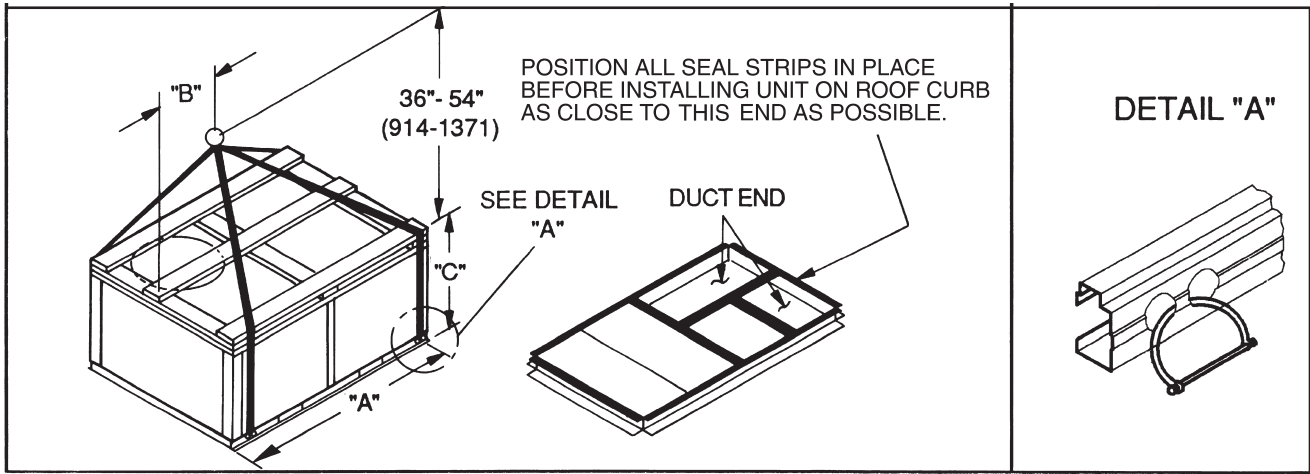
## Positioning on Curb —

Position unit on roof curb so that the following clearances are maintained: 1/4 in. (6.4 mm) clearance between the roof curb and the base rail inside the front and rear, 0.0 in. clearance between the roof curb and the base rail inside on the duct end of the unit. This will result in the distance between the roof curb and the base rail inside on the condenser end of the unit being approximately 1/4 in. (6.4 mm).

Although unit is weatherproof, guard against water from higher level runoff and overhangs.

After unit is in position, remove the compressor access panel. Holding the blocking between compressors with one hand, cut the strapping. Carefully remove the blocking without damaging tubing, wiring, or controls. Remove the strapping and replace the access panel.

Remove all shipping materials and top skid. Recycle or dispose of all shipping materials.



C06005

UNIT	MAX WEIGHT		DIMENSIONS					
			A		B		C	
	LB	KG	IN	MM	IN	MM	IN	MM
50TCQD08	1235	560	88.13	2238	39.94	1014	49.38	1253
50TCQD09	1260	572	88.13	2238	39.63	1006	49.38	1253

**NOTES:**

1. Dimensions in ( ) are in millimeters.
2. Hook rigging shackles through holes in base rail, as shown in detail "A." Holes in base rails are centered around the unit center of gravity. Use wooden top to prevent rigging straps from damaging unit.

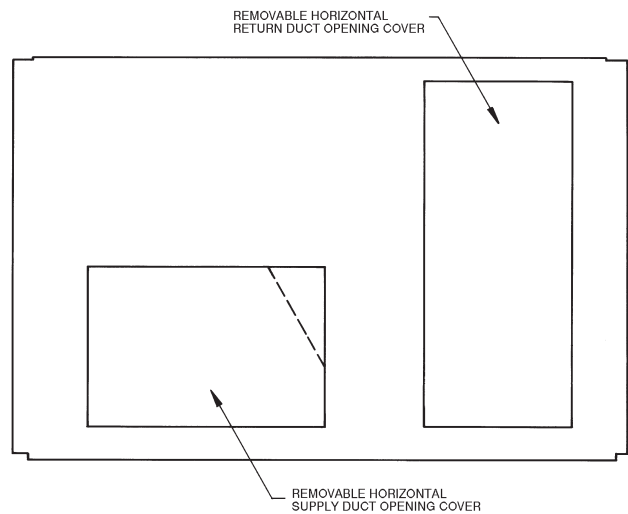
**Fig. 8 - Rigging Details**

**Step 7 — Convert to Horizontal and Connect Ductwork (when required)**

Unit is shipped in the vertical duct configuration. Unit *without* factory-installed economizer or return air smoke detector option may be field-converted to horizontal ducted configuration. To convert to horizontal configuration, remove screws from side duct opening covers and remove covers. Using the same screws, install covers on vertical duct openings with the insulation-side down. Seals around duct openings must be tight. See Fig. 9.

Field-supplied flanges should be attached to horizontal duct openings and all ductwork should be secured to the flanges. Insulate and weatherproof all external ductwork, joints, and roof or building openings with counter flashing and mastic in accordance with applicable codes.

Do not cover or obscure visibility to the unit’s informative data plate when insulating horizontal ductwork.



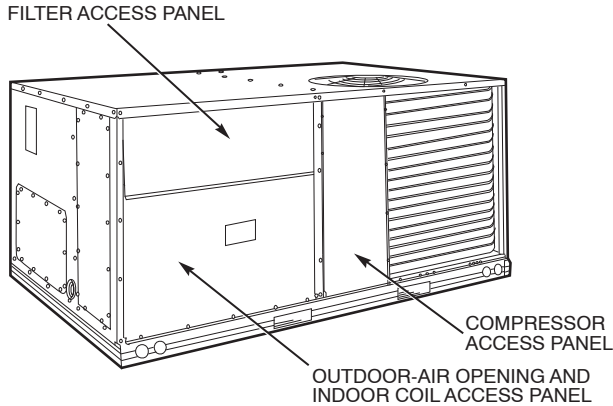
C06108

**Fig. 9 - Horizontal Conversion Panels**

## Step 8 — Install Outside Air Hood

### Economizer and Two Position Damper Hood Package Removal and Setup - Factory Option

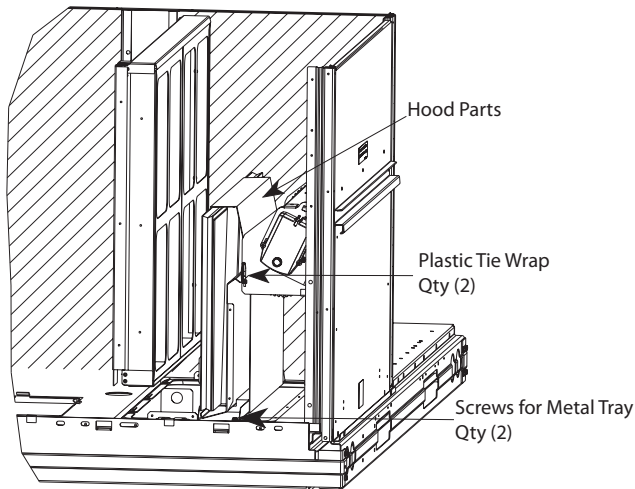
1. The hood is shipped in knock-down form and must be field assembled. The indoor coil access panel is used as the hood top while the hood sides, divider and filter are packaged together, attached to a metal support tray using plastic stretch wrap, and shipped in the return air compartment behind the indoor coil access panel. The hood assembly's metal tray is attached to the basepan and also attached to the damper using two plastic tie-wraps.
2. To gain access to the hood, remove the filter access panel. (See Fig. 10.)



**Fig. 10 - Typical Access Panel Locations**

C06023

3. Locate the (2) screws holding the metal tray to the basepan and remove. Locate and cut the (2) plastic tie-wraps securing the assembly to the damper. (See Fig. 11.) Be careful to not damage any wiring or cut tie-wraps securing any wiring.



**Fig. 11 - Economizer and Two-Position Damper Hood Parts Location**

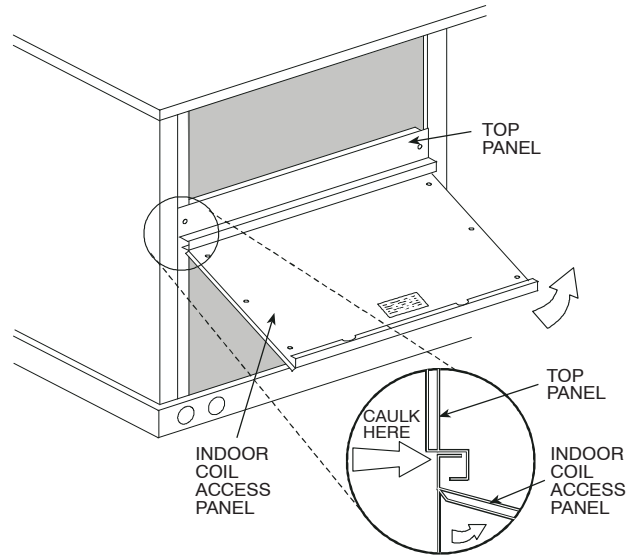
C08639

4. Carefully lift the hood assembly (with metal tray) through the filter access opening and assemble per the steps outlined in *Economizer Hood and Two-Position Hood*.

### Economizer Hood and Two-Position Hood —

**NOTE:** If the power exhaust accessory is to be installed on the unit, the hood shipped with the unit will not be used and must be discarded. Save the aluminum filter for use in the power exhaust hood assembly.

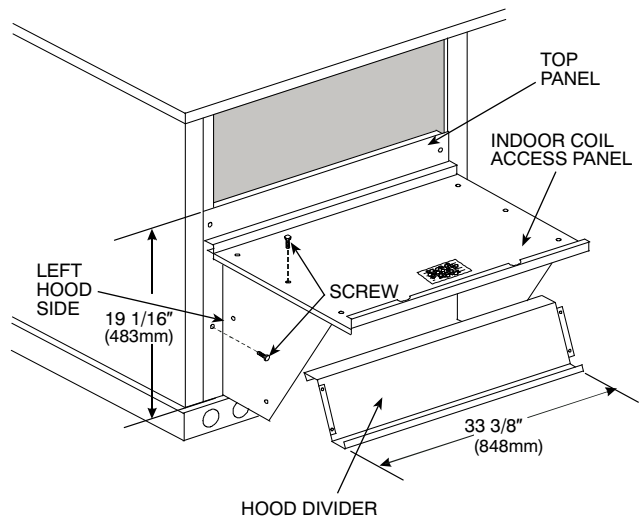
1. The indoor coil access panel will be used as the top of the hood. Remove the screws along the sides and bottom of the indoor coil access panel. (See Fig. 12.)



**Fig. 12 - Indoor Coil Access Panel Relocation**

C06025

2. Swing out indoor coil access panel and insert the hood sides under the panel (hood top). Use the screws provided to attach the hood sides to the hood top. Use screws provided to attach the hood sides to the unit. (See Fig. 13.)

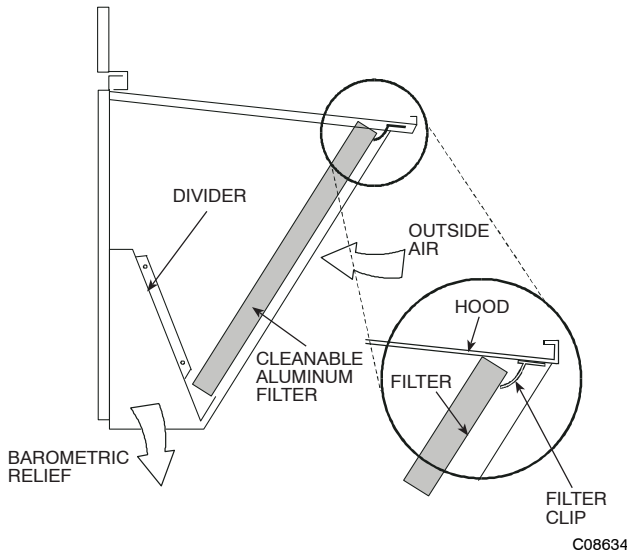


**Fig. 13 - Economizer Hood Construction**

a50-9659

3. Remove the shipping tape holding the economizer barometric relief damper in place (economizer only).
4. Insert the hood divider between the hood sides. (See Fig. 13 and 14.) Secure hood divider with 2 screws on each hood side. The hood divider is also used as the bottom filter rack for the aluminum filter.

- Open the filter clips which are located underneath the hood top. Insert the aluminum filter into the bottom filter rack (hood divider). Push the filter into position past the open filter clips. Close the filter clips to lock the filter into place. See Fig. 14.
- Caulk the ends of the joint between the unit top panel and the hood top.
- Replace the filter access panel.

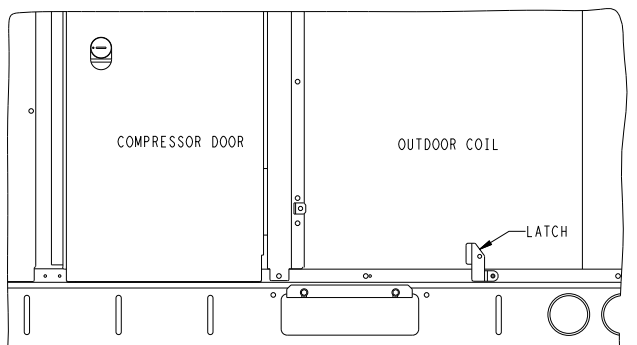


**Fig. 14 - Economizer Filter Installation**

### Step 9 — Units with Hinged Panels Only

Relocate latch shipped inside the compressor compartment behind the hinged compressor door to location shown in Fig. 15 after unit installation.

If the unit does not have hinged panels, skip this step and continue at step 10.

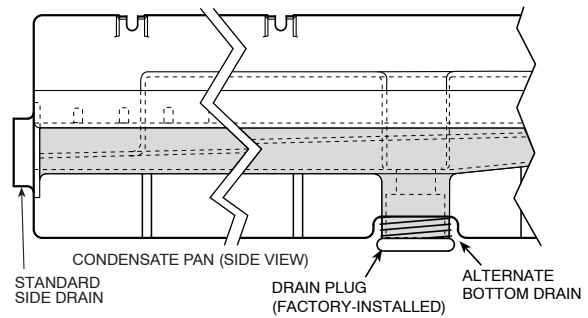


**Fig. 15 - Compressor Door Latch Location**

### Step 10 — Install External Condensate Trap and Line

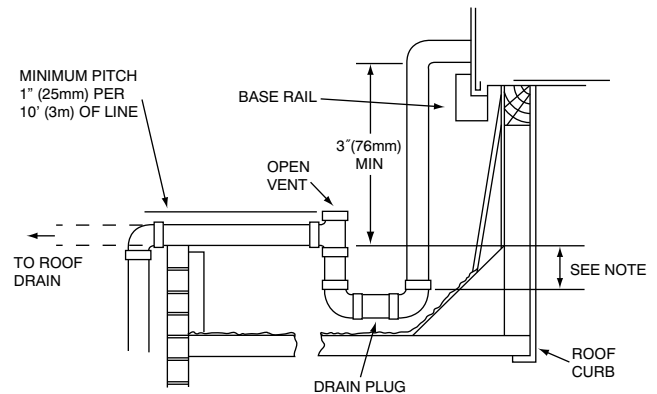
The unit has one  $\frac{3}{4}$ -in. condensate drain connection on the end of the condensate pan and an alternate connection on the bottom. See Fig. 16. Unit airflow configuration does not determine which drain connection to use. Either drain connection can be used with vertical or horizontal applications.

To use the alternate bottom drain connection, remove the red drain plug from the bottom connection (use a  $\frac{1}{2}$ -in. square socket drive extension) and install it in the side drain connection.



**Fig. 16 - Condensate Drain Pan (Side View)**

The piping for the condensate drain and external trap can be completed after the unit is in place. See Fig. 17.



NOTE: Trap should be deep enough to offset maximum unit static difference. A 4 in. (102 mm) trap is recommended.

**Fig. 17 - Condensate Drain Piping Details**

*All units must have an external trap for condensate drainage. Install a trap at least 4-in. (102 mm) deep and protect against freeze-up. If drain line is installed downstream from the external trap, pitch the line away from the unit at 1-in. per 10 ft (25 mm in 3 m) of run. Do not use a pipe size smaller than the unit connection ( $\frac{3}{4}$ -in.).*

### Step 11 — Make Electrical Connections

## ⚠ WARNING

### ELECTRICAL SHOCK HAZARD

Failure to follow this warning could result in personal injury or death.

Unit cabinet must have an uninterrupted, unbroken electrical ground to minimize the possibility of personal injury if an electrical fault should occur. This ground may consist of electrical wire connected to unit ground lug in control compartment, or conduit approved for electrical ground when installed in accordance with NEC; ANSI/NFPA 70, latest edition (in Canada, Canadian Electrical Code CSA [Canadian Standards Association] C22.1), and local electrical codes.

NOTE: Field-supplied wiring shall conform with the limitations of 63°F (33°C) rise.

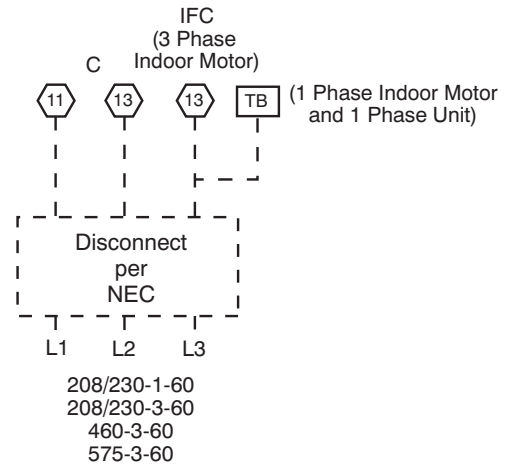
## Field Power Supply —

If equipped with optional powered convenience outlet: The power source leads to the convenience outlet's transformer primary are not factory connected. Installer must connect these leads according to required operation of the convenience outlet. If an always-energized convenience outlet operation is desired, connect the source leads to the line side of the unit-mounted disconnect. (Check with local codes to ensure this method is acceptable in your area.) If a de-energize via unit disconnect switch operation of the convenience outlet is desired, connect the source leads to the load side of the unit disconnect. On a unit without a unit-mounted disconnect, connect the source leads to compressor contactor C and indoor fan contactor IFC pressure lugs with unit field power leads.

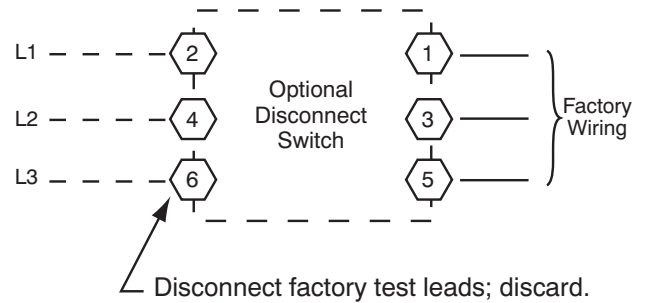
Field power wires are connected to the unit at line-side pressure lugs on compressor contactor C and indoor fan contactor IFC or terminal board (see wiring diagram label for control box component arrangement) or at factory-installed option non-fused disconnect switch. Maximum wire size is #2 AWG (copper only). (See Fig. 19.)

**NOTE: TEST LEADS -** Unit may be equipped with short leads (pigtailed) on the field line connection points on contactor C or optional disconnect switch. These leads are for factory run-test purposes only; remove and discard before connecting field power wires to unit connection points. Make field power connections directly to line connection pressure lugs only.

## Units Without Disconnect Option



## Units With Disconnect Option



C09011

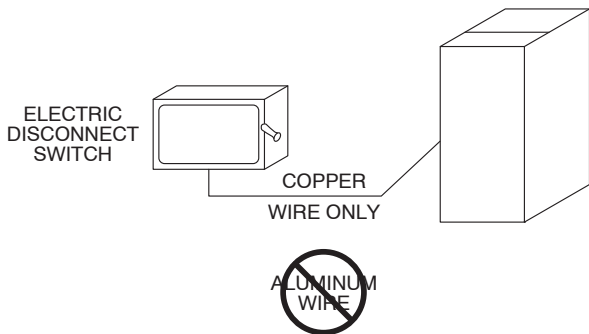
**Fig. 19 - Power Wiring Connections**

**⚠ WARNING**

**FIRE HAZARD**

Failure to follow this warning could result in intermittent operation or performance satisfaction.

Do not connect aluminum wire between disconnect switch and furnace. Use only copper wire. (See Fig. 18.)

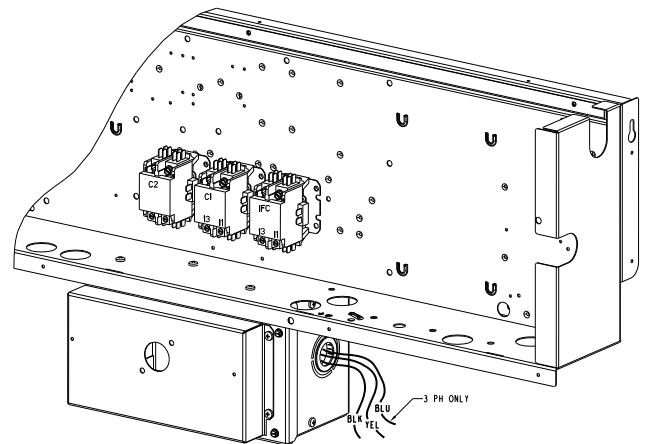


A93033

**Fig. 18 - Disconnect Switch and Unit**

## Units with Factory-Installed Non-Fused Disconnect —

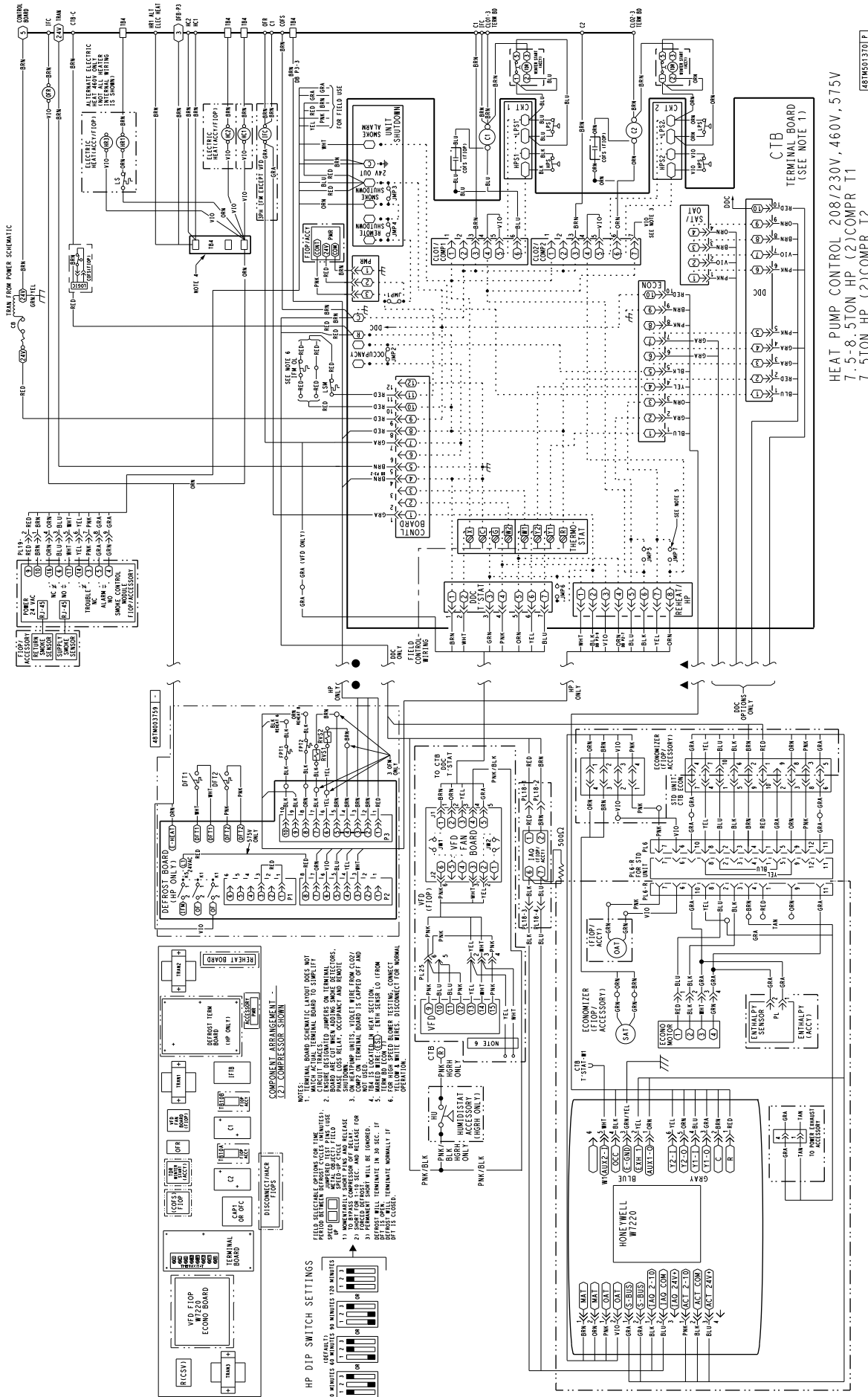
The factory-installed option non-fused disconnect (NFD) switch is located in a weatherproof enclosure located under the main control box (see Fig. 20). The manual switch handle and shaft are shipped in the disconnect enclosure. Assemble the shaft and handle to the switch at this point. Discard the factory test leads (see Fig. 19).



C12284

**Fig. 20 - Location of Non-Fused Disconnect Enclosure**





HEAT PUMP CONTROL 208/230V, 460V, 575V  
7.5-8.5TON HP (2)COMPR T1  
7.5TON HP (2)COMPR T2

46TMS013701 P

Fig. 21 - Typical 50TCQ Control Wiring Diagram

HP POWER 208/230V, 460V, 575V 3 PH. 7.5-8.5TON HP (1)COMPR T1  
7.5TON HP (1)COMPR T2

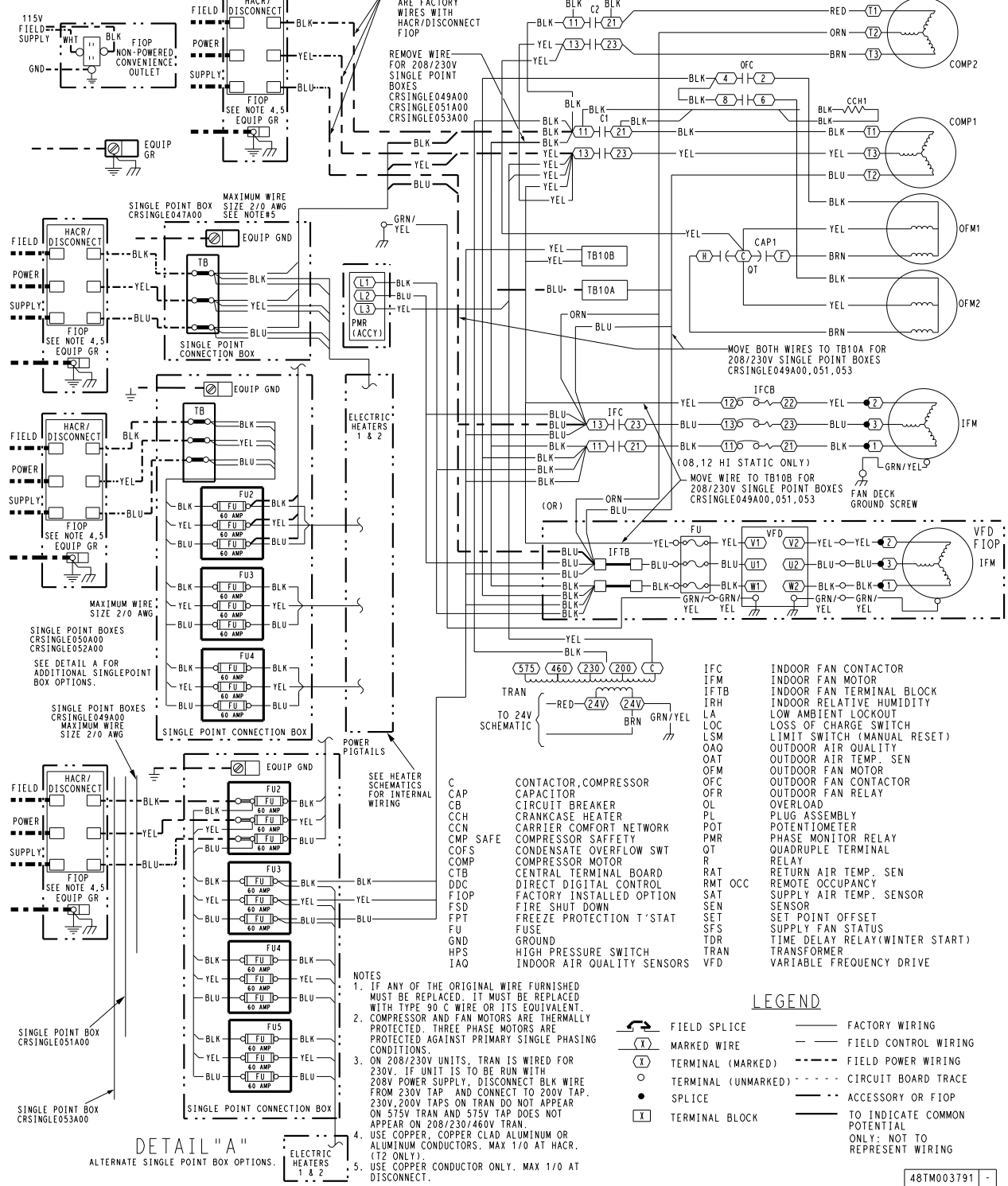
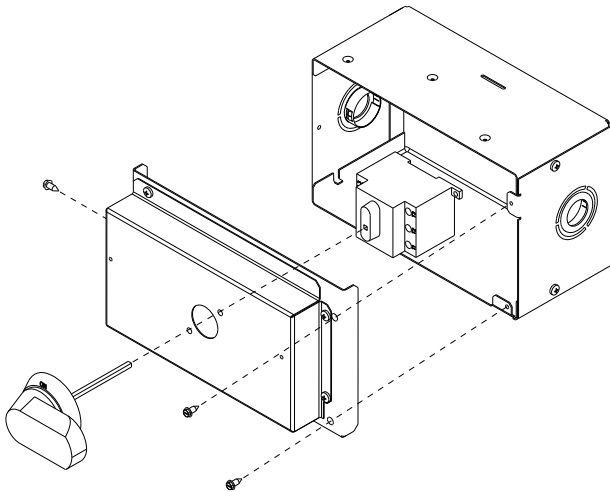


Fig. 22 - 50TCQ 08-09 Power Wiring Diagram

a50-9690

### To field install the NFD shaft and handle:

1. Remove the unit front panel (see Fig. 2).
2. Remove (3) hex screws on the NFD enclosure - (2) on the face of the cover and (1) on the left side cover.
3. Remove the front cover of the NFD enclosure.
4. Make sure the NFD shipped from the factory is at OFF position (the arrow on the black handle knob is at OFF).
5. Insert the shaft with the cross pin on the top of the shaft in the horizontal position.
6. Measure from the tip of the shaft to the top surface of the black pointer; the measurement should be 3.75 to 3.88 in. (95 to 99 mm).
7. Tighten the locking screw to secure the shaft to the NFD.
8. Turn the handle to the OFF position with red arrow pointing at OFF.
9. Install the handle on to the painted cover horizontally with the red arrow pointing to the left.
10. Secure the handle to the painted cover with (2) screws and lock washers supplied.
11. Engaging the shaft into the handle socket, re-install (3) hex screws on the NFD enclosure.
12. Re-install the unit front panel.



C12279

**Fig. 23 - Handle and Shaft Assembly for NFD**

### Units without Factory-Installed Non-Fused Disconnect —

When installing units, provide a disconnect switch per NEC (National Electrical Code) of adequate size. Disconnect sizing data is provided on the unit informative plate. Locate on unit cabinet or within sight of the unit per national or local codes. Do not cover unit informative plate if mounting the disconnect on the unit cabinet.

### All Units —

All field wiring must comply with NEC and all local codes. Size wire based on MCA (Minimum Circuit Amps) on the unit informative plate. See Fig. 19 and the unit label diagram for power wiring connections to the unit power terminal blocks and equipment ground. Maximum wire size is #2 ga AWG per pole.

Provide a ground-fault and short-circuit over-current protection device (fuse or breaker) per NEC Article 440 (or local codes). Refer to unit informative data plate for MOCP (Maximum Over-current Protection) device size.

All field wiring must comply with the NEC and local requirements.

All units except 208/230-v units are factory wired for the voltage shown on the nameplate. *If the 208/230-v unit is to be connected to a 208-v power supply, the control transformer must be rewired by moving the black wire with the 1/4-in. female spade connector from the 230-v connection and moving it to the 200-v 1/4-in. male terminal on the primary side of the transformer.* Refer to unit label diagram for additional information. Field power wires will be connected line-side pressure lugs on the power terminal block or at factory-installed option non-fused disconnect.

**NOTE:** Check all factory and field electrical connections for tightness.

### Convenience Outlets —

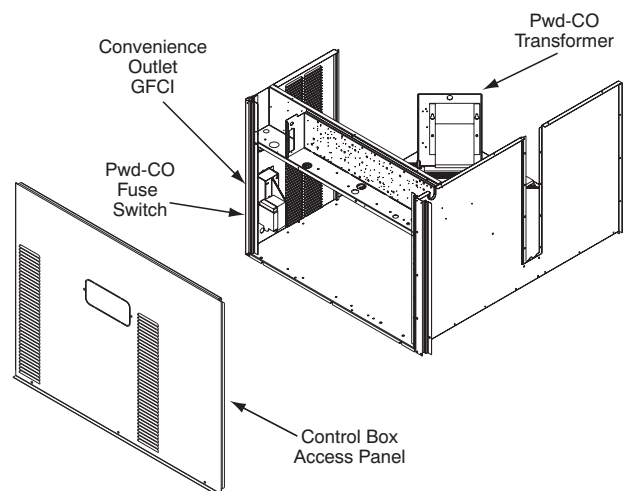
**⚠ WARNING**

**ELECTRICAL OPERATION HAZARD**

Failure to follow this warning could result in personal injury or death.

Units with convenience outlet circuits may use multiple disconnects. Check convenience outlet for power status before opening unit for service. Locate its disconnect switch, if appropriate, and open it. Tag-out this switch, if necessary.

Two types of convenience outlets are offered on 50TCQD models: Non-powered and unit-powered. Both types provide a 125-volt GFCI (ground-fault circuit-interrupter) duplex receptacle rated at 15-A behind a hinged waterproof access cover, located on the end panel of the unit. See Fig. 24.



C08128

**Fig. 24 - Convenience Outlet Location**

**Installing Weatherproof Cover:** A weatherproof while-in-use cover for the factory-installed convenience outlets is now required by UL standards. This cover cannot be factory-mounted due its depth; it must be installed at unit installation. For shipment, the convenience outlet is covered with a blank cover plate.

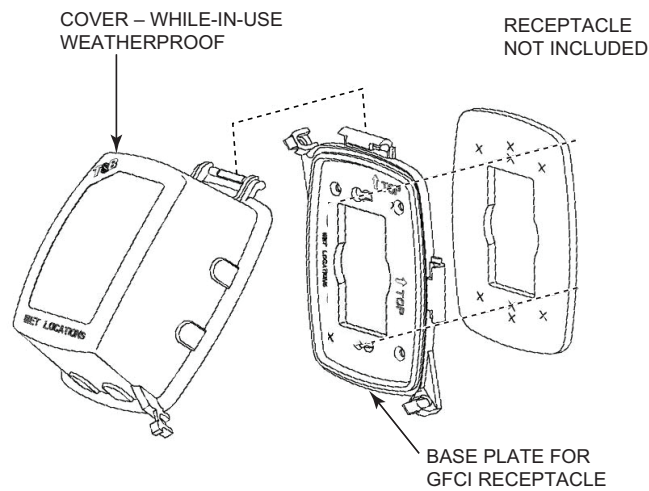
The weatherproof cover kit is shipped in the unit's control box. The kit includes the hinged cover, a backing plate and gasket.

**DISCONNECT ALL POWER TO UNIT AND CONVENIENCE OUTLET. LOCK-OUT AND TAG-OUT ALL POWER.**

Remove the blank cover plate at the convenience outlet; discard the blank cover.

Loosen the two screws at the GFCI duplex outlet, until approximately 1/2-in. (13 mm) under screw heads are exposed. Press the gasket over the screw heads. Slip the backing plate over the screw heads at the keyhole slots and align with the gasket; tighten the two screws until snug (do not over-tighten).

Mount the weatherproof cover to the backing plate as shown in Fig. 25. Remove two slot fillers in the bottom of the cover to permit service tool cords to exit the cover. Check for full closing and latching.



**Fig. 25 - Weatherproof Cover Installation**

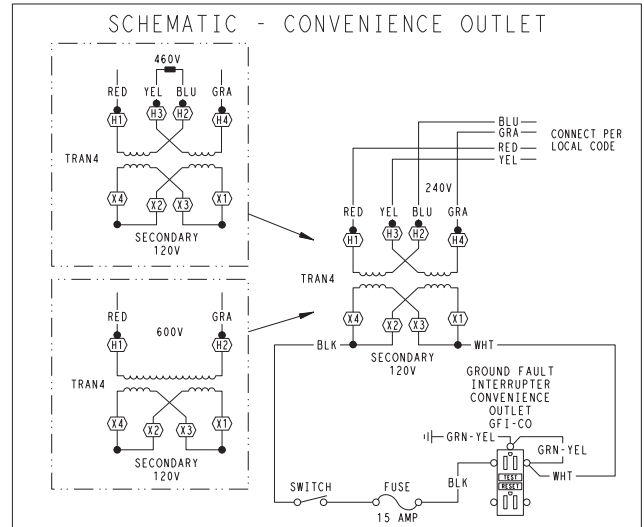
**Non-powered type:** This type requires the field installation of a general-purpose 125-volt 15-A circuit powered from a source elsewhere in the building. Observe national and local codes when selecting wire size, fuse or breaker requirements and disconnect switch size and location. Route 125-v power supply conductors into the bottom of the utility box containing the duplex receptacle.

**Unit-powered type:** A unit-mounted transformer is factory-installed to stepdown the main power supply voltage to the unit to 115-v at the duplex receptacle. This option also includes a manual switch with fuse, located in a utility box and mounted on a bracket behind the convenience outlet; access is through the unit's control box access panel. See Fig. 24.

The primary leads to the convenience outlet transformer are not factory-connected. Selection of primary power source is

a customer-option. If local codes permit, the transformer primary leads can be connected at the line-side terminals on the unit-mounted non-fused disconnect switch; this will provide service power to the unit when the unit disconnect switch is open. Other connection methods will result in the convenience outlet circuit being de-energized when the unit disconnect switch is open. See Fig. 26.

**Using unit-mounted convenience outlets:** Units with unit-mounted convenience outlet circuits will often require that two disconnects be opened to de-energize all power to the unit. Treat all units as electrically energized until the convenience outlet power is also checked and de-energization is confirmed. Observe National Electrical Code Article 210, Branch Circuits, for use of convenience outlets.

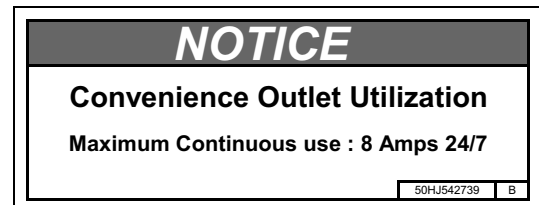


C08283

UNIT VOLTAGE	CONNECT AS	PRIMARY CONNECTIONS	TRANSFORMER TERMINALS
208, 230	240	L1: RED + YEL L2: BLU + GRA	H1 + H3 H2 + H4
460	480	L1: RED L2: Splice BLU + YEL L2: GRA	H1 H2 + H3 H4
575	600	L1: RED L2: GRA	H1 H2

**Fig. 26 - Powered Convenience Outlet Wiring**

**Fuse on power type:** The factory fuse is a Bussman "Fusetron" T-15, non-renewable screw-in (Edison base) type plug fuse.



C13415

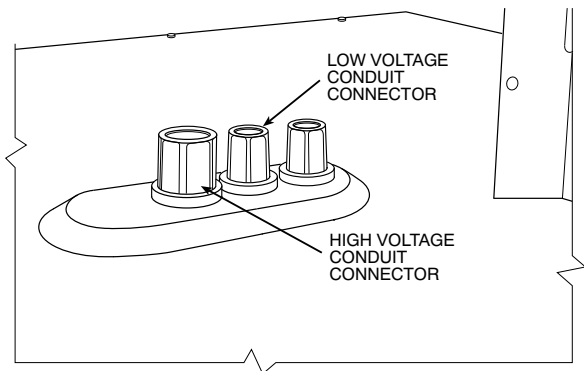
**Fig. 27 - Convenience Outlet Utilization Notice Label**

Test the GFCI receptacle by pressing the TEST button on the face of the receptacle to trip and open the receptacle. Check for proper grounding wires and power line phasing

if the GFCI receptacle does not trip as required. Press the RESET button to clear the tripped condition.

### Factory-Option Thru-Base Connections —

This service connection kit consists of a 1/2-in. electrical bulkhead connector and a 3/4-in. electrical bulkhead connector, all factory-installed in the embossed (raised) section of the unit basepan in the condenser section. The 1/2-in. bulkhead connector enables the low-voltage control wires to pass through the basepan. The 3/4-in. electrical bulkhead connector allows the high-voltage power wires to pass through the basepan. See Fig. 28.



C13412

Fig. 28 - Thru-Base Connection Fittings

Check tightness of connector lock nuts before connecting electrical conduits.

Field-supplied and field-installed liquid tight conduit connectors and conduit may be attached to the connectors on the basepan. Pull correctly rated high voltage and low voltage through appropriate conduits. Connect the power conduit to the internal disconnect (if unit is so equipped) or to the external disconnect (through unit side panel). A hole must be field cut in the main control box bottom on the left side so the 24-v control connections can be made. Connect the control power conduit to the unit control box at this hole.

### Units without Thru-Base Connections —

1. Install power wiring conduit through side panel openings. Install conduit between disconnect and control box.
2. Install power lines to terminal connections as shown in Fig. 19.

### All Units —

Voltage to compressor terminals during operation must be within voltage range indicated on unit nameplate. See Tables 30 and 31. On 3-phase units, voltages between phases must be balanced within 2% and the current within 10%. Use the formula shown in the legend for Tables 30 and 31, Note 3 (see page 58) to determine the percent of voltage imbalance. Operation on improper line voltage or excessive phase imbalance constitutes abuse and may cause damage to electrical components. Such operation would invalidate any applicable Carrier warranty.

### Field Control Wiring —

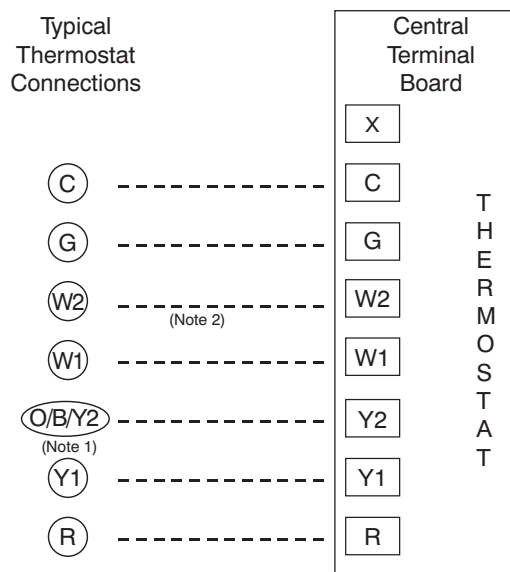
The 50TCQ unit requires an external temperature control device. This device can be a thermostat (field-supplied) or a PremierLink™ controller (available as factory-installed option or as field-installed accessory, for use on a Carrier Comfort Network® system or as a stand alone control) or the RTU Open Controller for Building Management Systems using non-CCN protocols. (RTU Open is available as a factory-installed option only.)

### Thermostat —

Install a Carrier-approved accessory 2 stage Cooling/Heating thermostat according to installation instructions included with the accessory. The 50TCQ models do not require a thermostat with an O function to control the reversing valve operation. If using an electronic thermostat, configure it for “non-heat pump” operation. Locate the thermostat accessory on a solid wall in the conditioned space to sense average temperature in accordance with the thermostat installation instructions.

If the thermostat contains a logic circuit requiring 24-v power, use a thermostat cable or equivalent single leads of different colors with minimum of seven leads. If the thermostat does not require a 24-v source (no “C” connection required), use a thermostat cable or equivalent with minimum of six leads. Check the thermostat installation instructions for additional features which might require additional conductors in the cable.

For wire runs up to 50 ft. (15 m), use no. 18 AWG (American Wire Gage) insulated wire (35°C minimum). For 50 to 75 ft. (15 to 23 m), use no. 16 AWG insulated wire (35°C minimum). For over 75 ft. (23 m), use no. 14 AWG insulated wire (35°C minimum). All wire sizes larger than no. 18 AWG cannot be directly connected to the thermostat and will require a junction box and splice at the thermostat.



Note 1: Typical multi-function marking. Follow manufacturer’s configuration instructions to select Y2. Do not configure for O output.

Note 2: W2 connection not required on units without electric heating.

--- Field Wiring

C09012

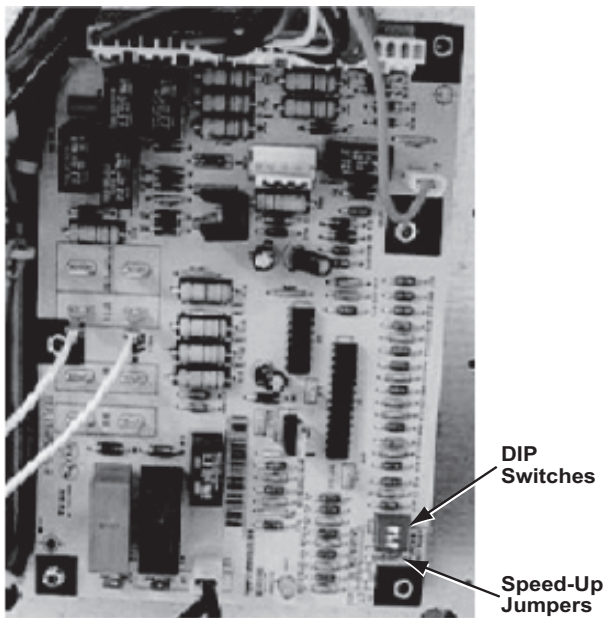
Fig. 29 - Typical Low-Voltage Control Connections

## Central Terminal Board

The Central Terminal Board (CTB) is a pass through connection point. The CTB provides the capability to add factory-installed options and field-installed accessories to the units by cutting jumper wires without having to change or reroute wires through the structure of the unit. The CTB does not provide any microprocessor control; it is simply a basic multifunction wiring terminal configuration.

## Commercial Defrost Control

The Commercial Defrost Control Board (DFB) coordinates thermostat demands for supply fan control, 1 or 2 stage cooling, 2 stage heating, emergency heating and defrost control with unit operating sequences. The DFB also provides an indoor fan off delay feature (user selectable). See Fig. 30 for board arrangement.



C09275

**Fig. 30 - Defrost Control Board Arrangement**

The DFB is located in the 50TCQ unit's main control box (see Fig. 32). All connections are factory-made through harnesses to the unit's CTB, to IFC (belt-drive motor) or to ECM (direct-drive motor), reversing valve solenoids and to defrost thermostats. Refer to Table 5 for details of DFB Inputs and Outputs.

**Reversing valve control** — The DFB has two outputs for unit reversing valve control. Operation of the reversing valves is based on internal logic; this application does not use an "O" or "B" signal to determine reversing valve position. Reversing valves are energized during the cooling stages and the defrost cycle and de-energized during heating cycles. Once energized at the start of a cooling stage, the reversing valve will remain energized until the next heating cycle demand is received. Once de-energized at the start of a Heating cycle, the reversing valves will remain de-energized until the next cooling stage is initiated.

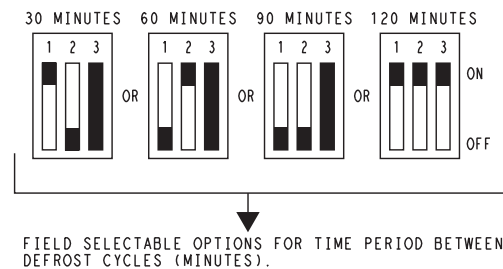
**Compressor control** — The DFB receives inputs indicating Stage 1 Cooling, Stage 2 Cooling and Stage 1 Heating from the space thermostat or unit control system (PremierLink™ controller or RTU Open controller); it generates commands to start compressors with or without reversing valve operation to produce Stage 1 Cooling (one compressor runs), Stage 2 Cooling (both compressors run) or Stage 1 Heating (both compressors run).

**Auxiliary (Electric) Heat control** — The 50TCQ unit can be equipped with one or two auxiliary electric heaters, to provide a second stage of heating. The DFB will energize this Heating System for a Stage 2 Heating Command (heaters operate concurrently with compressor(s) in the Stage 1 Heating cycle), for an Emergency Heating sequence (compressors are off and only the electric heaters are energized) and also during the Defrost cycle (to eliminate a "cold blow" condition in the space).

**Defrost** — The defrost control mode is a time/temperature sequence. There are two time components: The continuous run period and the test/defrost cycle period. The temperature component is provided by Defrost Thermostat 1 and 2 (DFT1 and DFT2) mounted on the outdoor coil.

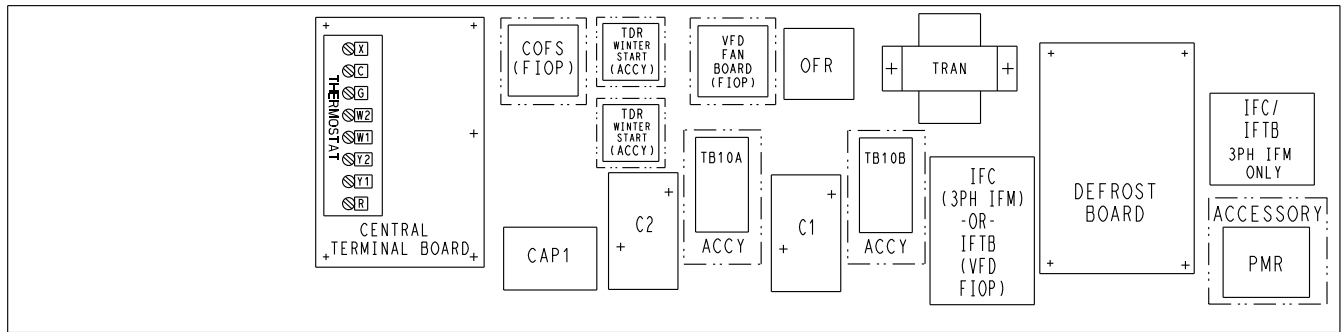
The continuous run period is a fixed time period between the end of the last defrost cycle (or start of the current Heating cycle) during which no defrost will be permitted. This period can be set at 30, 60, 90 or 120 minutes by changing the positions of DIP switches SW1 and SW2 (see Fig. 31 and Table 6). The default run period is 60 minutes for unit sizes 08 and 09.

### DIP SWITCH SETTINGS - DEFOST BD



**Fig. 31 - DIP Switch Settings — Defrost Board**

Shorting the jumpers for a period of 5 to 20 seconds bypasses the remaining continuous run period and places the unit in a Forced Defrost mode. If the controlling DFT is closed when this mode is initiated, the unit will complete a normal defrost period that will terminate when the controlling DFT opens or the 10 minute defrost cycle limit is reached. If the controlling DFT is open when this mode is initiated, the Defrost cycle will run for 30 seconds. Both modes end at the end of the Defrost cycle.



a50-9654

**Fig. 32 - Defrost Control Board Location**

**Table 5 – 50TCQ Defrost Board I/O and Jumper Configurations**

**Inputs**

Point Name	Type of I/O	Connection Pin Number	Unit Connection	Note
G Fan	DI, 24Vac	P2-3	CTB-G	
Y1 Cool 1	DI, 24Vac	P2-5	CTB-Y1	
Y2 Cool 2	DI, 24Vac	P2-4	CTB-Y2	
W1 Heat 1	DI, 24Vac	P2-7	CTB-W1	
W2 Heat 2	DI, 24Vac	P2-6	CTB-W2	
R Power	24Vac	P3-1	CONTL BRD-8	
C Common	24Vac	P3-2	CONTL BRD-4	
DFT1	DI, 24Vac	DFT-1 to DFT-1	—	
DFT 2	DI, 24Vac	DFT-2 to DFT-2	—	

**Outputs**

Point Name	Type of I/O	Connection Pin Number	Unit Connection	Note
IFO Fan On	DO, 24Vac	P3-9	REHEAT/HP-2	
OF OD Fan On	DO, 24Vac	OF	OFR	
RVS1	DO, 24Vac	P3-7 to P3-5	—	Energize in COOL
RVS2	DO, 24Vac	P3-6 to P3-4	—	Energize in COOL
COMP 1	DO, 24Vac	P3-10	FPT1 - REHEAT/HP-6	
COMP 2	DO, 24Vac	P3-8	FPT2 - REHEAT/HP-8	
HEAT 2	DO, 24Vac	E-HEAT	TB4-1	
COM	24Vac	P3-3	TB4-3	

**Configuration**

Point Name	Type of I/O	Connection Pin Number	Unit Connection	Note
Select Jumper	24Vac	P1-1	—	
2 Compressor	24Vac	P1-3	—	Use for 50TCQD

**Speed-Up Configuration**

Point Name	Type of I/O	Connection Pin Number	Unit Connection	Note
Speed-Up Jumper	—	JMP17	—	
Speed-Up Jumper	—	JMP18	—	

Jumper for 1-3 seconds: Factory Test — The defrost interval timing is reduced by a factor of 0.1 seconds/minute based on the positions of DIP switches SW1 and SW2 (i.e. 90 minutes will be reduced to 9 seconds).

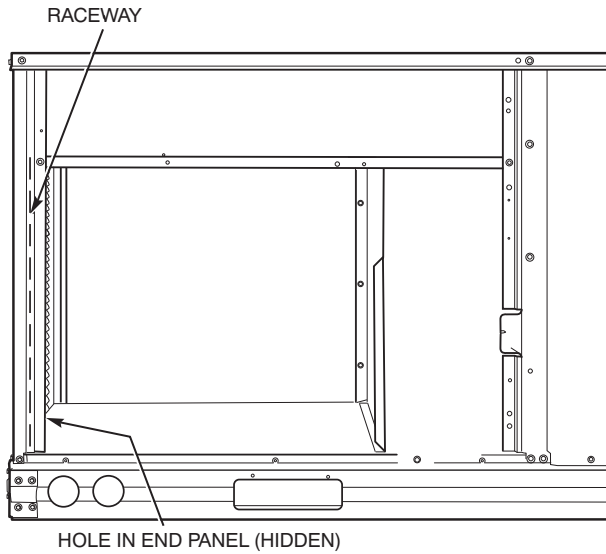
Jumper for 5-20 seconds: Forced Defrost — Defrost runs for 30 seconds if DFT2 is open.

**Table 6 – DIP Switch Position**

Switch No.	1	2	1	2	1	2	1	2	3			
1	■		1	■	1		1	■	■	1	■	On
0		■	0	■	0	■	■	0		0		Off
	30 minutes		60 minutes (Factory default)		90 minutes		120 minutes		Fan Delay			

### Unit without Thru-Base Connection Kit —

Pass the thermostat control wires through the hole provided in the corner post; then feed the wires through the raceway built into the corner post to the control box. Pull the wires over to the terminal strip on the upper-left corner of the Central Terminal Board (CTB). See Fig. 33.



**Fig. 33 - Field Control Wiring Raceway**

C08027

**NOTE:** If thru-the-bottom connections accessory is used, refer to the accessory installation instructions for information on routing power and control wiring.

### Heat Anticipator Settings —

Set heat anticipator settings at 0.14 amp for the first stage and 0.14 amp for second-stage heating, when available.

### Electric Heaters

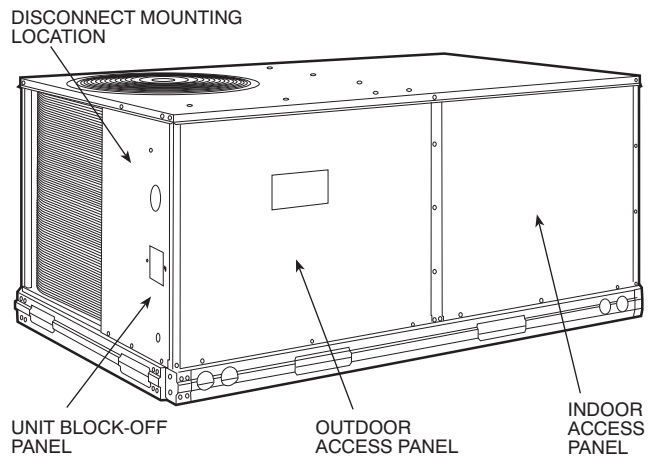
50TCQ units may be equipped with field-installed accessory electric heaters. The heaters are modular in design, with heater frames holding open coil resistance wires strung through ceramic insulators, limit switches and one or two control contactors. One or two heater modules may be used in a unit.

Heater modules are installed in the compartment below the indoor (supply) fan outlet. Access is through the indoor access panel. Heater modules slide into the compartment on tracks along the bottom of the heater opening. See Fig. 34 - 36.

Not all available heater modules may be used in every unit. Use only those heater modules that are UL listed for use in a specific size unit. Refer to the label on the unit cabinet for the list of approved heaters.

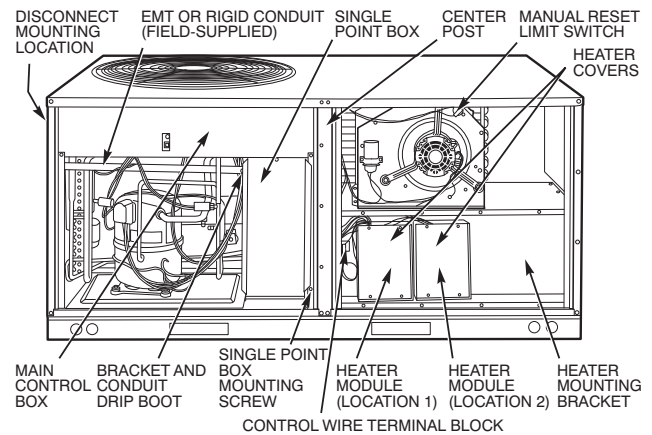
Unit heaters are marked with Heater Model Numbers. But heaters are ordered as and shipped in cartons marked with a corresponding heater Sales Package part number. See Table 7 for correlation between heater Model Number and Sales Package part number.

**NOTE:** The value in position 9 of the part number differs between the sales package part number (value is 1 or 3) and a bare heater model number (value is 0).



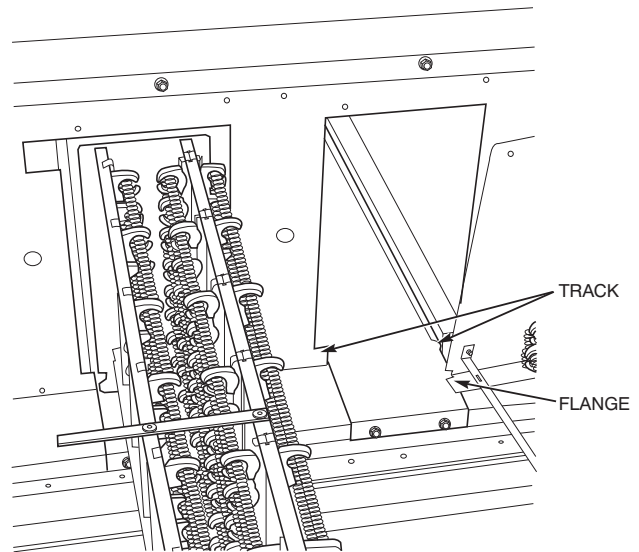
C08133

**Fig. 34 - Typical Access Panel Location**



C08134

**Fig. 35 - Typical Component Location**



C08135

**Fig. 36 - Typical Module Installation**

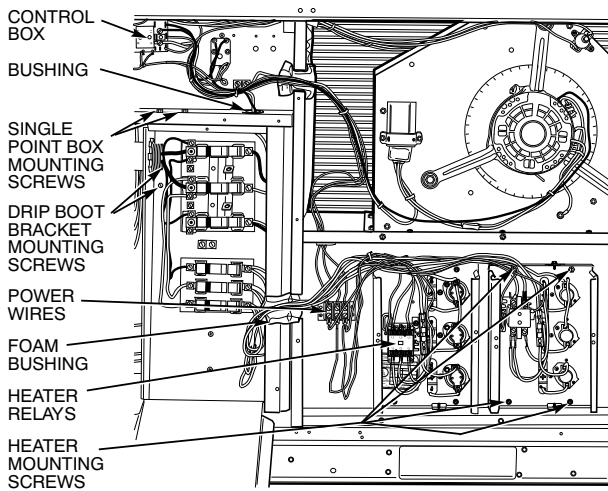


**Table 7 – Heater Model Number**

<b>Bare Heater Model Number</b>	<b>C</b>	<b>R</b>	<b>H</b>	<b>E</b>	<b>A</b>	<b>T</b>	<b>E</b>	<b>R</b>	<b>0</b>	<b>0</b>	<b>1</b>	<b>A/B</b>	<b>0</b>	<b>0</b>
<b>Heater Sales Package P/N</b> <b>Includes:</b> <b>Bare Heater</b> <b>Carton and packing materials</b> <b>Installation sheet</b>	<b>C</b>	<b>R</b>	<b>H</b>	<b>E</b>	<b>A</b>	<b>T</b>	<b>E</b>	<b>R</b>	<b>1</b>	<b>0</b>	<b>1</b>	<b>A/B</b>	<b>0</b>	<b>0</b>

**Single Point Boxes and Supplementary Fuses —**

When the unit MOCB device value exceeds 60-A, unit-mounted supplementary fuses are required for each heater circuit. These fuses are included in accessory Single Point Boxes, with power distribution and fuse blocks. The single point box will be installed directly under the unit control box, just to the left of the partition separating the indoor section (with electric heaters) from the outdoor section. The Single Point Box has a hinged access cover. See Fig. 37. The Single Point Box also includes pigtailed to complete the wiring between the Single Point Box and the unit's main control box terminals. Refer to the accessory heater and Single Point Box installation instructions for details on tap connections.



C14253

**Fig. 37 - Typical Single Point Installation**

All fuses on 50TCQ units are 60-A. (Note that all heaters are qualified for use with a 60-A fuse, regardless of actual heater ampacity, so only 60-A fuses are necessary.)

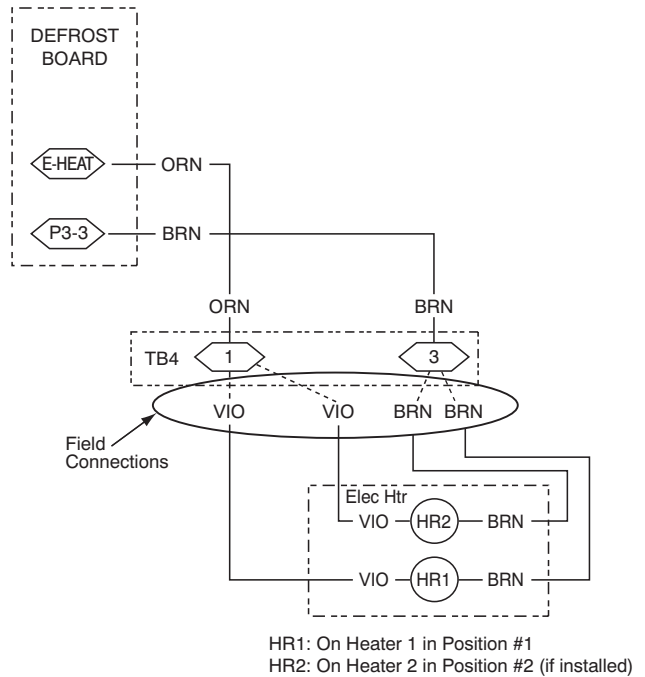
**Single Point Boxes without Fuses —**

Refer to accessory heater and Single Point Box installation instructions for details on tap connections.

**Low-Voltage Control Connections —**

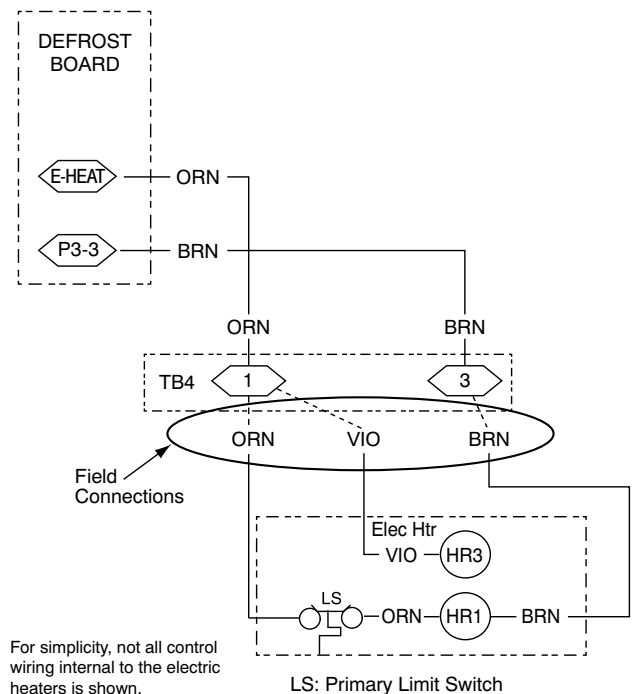
Run the low-voltage control leads from the heater module(s) - VIO and BRN (two of each if two modules are installed) - to the 4-pole terminal board TB4 located on the heater bulkhead to the left of Heater #1. Except for CRHEATER128B00-129B00, connect the VIO leads from Heater #1 and Heater #2 to terminal TB4-1. Connect the BRN leads to terminal TB4-3. See Fig. 38.

For CRHEATER128B00-129B00 only — Connect the ORN lead from HR1 (Heater Relay 1) and the VIO lead from HR3 (Heater Relay 3) to terminal TB4-1. Connect the BRN lead from HR1 to TB4-3. See Fig. 39.



C09013

**Fig. 38 - Accessory Electric Heater Control Connections (Except CRHEATER128B00-129B00)**



For simplicity, not all control wiring internal to the electric heaters is shown.

a50-9362

**Fig. 39 - Accessory Electric Heater Control Connections for CRHEATER128B00-129B00 Only**

## EconoMi\$er<sup>®</sup> X (Factory-Installed Option)



C14154

Fig. 40 - W7220 Economizer Module

### Product Description —

The EconoMi\$er X system is an expandable economizer control system, which includes a W7220 economizer module (controller) with an LCD and keypad. The W7220 can be configured with optional sensors.

The W7220 economizer module can be used as a stand-alone economizer module wired directly to a commercial set-back space thermostat and sensors to provide outside air dry-bulb economizer control.

The W7220 economizer module can be connected to optional sensors for single or differential enthalpy control. The W7220 economizer module provides power and communications for the sensors.

The W7220 economizer module automatically detects sensors by polling to determine which sensors are present. If a sensor loses communications after it has been detected, the W7220 economizer controller indicates a device fail error on its LCD.

### System Components —

The EconoMi\$er X system includes an economizer module, 20k mixed air sensor, damper actuator, and either a 20k outdoor air temperature sensor or S-Bus enthalpy sensors.

**Economizer Module:** This is the core of the EconoMi\$er X system, is mounted in the unit's control box, and includes the user interface for the system. The W7220 economizer module provides the basic inputs and outputs to provide simple economizer control. When used with the optional sensors, the economizer module provides more advanced economizer functionality.

**S-Bus Enthalpy Control Sensors:** The S-Bus enthalpy control sensor is a combination temperature and humidity sensor which is powered by and communicates on the S-Bus. Up to three sensors may be configured with the W7220 economizer module. See page 27 for details.

**CO<sub>2</sub> Sensor (optional):** A CO<sub>2</sub> sensor can be added for Demand Controlled Ventilation (DCV).

## Specifications

### W7220 Economizer Module —

The module is designed for use with 2 to 10 Vdc or bus communicating actuator. The module includes terminals for CO<sub>2</sub> sensor, mixed air sensor, and an outdoor dry bulb sensor. Enthalpy and other options are available with bus sensors.

**User Interface:** Provides status for normal operation, setup parameters, checkout tests, and alarm and error conditions with a 2-line 16 character LCD display and four button keypad.

### Electrical —

**Rated Voltage:** 20 to 30 Vac RMS, 50/60 Hz

Transformer: 100 va maximum system input

### Nominal Power Consumption (at 24 Vac, 60 Hz):

11.5 VA without sensors or actuators

### Relay Digital Output Rating at 30 Vac (maximum power from Class 2 input only): 1.5A run:

3.5A inrush at 0.45PF (200,000 cycles) or

7.5A inrush at 0.45PF (100,000 cycles)

**External Sensors Power Output:** 21 Vdc  $\pm$  5% at 48mA

**IMPORTANT:** All inputs and outputs must be Class 2 wiring.

### Inputs —

#### Sensors:

**NOTE:** A mixed air (MA) analog sensor is required on all W7220 units; either an outdoor air (OA) sensor for dry bulb change over or an OA bus sensor for outdoor enthalpy change over is required in addition to the MA sensor. An additional return air (RA) bus sensor can be added to the system for differential enthalpy or dry bulb changeover. For differential dry bulb changeover a 20k ohm sensor is required in the OA and a bus sensor in the RA. DIP switch on RA bus sensor must be set in the RA position.

#### Dry Bulb Temperature (optional) and Mixed Air (required), 20k NTC:

2-wire (18 to 22 AWG);

Temperature range -40 to 150°F (-40 to 65°C).

Temperature accuracy -0°F/+2°F

#### Temperature and Humidity, C7400S1000 (optional):

S-Bus; 2-wire (18 to 22 AWG)

Temperature: range -40 to 150°F (-40 to 65°C)

Temperature accuracy -0°F/+2°F

Humidity: range 0 to 100% RH with 5% accuracy.

**NOTE:** Up to three (3) S-Bus sensors may be connected to the W7220 economizer module. For outdoor air (OA), return air (RA) and discharge (supply) air (DA).

#### 4 Binary inputs:

1-wire 24 Vac + common GND (see page 28 for wiring details). 24 Vac power supply: 20 to 30 Vac 50/60Hz; 100 VA Class 2 transformer.

**Outputs —**

**Actuator signal:** 2-10 Vdc; minimum actuator impedance is 2k ohm; bus two-wire output for bus communicating actuators.

**Exhaust fan, Y1, Y2 and AUX1 O:**

All Relay Outputs (at 30 Vac):  
 Running: 1.5A maximum  
 Inrush: 7.5A maximum

**Environmental —**

**Operating Temperature:** -40 to 150°F (-40 to 65°C).  
 Exception of display operation down to -4°F with full recovery at -4°F from exposure to -40°F

**Storage Temperature:** -40 to 150°F (-40 to 65°C)

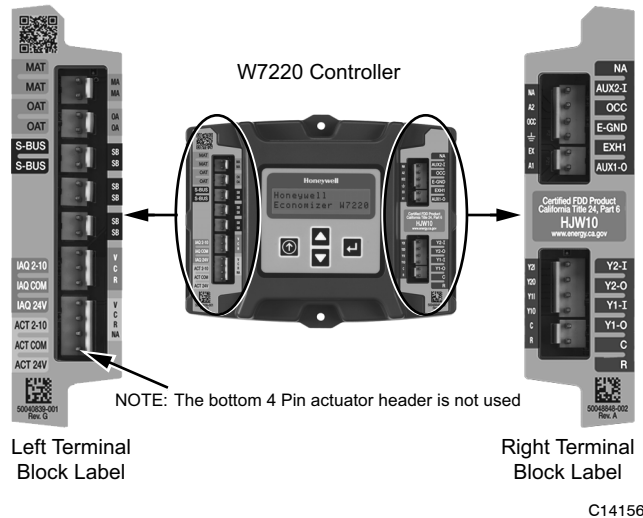
**Shipping Temperature:** -40 to 150°F (-40 to 65°C)

**Relative Humidity:** 5% to 95% RH non-condensing

**Economizer Module Wiring Details —**

Use Fig. 41 and Tables 8 and 9 to locate the wiring terminals for the economizer module.

**NOTE:** The four terminal blocks are removable. You can slide out each terminal block, wire it, and then slide it back into place.



**Fig. 41 - W7220 Economizer Module Terminal Connection Labels**

**S-Bus Sensor Wiring —**

The labels on the sensors and controller are color coded for ease of installation. Orange labeled sensors can only be wired to orange terminals on the controller. Brown labeled sensors can only be wired to S-Bus (brown) terminals. Use Fig. 42 and Table 10 to locate the wiring terminals for each S-Bus sensor.

Use Fig. 42 and Table 11 to set the DIP switches for the desired use of the sensor.

**Table 8 – Economizer Module - Left Hand Terminal Blocks**

Label	Type	Description
<b>Top Left Terminal Block</b>		
MAT MAT	20k NTC and COM	Supply Air Temperature Sensor (polarity insensitive connection)
OAT OAT	20k NTC and COM	Outdoor Air Temperature Sensor (polarity insensitive connection)
S-BUS S-BUS	S-Bus (Syk* Bus)	Enthalpy Control Sensor (polarity insensitive connection)
<b>Bottom Left Terminal Block</b>		
IAQ 2-10	2-10 Vdc	Air Quality Sensor Input (e.g. CO <sub>2</sub> sensor)
IAQ COM	COM	Air Quality Sensor Common
IAQ 24V	24 Vac	Air Quality Sensor 24 Vac Source
ACT 2-10	2-10 Vdc	Damper Actuator Output (2-10 Vdc)
ACT COM	COM	Damper Actuator Output Common
ACT 24V	24 Vac	Damper Actuator 24 Vac Source
	n/a	The bottom pin is not used.

**Table 9 – Economizer Module - Right Hand Terminal Blocks**

Label	Type	Description
<b>Top Right Terminal Block</b>		
	n/a	The first pin is not used
AUX2 I	24 Vac IN	Shut Down (SD) or Heat (W) Conventional only or Heat Pump Changeover (O/B) in Heat Pump mode.
OCC	24 Vac IN	Occupied / Unoccupied Input
E-GND	E-GND	Earth Ground – System Required
EXH1	24 Vac OUT	Exhaust Fan 1 Output
AUX1 O	24 Vac OUT	Programmable: Exhaust fan 2 output or Erv or System Alarm output
<b>Bottom Right Terminal Block</b>		
Y2-I	24 Vac IN	Y2 in – Cooling Stage 2 Input from space thermostat
Y2-O	24 Vac OUT	Y2 out – Cooling Stage 2 Output to stage 2 mechanical cooling
Y1-I	24 Vac IN	Y1 in – Cooling Stage 1 Input from space thermostat
Y1-O	24 Vac OUT	Y1 out – Cooling Stage 1 Output to stage 1 mechanical cooling
C	COM	24 Vac Common
R	24 Vac	24 Vac Power (Hot)

\* Syk is a trademark of Honeywell International Inc.

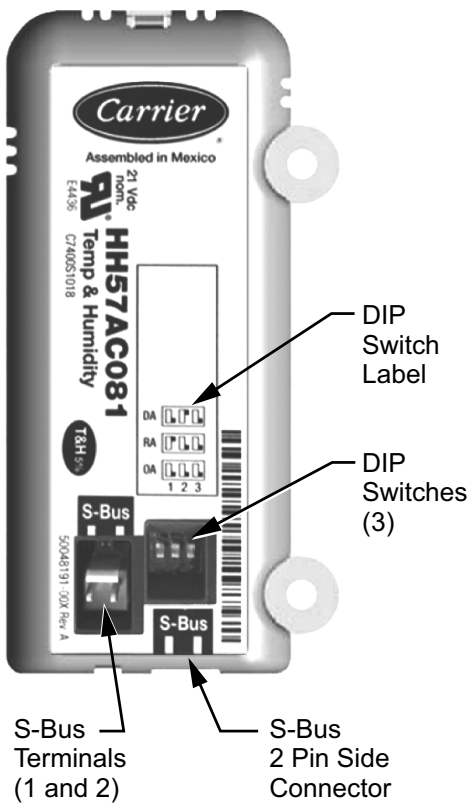


Fig. 42 - S-Bus Sensor DIP Switches

C14157

Table 10 – Enthalpy Control Sensor Wiring Terminations\*

Terminal		Type	Description
Nbr	Label		
1	S-BUS	S-BUS	S-Bus Communications (Enthalpy Control Sensor Bus)
2	S-BUS	S-BUS	S-Bus Communications (Enthalpy Control Sensor Bus)

\* Terminals are polarity insensitive.

Table 11 – Enthalpy Control Sensor DIP Switch Settings

Use	DIP Switch Positions for Switches 1, 2, and 3		
	1	2	3
DA *	OFF	ON	OFF
RA †	ON	OFF	OFF
OA **	OFF	OFF	OFF

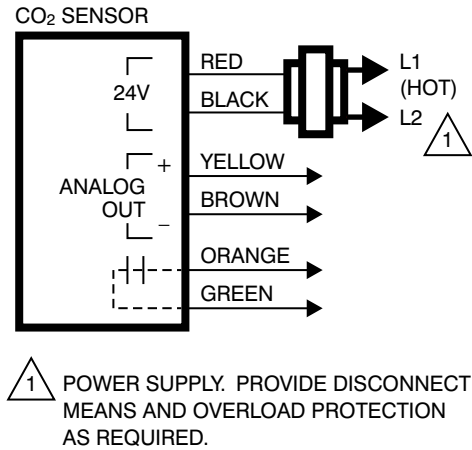
\* DA = Discharge Air  
 † RA = Return Air  
 \*\* OA = Outside Air

**NOTE:** When a S-Bus sensor is connected to an existing network, it will take 60 minutes for the network to recognize and auto-configure itself to use the new sensor. During the 60 minute setup period, no alarms for sensor failures (except SAT) will be issued and no economizing function will be available.

**CO<sub>2</sub> Sensor Wiring —**

When using a CO<sub>2</sub> sensor the black and brown common wires are internally connected and only one is connected to “IAQ COM” on the W7220. Use the power from the

W7220 to power the CO<sub>2</sub> sensor OR make sure the ground for the power supplies are common. See Fig. 43 for CO<sub>2</sub> sensor wiring.



1 POWER SUPPLY. PROVIDE DISCONNECT MEANS AND OVERLOAD PROTECTION AS REQUIRED.

C14158

Fig. 43 - Wiring for CO<sub>2</sub> Sensor

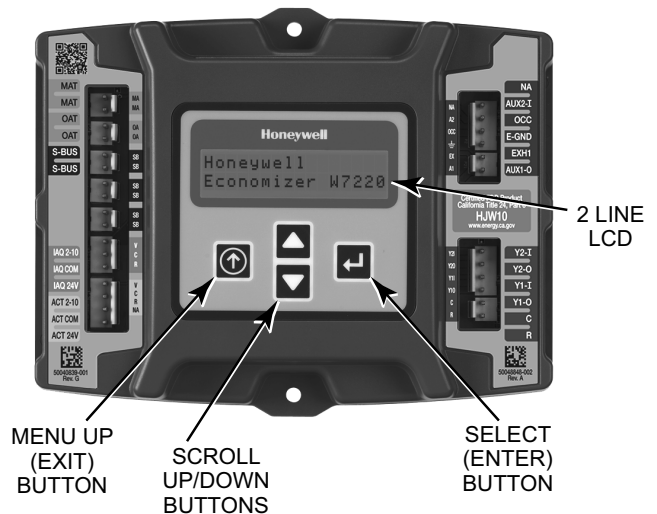
**Interface Overview**

This section describes how to use the economizer’s user interface for:

- Keypad and menu navigation
- Settings and parameter changes
- Menu structure and selection

**User Interface —**

The user interface consists of a 2-line LCD display and a 4-button keypad on the front of the economizer controller.



C14206

Fig. 44 - W7220 Controller

**Keypad —**

The four navigation buttons (see Fig. 44) are used to scroll through the menus and menu items, select menu items, and to change parameter and configuration settings.

**To use the keypad when working with menus:**

- Press the ▲ (Up arrow) button to move to the previous menu.
- Press the ▼ (Down arrow) button to move to the next menu.
- Press the ↵ (Enter) button to display the first item in the currently displayed menu.
- Press the ⏮ (Menu Up/Exit) button to exit a menu's item and return to the list of menus.

**To use the keypad when working with Setpoints, System and Advanced Settings, Checkout tests and Alarms:**

1. Navigate to the desired menu.
2. Press the ↵ (Enter) button to display the first item in the currently displayed menu.
3. Use the ▲ and ▼ buttons to scroll to the desired parameter.
4. Press the ↵ (Enter) button to display the value of the currently displayed item.
5. Press the ▲ button to increase (change) the displayed parameter value.
6. Press the ▼ button to decrease (change) the displayed parameter value.  
**NOTE:** When values are displayed, pressing and holding the ▲ or ▼ button causes the display to automatically increment.
7. Press the ↵ (Enter) button to accept the displayed value and store it in nonvolatile RAM.
8. "CHANGE STORED" displays.
9. Press the ↵ (Enter) button to return to the current menu parameter.
10. Press the ⏮ (Menu Up/Exit) button to return to the previous menu.

**Menu Structure**

Table 12 illustrates the complete hierarchy of menus and parameters for the EconoMiSer® X system.

The Menus in display order are:

- STATUS
- SETPOINTS

- SYSTEM SETUP
- ADVANCED SETUP
- CHECKOUT
- ALARMS

**IMPORTANT:** Table 12 illustrates the complete hierarchy. Your menu parameters may be different depending on your configuration.

For example if you do not have a DCV (CO<sub>2</sub>) sensor, then none of the DCV parameters appear and only MIN POS will display. If you have a CO<sub>2</sub> sensor, the DCV MIN and DCV MAX will appear AND if you have 2 speed fan DCV MIN (high and low speed) and DCV MAX (high and low speed will appear).

**NOTE:** Some parameters in the menus use the letters MA or MAT, indicating a mixed air temperature sensor location before the cooling coil. This unit application has the control sensor located after the cooling coil, in the fan section, where it is designated as (Cooling) Supply Air Temperature or SAT sensor.

**Setup and Configuration**

Before being placed into service, the W7220 economizer module must be setup and configured for the installed system.

**IMPORTANT:** During setup, the economizer module is live at all times.

The setup process uses a hierarchical menu structure that is easy to use. You press the ▲ and ▼ arrow buttons to move forward and backward through the menus and press the ↵ button to select and confirm setup item changes.

**Time-out and Screensaver —**

When no buttons have been pressed for 10 minutes, the LCD displays a screen saver, which cycles through the Status items. Each Status items displays in turn and cycles to the next item after 5 seconds.

**Table 12 – Menu Structure\***

Menu	Parameter	Parameter Default Value	Parameter Range and Increment †	EXPANDED PARAMETER NAME Notes
STATUS	ECON AVAIL	NO	YES/NO	ECONOMIZING AVAILABLE YES = economizing available; the system can use outside air for free cooling when required
	ECONOMIZING	NO	YES/NO	ECONOMIZING ACTIVE YES = Outside air being used for first stage cooling. NO = Economizing not active
	OCCUPIED	NO	YES/NO	OCCUPIED YES = OCC signal received from space thermostat or unitary controller. YES = 24 Vac on terminal OCC. NO = 0 Vac on terminal OCC.
	HEAT PUMP	n/a**	COOL HEAT	HEAT PUMP MODE Displays COOL or HEAT when system is set to heat pump (non-conventional)

**Table 12 - Menu Structure\* (cont)**

Menu	Parameter	Parameter Default Value	Parameter Range and Increment †	EXPANDED PARAMETER NAME Notes
STATUS (cont)	COOL Y1 –IN	OFF	ON/OFF	FIRST STAGE COOLING DEMAND (Y1 –IN) Y1 –I signal from space thermostat or unitary controller for Cooling Stage 1. ON = 24 Vac on terminal Y1 –I OFF = 0 Vac on terminal Y1 –I
	COOL Y1 –OUT	OFF	ON/OFF	FIRST STAGE COOLING RELAY OUTPUT Cool Stage 1 Relay Output to mechanical cooling (Y1 –OUT terminal).
	COOL Y2 –IN	OFF	ON/OFF	SECOND STAVE COOLING DEMAND (Y2 –IN) Y2 –I signal from space thermostat or unitary controller for Cooling Stage 2. ON = 24 Vac on terminal Y2 –I OFF = 0 Vac on terminal Y2 –I
	COOL Y2 –OUT	OFF	ON/OFF	SECOND STAGE COOLING RELAY OUTPUT Cool Stage 2 Relay Output to mechanical cooling (Y2 –OUT terminal).
	MA TEMP	___ °F (or ___ °C)	–40 to 150 °F (–18 to 60 °C)	SUPPLY AIR TEMPERATURE, Cooling Mode Displays value of measured mixed/cooled air from SAT sensor in fan section. Displays ---, – if not connected, short or out–of–range. See Menu Note 2
	DA TEMP	___ °F (or ___ °C)	–40 to 150 °F (–18 to 60 °C)	DISCHARGE AIR TEMPERATURE, after Heating section (Accessory sensor required) Displays when Discharge Air sensor is connected and displays measured discharge temperature. Displays ---, – °F if sensor sends invalid value, if not connected, short or out–of–range.
	OA TEMP	___ °F (or ___ °C)	–40 to 140 °F (–40 to 60 °C)	OUTSIDE AIR TEMPERATURE Displays measured value of outdoor air temperature. Displays --- °F if sensor sends invalid value, if not connected, short or out–of–range.
	OA HUM	__ %	0 to 100%	OUTSIDE AIR RELATIVE HUMIDITY Displays measured value of outdoor humidity from OA enthalpy sensor.
	RA TEMP	___ °F (or ___ °C)	0 to 140 °F (–18 to 60 °C)	RETURN AIR TEMPERATURE (Accessory sensor required) Displays measured value of return air temperature from RAT sensor. Displays --- °F if sensor sends invalid value, if not connected, short or out–of–range.
	RA HUM	__ %	0 to 100%	RETURN AIR RELATIVE HUMIDITY (Accessory enthalpy sensor required) Displays measured value of return air humidity from RA sensor. Displays ---% if sensor sends invalid value, if not connected, short or out–of–range.
	IN CO2	___ ppm	0 to 2000 ppm	SPACE/RETURN AIR CO2 (CO2 sensor required, accessory or factory option) Displays value of measured CO2 from CO2 sensor. Invalid if not connected, short or out–of–range. May be adjusted in Advanced menu by Zero offset and Span.
	DCV STATUS	n/a	ON/OFF	DEMAND CONTROLLED VENTILATION STATUS (CO2 sensor required, accessory or factory option) Displays ON if IN CO2 value above setpoint DCV SET and OFF if below setpoint DCV SET.
	DAMPER OUT	2.0V	2.0 to 10.0V	Displays output voltage or position to the damper actuator. ***
	ACT POS	n/a	0 to 100%	Displays actual position of outdoor air damper actuator
	ACT COUNT	n/a	1 to 65535	Displays number of times actuator has cycled. 1 Cycle equals accrued 180° of actuator movement in any direction
	ACTUATOR	n/a	OK/Alarm (on Alarm menu)	Displays Error if voltage or torque is below actuator range
	EXH1 OUT	OFF	ON/OFF	EXHAUST STAGE 1 RELAY OUTPUT Output of EXH1 terminal. Displays On when damper position reaches programmed percentage setpoint. ON = 24 Vac Output; OFF = No Output.
	EXH2 OUT	OFF	ON/OFF	EXHAUST STAGE 2 RELAY OUTPUT Output of AUX1 O terminal Displays ON when damper position reaches programmed percentage setpoint ON = 24 Vac Output, OFF = No Output; displays only if AUX1 O = EXH2
	ERV	OFF	ON/OFF	ENERGY RECOVERY UNIT RELAY OUTPUT Output of AUX1 O terminal, ON = 24 Vac Output, OFF = No Output; displays only if AUX1 O = ERV
	MECH COOL ON or HEAT STAGES ON	0	0, 1, or 2	Displays stage of mechanical cooling that is active.  Displays the stage of heat pump heating that is active
FAN SPEED	n/a	LOW or HIGH	SUPPLY FAN SPEED Displays speed setting of fan on a 2–speed fan unit.	
W (HEAT ON)	n/a	ON/OFF	HEAT DEMAND STATUS Displays status of heat demand on a 2–speed fan unit.	

**Table 12 - Menu Structure\* (cont)**

Menu	Parameter	Parameter Default Value	Parameter Range and Increment†	EXPANDED PARAMETER NAME Notes	
SETPOINTS	MAT SET	53°F (12°C)	38 to 70°F; (3 to 21°C) increment by 1	SUPPLY AIR SETPOINT Setpoint determines where the economizer will modulate the OA damper to maintain the mixed air temperature. See Menu Note 2.	
	LOW T LOCK	32°F (0°C)	-45 to 80°F; (-43 to 27°C) increment by 1	COMPRESSOR LOW TEMPERATURE LOCKOUT Setpoint determines outdoor temperature when the mechanical cooling cannot be turned on. Commonly referred to as the Compressor lockout. At or below the setpoint the Y1-O and Y2-O will not be energized on the controller.	
	DRYBLB SET	63°F (17°C)	48 to 80°F (9 to 27°C) increment by 1	OA DRY BULB TEMPERATURE CHANGEOVER SETPOINT Setpoint determines where the economizer will assume outdoor air temperature is good for free cooling; e.g.: at 63°F (17°C), unit will economize at 62°F (16.7°C) and below and not economize at 64°F (17.8°C) and above. There is a 2°F (1.1°C) deadband. See Menu Note 3	
	ENTH CURVE	ES3	ES1, ES2, ES3, ES4, or ES5	ENTHALPY CHANGEOVER CURVE (Requires enthalpy sensor option) Enthalpy boundary "curves" for economizing using single enthalpy. See page 39 for description of enthalpy curves.	
	DCV SET	1100ppm	500 to 2000 ppm; increment by 100	DEMAND CONTROLLED VENTILATION SETPOINT Displays only if CO <sub>2</sub> sensor is connected. Setpoint for Demand Controlled Ventilation of space. Above the setpoint, the OA dampers will modulate open to bring in additional OA to maintain a space ppm level below the setpoint.	
	MIN POS	2.8 V	2 to 10 Vdc	VENTILATION MINIMUM POSITION Displays ONLY if a CO <sub>2</sub> sensor is NOT connected.	
				With 2-speed fan units MIN POS L (low speed fan) and MIN POS H (high speed fan) settings are required. Default for MIN POS L is 3.2V and MIN POS H is 2.8V.	
	VENTMAX	2.8 V	2 to 10 Vdc	DCV MAXIMUM DAMPER POSITION Displays only if a CO <sub>2</sub> sensor is connected. Used for Vbz (ventilation max cfm) setpoint. VENTMAX is the same setting as MIN POS would be if you did not have the CO <sub>2</sub> sensor.	
				100 to 9990 cfm increment by 10	If OA, MA RA and CO <sub>2</sub> sensors are connected and DCV CAL ENABLE is set to AUTO mode, the OA dampers are controlled by CFM and displays from 100 to 9990 cfm.
				2 to 10 Vdc	With 2-speed fan units VENTMAX L (low speed fan) and VENTMAX H (high speed fan) settings are required. Default for VENTMAX L is 3.2V and VENTMAX H is 2.8V.
	VENTMIN	2.25 V	2 to 10 Vdc	DCV MINIMUM DAMPER POSITION Displays only if CO <sub>2</sub> sensor is connected. Used for Va (ventilation min cfm) setpoint. This is the ventilation requirement for less than maximum occupancy of the space.	
				100 to 9990 cfm increment by 10	If OA, MA RA and CO <sub>2</sub> sensors are connected and DCV CAL ENABLE is set to AUTO mode, the OA dampers are controlled by CFM and displays from 100 to 9990 cfm.
2 to 10 Vdc				With 2-speed fan units VENTMIN L (low speed fan) and VENTMIN H (high speed fan) settings are required. Default for VENTMIN L is 2.5V and VENTMIN H is 2.25V.	
ERV OAT SP <sup>††</sup>	32°F (0°C)	0 to 50°F; (-18 to 10°C) increment by 1	ENERGY RECOVERY VENTILATION UNIT OUTDOOR AIR TEMPERATURE SETPOINT Only when AUX1 O = ERV		
EXH1 SET	50%	0 to 100%; Increment by 1	EXHAUST FAN STAGE 1 SETPOINT Setpoint for OA damper position when exhaust fan 1 is powered by the economizer. With 2-speed fan units Exh1 L (low speed fan) and Exh1 H (high speed fan) settings are required. Default for Exh1 L is 65% and Exh1 H is 50%		
EXH2 SET	75%	0 to 100%; Increment by 1	EXHAUST FAN STAGE 2 SETPOINT Setpoint for OA damper position when exhaust fan 2 is powered by the economizer. Only used when AUX1 O is set to EHX2. With 2-speed fan units Exh2 L (low speed fan) and Exh2 H (high speed fan) settings are required. Default for Exh2 L is 80% and Exh2 H is 75%		

**Table 12 - Menu Structure\* (cont)**

Menu	Parameter	Parameter Default Value	Parameter Range and Increment†	EXPANDED PARAMETER NAME Notes
<b>SYSTEM SETUP</b>	INSTALL	01/01/10		Display order = MM/DD/YY Setting order = DD, MM, then YY.
	UNITS DEG	°F	°F or °C	Sets economizer controller in degrees Fahrenheit or Celsius.
	EQUIPMENT	CONV	Conventional or HP	CONV = conventional; HP O/B = Enable Heat Pump mode. Use AUX2 I for Heat Pump input from thermostat or controller. See Menu Note 4
	AUX2 IN	n/a	Shutdown (SD) Heat (W1) HP (O) HP (B)	In CONV mode: SD = Enables configuration of shutdown (default); W = Informs controller that system is in heating mode. <b>NOTE: If using 2-speed fan mode, you must program CONV mode for W. Shutdown is not available in 2-speed fan mode. See Menu Note 4.</b>  In HP O/B mode: HP(O) = energize heat pump on Cool (default); HP(B) = energize heat pump on Heat.
	FAN SPEED	1speed	1 speed/ 2 speed	Sets economizer controller for operation of 1 speed or 2 speed supply fan. The controller does not control the fan but positions the OA and RA dampers to the heating or cooling mode. See page 33 for modes and position. <b>NOTE: 2-speed fan option also needs Heat (W1) programmed in AUX 2 In. See Menu Note 4.</b>
	FAN CFM	5000cfm	100 to 15000 cfm; increment by 100	UNIT DESIGN AIRFLOW (CFM) Enter ONLY if using DCVCAL ENA = AUTO The value is found the nameplate label for the specific RTU.
	AUX1 OUT	NONE	NONE ERV EXH2 SYS	Select OUTPUT for AUX1 O relay NONE = not configured (output is not used) ERV = Energy Recovery Ventilator †† EXH2 = second damper position 24 Vac out for second exhaust fan SYS = use output as an alarm signal
	OCC	INPUT	INPUT or ALWAYS	OCCUPIED MODE BY EXTERNAL SIGNAL When using a setback thermostat with occupancy out (24 Vac), the 24 Vac is input "INPUT" to the OCC terminal. If no occupancy output from the thermostat then change program to "ALWAYS" OR add a jumper from terminal R to OCC terminal. See Menu Note 2.
	FACTORY DEFAULT	NO	NO or YES	Resets all set points to factory defaults when set to YES. LCD will briefly flash YES and change to NO but all parameters will change to the factory default values. <b>NOTE: RECHECK AUX2 IN and FANTYPE for required 2-speed values.</b>
<b>ADVANCED SETUP</b>	MA LO SET	45°F (7°C)	35 to 65°F; (2 to 18°C) Incremented by 1°	SUPPLY AIR TEMPERATURE LOW LIMIT Temperature to activate Freeze Protection (close damper and alarm if temperature falls below setup value)
	FREEZE POS	CLO	CLO or MIN	FREEZE PROTECTION DAMPER POSITION Damper position when freeze protection is active CLO = closed MIN = MIN POS or VENTMAX
	CO2 ZERO	0ppm	0 to 500 ppm: Increment by 10	CO <sub>2</sub> ppm level to match CO <sub>2</sub> sensor start level.
	CO2 SPAN	2000ppm	1000 to 3000 ppm; Increment by 50	CO <sub>2</sub> ppm span to match CO <sub>2</sub> sensor. e.g.; 500-1500 sensor output would be 500 CO <sub>2</sub> zero and 1000 CO <sub>2</sub> span.
	STG3 DLY	2.0h	0 min, 5 min, 15 min, then 15 min intervals. Up to 4 h or OFF	COOLING STAGE 3 DELAY Delay after stage 2 for cool has been active. Turns on second stage of mechanical cooling when economizer is first stage call and mechanical cooling is second stage call. Allows three stages of cooling, 1 economizer and 2 mechanical. OFF = no Stage 3 cooling.
	SD DMPR POS	CLO	CLO or OPN	Indicates shutdown signal from space thermostat or unitary controller. When controller receives 24 Vac input on the SD terminal in conventional mode, the OA damper will open if programmed for OPN and OA damper will close if programmed for CLO. All other controls, e.g., Y1-O, Y2-O, EXH1, etc. will shut off. <b>NOTE: Function NOT AVAILABLE with 2-speed mode</b>
	DA LO ALM	45°F (7°C)	NONE 35 to 65°F; (2 to 18°C) Incremented by 5°	Used for alarm for when the DA air temperature is too low. Set lower range of alarm, below this temperature the alarm will show on the display.
	DA HI ALM	80°F (27°C)	NONE 70 to 180°F; (21 to 82°C) Incremented by 5°	Used for alarm for when the DA air temperature is too high. Set high range of alarm, above this temperature the alarm will show on the display
	DCVCAL ENA	MAN	MAN (manual) AUTO	Turns on the DCV automatic control of the dampers. Resets ventilation based on the RA, OA and MA sensor conditions. Requires all sensors (RA, OA, MA and CO <sub>2</sub> ). <b>NOTE: This operation is not operable with a 2-speed fan unit.</b>



**Table 12 - Menu Structure\* (cont)**

Menu	Parameter	Parameter Default Value	Parameter Range and Increment †	EXPANDED PARAMETER NAME Notes
<b>ADVANCED SETUP (cont)</b>	MAT T CAL	0.0°F (or C)	+/-2.5°F (+/-1.4°C)	SUPPLY AIR TEMPERATURE CALIBRATION Allows for the operator to adjust for an out of calibration supply air temperature (SAT) sensor
	OAS T CAL	1.0°F (or C)	+/-2.5°F (+/-1.4°C)	OUTSIDE AIR TEMPERATURE CALIBRATION Allows for the operator to adjust for an out of calibration outside air temperature (OAT) sensor
	OAS H CAL	0% RH	+/-10% RH	OUTSIDE AIR HUMIDITY CALIBRATION Allows for the operator to adjust for an out of outside air enthalpy sensor
	RA T CAL	0.0°F (or C)	+/-2.5°F (+/-1.4°C)	RETURN AIR TEMPERATURE CALIBRATION Allows for the operator to adjust for an out of calibration return air temperature (RA) sensor
	RA H CAL	0% RH	+/-10% RH	RETURN AIR HUMIDITY CALIBRATION Allows for the operator to adjust for an out of calibration return air enthalpy sensor
	DA T CAL	0.0°F (or C)	+/-2.5°F (+/-1.4°C)	DISCHARGE AIR TEMPERATURE CALIBRATION Allows for the operator to adjust for an out of calibration discharge air temperature (DAT) sensor
	2SP FAN DELAY	5 Minutes	0 to 20 minutes in 1 minute increments	TIME DELAY ON 2 <sup>nd</sup> STAGE ECONOMIZING When in economizing mode this is the delay for the high speed fan to try to satisfy the call for second stage cooling before the first stage mechanical cooling is enabled.
<b>CHECKOUT †††</b>	DAMPER MINIMUM POSITION	n/a	n/a	The checkout for the damper minimum positions is based on the system. See Table 13.
	DAMPER OPEN	n/a	n/a	Positions damper to the full open position. Exhaust fan contacts enable during the DAMPER OPEN test. Make sure you pause in this mode to allow for exhaust contacts to energize due to the delay in the system.
	DAMPER CLOSE	n/a	n/a	Positions damper to the fully closed position
	CONNECT Y1-O	n/a	n/a	Closes the Y1-O relay (Y1-O). See <b>CAUTION</b> on page 40.
	CONNECT Y2-O	n/a	n/a	Closes the Y2-O relay (Y2-O). See <b>CAUTION</b> on page 40.
	CONNECT AUX1-O	n/a	n/a	Energizes the AUX1-O output. If AUX1-O setting is: <ul style="list-style-type: none"> <li>• NONE – not action taken</li> <li>• ERV – 24 Vac out. Turns on or signals an ERV that the conditions are not good for economizing but are good for ERV operation. †††</li> <li>• SYS – 24 Vac out. Issues a system alarm.</li> </ul>
	CONNECT EXH1	n/a	n/a	Closes the power exhaust fan 1 relay (EXH1)

**Table 12 - Menu Structure\* (cont)**

Menu	Parameter	Parameter Default Value	Parameter Range and Increment †	EXPANDED PARAMETER NAME Notes
ALARMS(#)				<b>Alarms display only when they are active. The menu title "ALARMS(#)" includes the number of active alarms in parenthesis ( ). When using S–Bus sensors, "SYLK" will appear on the screen, and when using 20k OA temperature sensors, "SENS T" will appear on the screen.</b>
	MA T SENS ERR	n/a	n/a	SUPPLY AIR TEMPERATURE SENSOR ERROR Supply air sensor has failed or become disconnected – check wiring then replace sensor if the alarm continues
	CO2 SENS ERR	n/a	n/a	CO <sub>2</sub> SENSOR ERROR CO <sub>2</sub> sensor has failed, gone out of range or become disconnected – check wiring then replace sensor if the alarm continues
	OA SYLK T ERR	n/a	n/a	OUTSIDE AIR S–BUS SENSOR ERROR Outside air enthalpy sensor has failed or become disconnected – check wiring then replace sensor if the alarm continues
	OA SYLK H ERR	n/a	n/a	
	RA SYLK T ERR	n/a	n/a	RETURN AIR S–BUS SENSOR ERROR Return air enthalpy sensor has failed or become disconnected – check wiring then replace sensor if the alarm continues
	RA SYLK H ERR	n/a	n/a	
	DA SYLK T ERR	n/a	n/a	DISCHARGE AIR S–BUS SENSOR ERROR Discharge air sensor has failed or become disconnected – check wiring then replace sensor if the alarm continues
	OA SENS T ERR	n/a	n/a	OUTSIDE AIR TEMPERATURE SENSOR ERROR Outside air temperature sensor has failed or become disconnected – check wiring then replace sensor if the alarm continues
	ACT ERROR	n/a	n/a	ACTUATOR ERROR Actuator has failed or become disconnected – check for stall, over voltage, under voltage and actuator count. Replace actuator if damper is moveable and supply voltage is between 21.6 V and 26.4 V. Check actuator count on STATUS menu.
	FREEZE ALARM	n/a	n/a	Check if outdoor temperature is below the LOW Temp Lockout on setpoint menu. Check if Mixed air temperature on STATUS menu is below the Lo Setpoint on Advanced setup menu. When conditions are back in normal range then the alarm will go away.
	SHUTDOWN ACTIVE	n/a	n/a	AUX2 IN is programmed for SHUTDOWN and 24 V has been applied to AUX 2IN terminal
	DMP CAL RUNNING	n/a	n/a	DAMPER CALIBRATION ROUTINE RUNNING If DCV Auto enable has been programmed, when the W7220 is completing a calibration on the dampers, this alarm will display. Wait until the calibration is completed and the alarm will go away. Must have OA, MA and RA sensors for DCV calibration; set up is in the Advanced setup menu.
	DA SENS ALM	n/a	n/a	DISCHARGE AIR TEMPERATURE SENSOR ALARM Discharge air temperature is out of the range set in the ADVANCED SETUP Menu. Check the temperature of the discharge air.
	SYS ALARM	n/a	n/a	When AUX1–O is set to SYS and there is any alarm (e.g., failed sensors, etc.), the AUX1–O terminal has 24 Vac out.
	ACT UNDER V	n/a	n/a	ACTUATOR VOLTAGE LOW Voltage received at actuator is below expected range
	ACT OVER V	n/a	n/a	ACTUATOR VOLTAGE HIGH Voltage received at actuator is above expected range
	ACT STALLED	n/a	n/a	ACTUATOR STALLED Actuator stopped before reaching commanded position

\* Table 12 illustrates the complete hierarchy. Your menu parameters may be different depending on your configuration. For example if you do not have a DCV (CO<sub>2</sub>) sensor, then none of the DCV parameters appear.

† When values are displayed, pressing and holding the ▲ or ▼ button causes the display to automatically increment.

\*\* n/a = not applicable

†† ERV Operation: When in Cooling mode AND the conditions are NOT OK for economizing – the ERV terminal will be energized. In the Heating mode the ERV terminal will be energized when the OA is below the ERV OAT setpoint in the setpoint menu.

\*\*\* When used with communicating actuator the damper out is reported in XX.X% open verses XX.X Vdc.

††† After 10 minutes without a command or mode change, the controller will change to normal operation.

**Menu Notes**

- STATUS -> OCCUPIED** – The factory-standard Occupancy signal originates with a thermostat or other controller call for indoor fan operation at CTB terminal G. This signal passes through the Central Terminal Board's OCCUPIED jumper JMP1 to the ECONO connector and to the W7220's OCC input terminal. An external timeclock or relay is required to implement an Occupancy schedule on the economizer damper position.
- STATUS -> MA TEMP, SETPOINTS -> MAT SET** – The W7220 menu parameters and labels include designations MA, MAT and Mixed Air for the economizer cooling control sensor. On these rooftop units, the economizer control sensor is located downstream of the evaporator/indoor coil in the supply fan section where this sensor is designated as Supply Air Temperature (SAT) sensor.
- SETPOINTS -> DRYBLB SET** – This point is not displayed if a Return Air (differential) temperature sensor or an Outdoor Air enthalpy sensor is connected.
- SYSTEM SETUP** parameters must be configured as noted for 2-Speed unit operation:  
**EQUIPMENT** = CONV  
**AUX2 I** = W  
**FAN TYPE** = 2SPEED

**Table 13 – Damper Minimum Position Settings and Readings on Checkout Menu**

Fan Speed	Demand Controlled Ventilation (CO <sub>2</sub> Sensor)	Setpoints	Checkout
1	NO	MIN POS	VMAX – HS
1	NO	N/A	N/A
2	NO	MIN POS H	VMAX – HS
2	NO	MIN POS L	VMAX – LS
1	YES	VENT MIN	VMIN – HS
1	YES	VENT MAX	VMAX – HS
2	YES	VENT MIN H	VMIN – HS
2	YES	VENT MAX H	VMAX – LS
2	YES	VENT MIN L	N/A
2	YES	VENT MAX L	N/A

**Sequence of Operation**

**Table 14 – Dry Bulb Operation No DCV (CO<sub>2</sub> Sensor) - 1 Speed Fan**

Demand Controlled Ventilation (DCV)	Outside Air – Good to economize?	Y1-I	Y2-I	Fan Speed	Y1-O	Y2-O	Occupied	Unoccupied
None	No	Off	Off	High	0-v/Off	0-v/Off	MIN POS	Closed
		On	Off	High	24-v/On	0-v/Off	MIN POS	Closed
		On	On	High	24-v/On	24-v/On	MIN POS	Closed
None	Yes	Off	Off	High	0-v/Off	0-v/Off	MIN POS	Closed
		On	Off	High	0-v/Off	0-v/Off	MIN POS to Full-Open	Closed to Full-Open
		On	On	High	24-v/On	0-v/Off *	MIN POS to Full-Open	Closed to Full-Open

\* With stage 3 delay (STG3 DLY) in Advanced setup menu can turn on second stage of mechanical cooling Y2 –O after the delay if the call for Y1 –I and Y2 –I have not been satisfied.

**Table 15 – Dry Bulb Operation With DCV (CO<sub>2</sub> Sensor) - 1 Speed Fan**

Demand Controlled Ventilation (DCV)	Outside Air – Good to economize?	Y1-I	Y2-I	Fan Speed	Y1-O	Y2-O	Occupied	Unoccupied
Below CO <sub>2</sub> set	No	Off	Off	High	0-v/Off	0-v/Off	VENTMIN	Closed
		On	Off	High	24-v/On	0-v/Off	VENTMIN	Closed
		On	On	High	24-v/On	24-v/On	VENTMIN	Closed
	Yes	Off	Off	High	0-v/Off	0-v/Off	VENTMIN	Closed
		On	Off	High	0-v/Off	0-v/Off	VENTMIN to Full-Open	Closed to Full-Open
		On	On	High	24-v/On	0-v/Off*	VENTMIN to Full-Open	Closed to Full-Open
Above CO <sub>2</sub> set	No	Off	Off	High	0-v/Off	0-v/Off	VENTMIN to VENTMAX	Closed
		On	Off	High	24-v/On	0-v/Off	VENTMIN to VENTMAX	Closed
		On	On	High	24-v/On	24-v/On	VENTMIN to VENTMAX	Closed
	Yes	Off	Off	High	0-v/Off	0-v/Off	VENTMIN to VENTMAX	Closed
		On	Off	High	0-v/Off	0-v/Off	VENTMIN to Full-Open	Closed to Full-Open
		On	On	High	24-v/On	0-v/Off*	VENTMIN to Full-Open	Closed to Full-Open

\* With stage 3 delay (STG3 DLY) in Advanced setup menu can turn on second stage of mechanical cooling Y2 –O after the delay if the call for Y1 –I and Y2 –I have not been satisfied.

**Table 16 – Enthalpy Operation No DCV (CO<sub>2</sub> Sensor) - 1 Speed Fan**

Demand Controlled Ventilation (DCV)	Outside Air – Good to economize?	Y1-I	Y2-I	Fan Speed	Y1-O	Y2-O	Occupied	Unoccupied
None	No	Off	Off	High	0-v/Off	0-v/Off	MIN POS	Closed
		On	Off	High	24-v/On	0-v/Off	MIN POS	Closed
		On	On	High	24-v/On	24-v/On	MIN POS	Closed
None	Yes	Off	Off	High	0-v/Off	0-v/Off	MIN POS	Closed
		On	Off	High	0-v/Off	0-v/Off	MIN POS to Full-Open	Closed to Full-Open
		On	On	High	24-v/On	0-v/Off*	MIN POS to Full-Open	Closed to Full-Open

\* With stage 3 delay (STG3 DLY) in Advanced setup menu can turn on second stage of mechanical cooling Y2 –O after the delay if the call for Y1 –I and Y2 –I have not been satisfied.

**Table 17 – Enthalpy Operation No DCV (CO<sub>2</sub> Sensor) - 1 Speed Fan**

Demand Controlled Ventilation (DCV)	Outside Air – Good to economize?	Y1-I	Y2-I	Fan Speed	Y1-O	Y2-O	Occupied	Unoccupied
Below set	No	Off	Off	High	0-v/Off	0-v/Off	VENTMIN	Closed
		On	Off	High	24-v/On	0-v/Off	VENTMIN	Closed
		On	On	High	24-v/On	24-v/On	VENTMIN	Closed
	Yes	Off	Off	High	0-v/Off	0-v/Off	VENTMIN	Closed
		On	Off	High	0-v/Off	0-v/Off	VENTMIN to Full-Open	Closed to Full-Open
		On	On	High	24-v/On	0-v/Off*	VENTMIN to Full-Open	Closed to Full-Open
Above set	No	Off	Off	High	0-v/Off	0-v/Off	VENTMIN to VENTMAX	Closed
		On	Off	High	24-v/On	0-v/Off	VENTMIN L to VENTMAX	Closed
		On	On	High	24-v/On	24-v/On	VENTMIN H to VENTMAX	Closed
	Yes	Off	Off	High	0-v/Off	0-v/Off	VENTMIN L to VENTMAX	Closed
		On	Off	High	0-v/Off	0-v/Off	VENTMIN to Full-Open	Closed to Full-Open
		On	On	High	DELAY † 24-v/On	0-v/Off *	VENTMIN to Full-Open	Closed to Full-Open

\* With stage 3 delay (STG3 DLY) in Advanced setup menu can turn on second stage of mechanical cooling Y2 –O after the delay if the call for Y1 –I and Y2 –I have not been satisfied.

† With 2SP FAN DELAY (Advanced Setup Menu) when in the economizing mode there is a delay for the high speed fan to try to satisfy the call for second stage cooling by turning on the fan to high and opening the OA damper 100% before the first stage mechanical cooling is enabled.

**Table 18 – Dry Bulb Operation No DCV (CO<sub>2</sub> Sensor) - 2 Speed Fan**

Demand Controlled Ventilation (DCV)	Outside Air – Good to economize?	Y1-I	Y2-I	Fan Speed	Y1-O	Y2-O	Occupied	Unoccupied
None	No	Off	Off	Low	0-v/Off	0-v/Off	MIN POS L	Closed
		On	Off	Low	24-v/On	0-v/Off	MIN POS L	Closed
		On	On	High	24-v/On	24-v/On	MIN POS H	Closed
None	Yes	Off	Off	Low	0-v/Off	0-v/Off	MIN POS L	Closed
		On	Off	Low	0-v/Off	0-v/Off	MIN POS L to Full-Open	Closed to Full-Open
		On	On	High	DELAY † 24-v/On	0-v/Off*	MIN POS H to Full-Open	Closed to Full-Open

\* With stage 3 delay (STG3 DLY) in Advanced setup menu can turn on second stage of mechanical cooling Y2 –O after the delay if the call for Y1 –I and Y2 –I have not been satisfied.

† With 2SP FAN DELAY (Advanced Setup Menu) when in the economizing mode there is a delay for the high speed fan to try to satisfy the call for second stage cooling by turning on the fan to high and opening the OA damper 100% before the first stage mechanical cooling is enabled.

**Table 19 – Dry Bulb Operation With DCV (CO<sub>2</sub> Sensor) - 2 Speed Fan**

Demand Controlled Ventilation (DCV)	Outside Air – Good to economize?	Y1-I	Y2-I	Fan Speed	Y1-O	Y2-O	Occupied	Unoccupied
Below set	No	Off	Off	Low	0-v/Off	0-v/Off	VENTMIN L	Closed
		On	Off	Low	24-v/On	0-v/Off	VENTMIN L	Closed
		On	On	High	24-v/On	24-v/On	VENTMIN H	Closed
	Yes	Off	Off	Low	0-v/Off	0-v/Off	VENTMIN L	Closed
		On	Off	Low	0-v/Off	0-v/Off	VENTMIN L to Full-Open	Closed to Full-Open
		On	On	High	24-v/On	0-v/Off*	VENTMIN H to Full-Open	Closed to Full-Open
Above set	No	Off	Off	Low	0-v/Off	0-v/Off	VENTMIN L to VENTMAX	Closed
		On	Off	Low	24-v/On	0-v/Off	VENTMIN L to VENTMAX	Closed
		On	On	High	24-v/On	24-v/On	VENTMIN H to VENTMAX	Closed
	Yes	Off	Off	Low	0-v/Off	0-v/Off	VENTMIN L to VENTMAX	Closed
		On	Off	Low	0-v/Off	0-v/Off	VENTMIN L to Full-Open	Closed to Full-Open
		On	On	High	DELAY † 24-v/On	0-v/Off*	VENTMIN H to Full-Open	Closed to Full-Open

\* With stage 3 delay (STG3 DLY) in Advanced setup menu can turn on second stage of mechanical cooling Y2 –O after the delay if the call for Y1 –I and Y2 –I have not been satisfied.

† With 2SP FAN DELAY (Advanced Setup Menu) when in the economizing mode there is a delay for the high speed fan to try to satisfy the call for second stage cooling by turning on the fan to high and opening the OA damper 100% before the first stage mechanical cooling is enabled.

**Table 20 – Enthalpy Operation No DCV (CO<sub>2</sub> Sensor) - 2 Speed Fan**

Demand Controlled Ventilation (DCV)	Outside Air – Good to economize?	Y1-I	Y2-I	Fan Speed	Y1-O	Y2-O	Occupied	Unoccupied
NO CO <sub>2</sub> SENSOR	No	Off	Off	Low	0-v/Off	0-v/Off	MIN POS L	Closed
		On	Off	Low	24-v/On	0-v/Off	MIN POS L	Closed
		On	On	High	24-v/On	24-v/On	MIN POS H	Closed
	Yes	Off	Off	Low	0-v/Off	0-v/Off	MIN POS L	Closed
		On	Off	Low	0-v/Off	0-v/Off	MIN POS L to Full-Open	Closed to Full-Open
		On	On	High	DELAY † 24-v/On	0-v/Off*	MIN POS H to Full-Open	Closed to Full-Open

\* With stage 3 delay (STG3 DLY) in Advanced setup menu can turn on second stage of mechanical cooling Y2 –O after the delay if the call for Y1 –I and Y2 –I have not been satisfied.

† With 2SP FAN DELAY (Advanced Setup Menu) when in the economizing mode there is a delay for the high speed fan to try to satisfy the call for second stage cooling by turning on the fan to high and opening the OA damper 100% before the first stage mechanical cooling is enabled.

**Table 21 – Enthalpy Operation With DCV (CO<sub>2</sub> Sensor) - 2 Speed Fan**

Demand Controlled Ventilation (DCV)	Outside Air – Good to economize?	Y1-I	Y2-I	Fan Speed	Y1-O	Y2-O	Occupied	Unoccupied
Below set	No	Off	Off	Low	0-v/Off	0-v/Off	VENTMIN L	Closed
		On	Off	Low	24-v/On	0-v/Off	VENTMIN L	Closed
		On	On	High	24-v/On	24-v/On	VENTMIN H	Closed
	Yes	Off	Off	Low	0-v/Off	0-v/Off	VENTMIN L	Closed
		On	Off	Low	0-v/Off	0-v/Off	VENTMIN L to Full-Open	Closed to Full-Open
		On	On	High	24-v/On	0-v/Off*	VENTMIN H to Full-Open	Closed to Full-Open
Above set	No	Off	Off	Low	0-v/Off	0-v/Off	VENTMIN L to VENTMAX	Closed
		On	Off	Low	24-v/On	0-v/Off	VENTMIN L to VENTMAX	Closed
		On	On	High	24-v/On	24-v/On	VENTMIN H to VENTMAX	Closed
	Yes	Off	Off	Low	0-v/Off	0-v/Off	VENTMIN L to VENTMAX	Closed
		On	Off	Low	0-v/Off	0-v/Off	VENTMIN L to Full-Open	Closed to Full-Open
		On	On	High	DELAY † 24-v/On	0-v/Off*	VENTMIN H to Full-Open	Closed to Full-Open

\* With stage 3 delay (STG3 DLY) in Advanced setup menu can turn on second stage of mechanical cooling Y2 –O after the delay if the call for Y1 –I and Y2 –I have not been satisfied.

† With 2SP FAN DELAY (Advanced Setup Menu) when in the economizing mode there is a delay for the high speed fan to try to satisfy the call for second stage cooling by turning on the fan to high and opening the OA damper 100% before the first stage mechanical cooling is enabled.

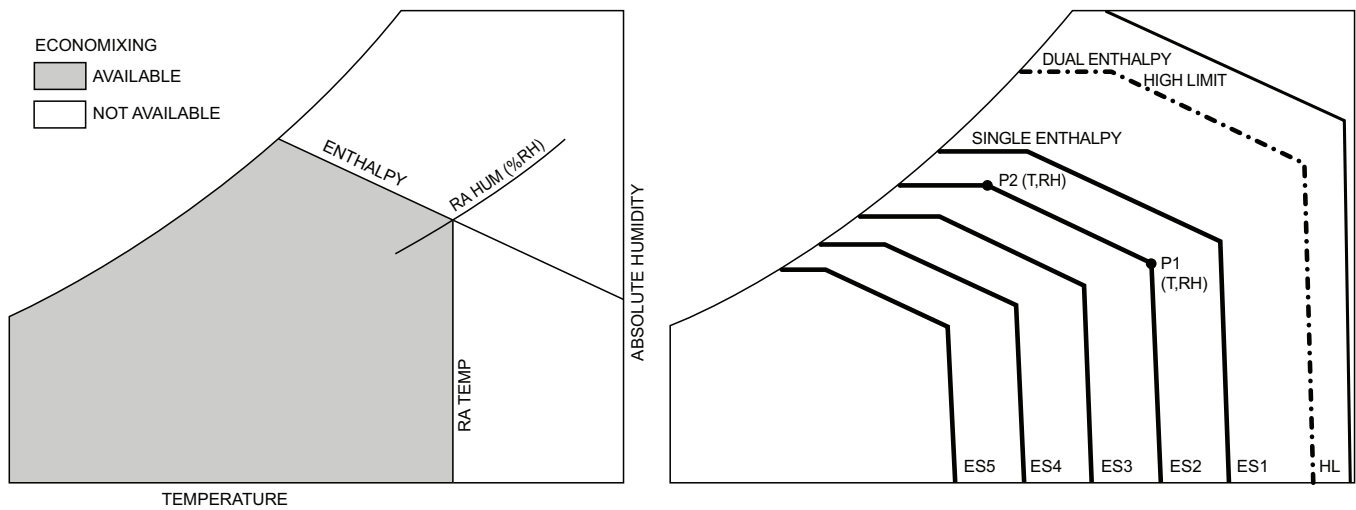


Fig. 45 - Single Enthalpy Curve and Boundaries

C12015

Table 22 – Single Enthalpy and Dual Enthalpy High Limit Curves (EN Units)

Enthalpy Curve	Temp. Dry-Bulb (°F)	Temp. Dewpoint (°F)	Enthalpy (btu/lb/da)	Point P1		Point P2	
				Temp. (°F)	Humidity %RH	Temp. (°F)	Humidity %RH
ES1	80.0	60.0	28.0	80.0	36.8	66.3	80.1
ES2	75.0	57.0	26.0	75.0	39.6	63.3	80.0
ES3	70.0	54.0	24.0	70.0	42.3	59.7	81.4
ES4	65.0	51.0	22.0	65.0	44.8	55.7	84.2
ES5	60.0	48.0	20.0	60.0	46.9	51.3	88.5
HL	86.0	66.0	32.4	86.0	38.9	72.4	80.3

### Enthalpy Settings

When the OA temperature, enthalpy and dew point are below the respective setpoints, the outdoor air can be used for economizing. Fig. 45 shows the new single enthalpy boundaries in the W7220. There are 5 boundaries (setpoints ES1 through ES5), which are defined by dry bulb temperature, enthalpy and dew point.

Refer to Table 22 for ENTH CURVE setpoint values.

The W7220 calculates the enthalpy and dew point using the OA temperature and humidity input from the OA enthalpy sensor. When the OA temperature, OA humidity and OA dew point are all below the selected boundary, the economizer sets the economizing mode to YES, economizing is available.

When all of the OA conditions are above the selected boundary, the conditions are not good to economize and the mode is set to NO.

Fig. 45 shows the 5 current boundaries. There is also a high limit boundary for differential enthalpy. The high limit boundary is ES1 when there are no stages of mechanical cooling energized and HL (high limit) when a compressor stage is energized.

Table 22 provides the values for each boundary limit.

### Two-Speed Fan Operation

The W7220 controller has the capability to work with a system using a 2-speed supply fan. The W7220 does not control the supply directly but uses the following input status to determine the speed of the supply fan and controls the OA damper to the required position.

State	Fan Speed
OCC	Low
Y1	Low
Y2	High
W	High

The W (heating mode) is not controlled by the W7220 but it requires the status to know where to position the OA damper for minimum position for the fan speed.

The 2 speed fan delay is available when the system is programmed for 2 speed fan (in the System Setup menu item). The 2 speed fan delay is defaulted to 5 minutes and can be changed in the Advanced Setup menu item. When the unit has a call for Y1 In and in the free cooling mode and there is a call for Y2 In, the 2-speed fan delay starts and the OA damper will modulate 100% open, the supply fan should be set to high speed by the unit controller. After the delay one of two actions will happen:

- The Y2 In call will be satisfied with the damper 100% open and fan on high speed and the call will turn off

OR

- If the call for additional cooling in the space has not been satisfied then the first stage of mechanical cooling will be enabled through Y1 Out or Y2 Out.

### **Checkout**

Inspect all wiring connections at the economizer module’s terminals, and verify compliance with the installation wiring diagrams.

For checkout, review the Status of each configured parameter and perform the Checkout tests.

**NOTE:** See “Interface Overview” on page 28 for information about menu navigation and use of the keypad.

**⚠ WARNING**

**ELECTRICAL SHOCK HAZARD**

Failure to follow this warning could cause personal injury, death or property damage.

Before performing service or maintenance operations on unit, always turn off main power switch to unit and install lock(s) and lockout tag(s). Unit may have more than one power switch. Ensure electrical service to rooftop unit agrees with voltage and amperage listed on the unit rating plate.

If any wiring changes are required, first be sure to remove power from the economizer module before starting work. Pay particular attention to verifying the power connection (24 Vac).

### **Power Up —**

After the W7220 module is mounted and wired, apply power.

### **Initial Menu Display —**

On initial start up, **Honeywell** displays on the first line and **Economizer W7220** on the second line. After a brief pause, the revision of the software appears on the first line and the second line will be blank.

### **Power Loss (Outage or Brownout) —**

All setpoints and advanced settings are restored\* after any power loss or interruption.

### **Status —**

Use the Status menu (see Table 12) to check the parameter values for the various devices and sensors configured.

**NOTE:** See “Interface Overview” on page 28 for information about menu navigation and use of the keypad.

### **Checkout Tests —**

Use the Checkout menu (on page 33) to test the damper operation and any configured outputs. Only items that are configured are shown in the Checkout menu.

\* All settings are stored in non-volatile flash memory.

**NOTE:** See “Interface Overview” on page 28 for information about menu navigation and use of the keypad.

To perform a Checkout test:

1. Scroll to the desired test in the Checkout menu using the the ▲ and ▼ buttons.
2. Press the ← button to select the item.
3. RUN? appears.
4. Press the ← button to start the test.
5. The unit pauses and then displays IN PROGRESS.
6. When the test is complete, DONE appears.
7. When all desired parameters have been tested, press the ⏪ (Menu up) button to end the test.

The Checkout tests can all be performed at the time of installation or at any time during the operation of the system as a test that the system is operable.

**⚠ CAUTION**

**EQUIPMENT DAMAGE HAZARD**

Failure to follow this caution may result in equipment damage.

Be sure to allow enough time for compressor startup and shutdown between checkout tests so that you do not short-cycle the compressors.

## **Troubleshooting**

### **Alarms —**

The Economizer module provides alarm messages that display on the 2-line LCD.

**NOTE:** Upon power up, the module waits 60 minutes before checking for alarms. This allows time for all the configured devices (e.g. sensors, actuator) to become operational. The exception is the SAT sensor which will alarm immediately.

If one or more alarms are present and there has been no keypad activity for at least 5 minutes, the Alarms menu displays and cycles through the active alarms.

You can also navigate to the Alarms menu at any time.

### **Clearing Alarms —**

Once the alarm has been identified and the cause has been removed (e.g. replaced faulty sensor), the alarm can be cleared from the display.

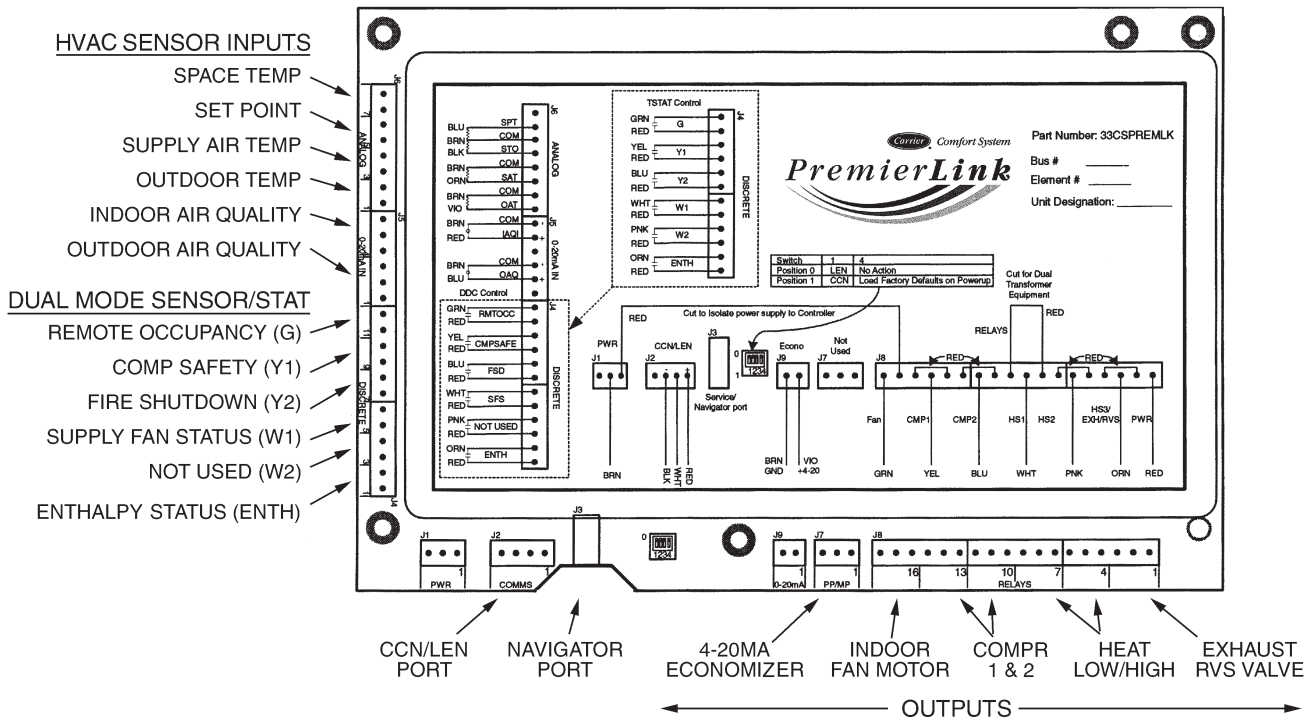
To clear an alarm, perform the following:

1. Navigate to the desired alarm.
2. Press the ← button.
3. ERASE? displays.
4. Press the ← button.
5. ALARM ERASED displays.
6. Press the ⏪ (Menu up/Exit) button to complete the action and return to the previous menu.

**NOTE:** If the alarm still exists after you clear it, it is redisplayed within 5 seconds.



**PremierLink™ Controller (Factory Option)**



**Fig. 46 - PremierLink Controller**

C08199

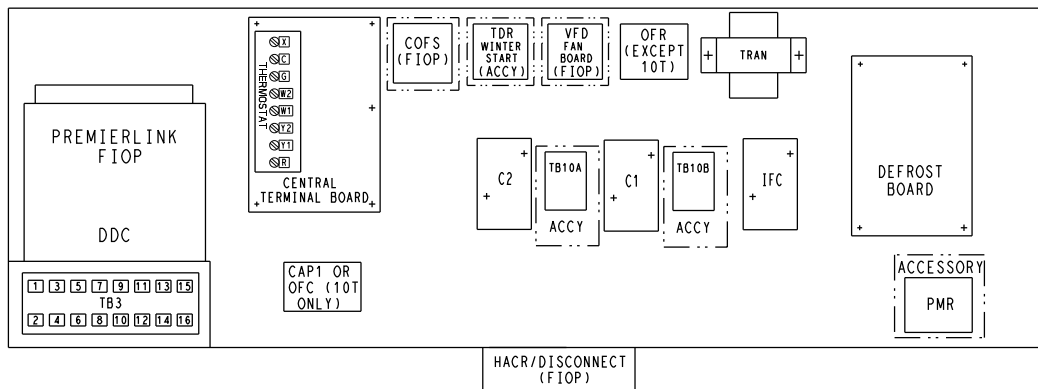
The PremierLink controller (see Fig. 46) is compatible with Carrier Comfort Network® (CCN) devices. This control is designed to allow users the access and ability to change factory-defined settings, thus expanding the function of the standard unit control board. CCN service access tools include System Pilot™, Touch Pilot™ and Service Tool. (Standard tier display tools Navigator™ and Scrolling Marquee are not suitable for use with latest PremierLink controller (Version 2.x).)

The PremierLink controller is factory-mounted in the 50TCQ unit's main control box to the left of the Central Terminal Board (CTB). Factory wiring is completed through harnesses connected to the CTB thermostat. Field connections are made at a 16-pole terminal block (TB1) located on the bottom shelf of the unit control box in front

of the PremierLink controller. The factory-installed PremierLink control includes the supply-air temperature (SAT) sensor. The outdoor air temperature (OAT) sensor is included in the FIOP/accessory EconoMiSer® 2 package.

The PremierLink controller requires the use of a Carrier electronic thermostat or a CCN connection for time broadcast to initiate its internal timeclock. This is necessary for broadcast of time of day functions (occupied/unoccupied).

**NOTE:** PremierLink controller is shipped in Sensor mode. To be used with a thermostat, the PremierLink controller must be configured to Thermostat mode. Refer to PremierLink Configuration instructions for Operating Mode.



**Fig. 47 - 50TCQ Control Box – PremierLink Location**

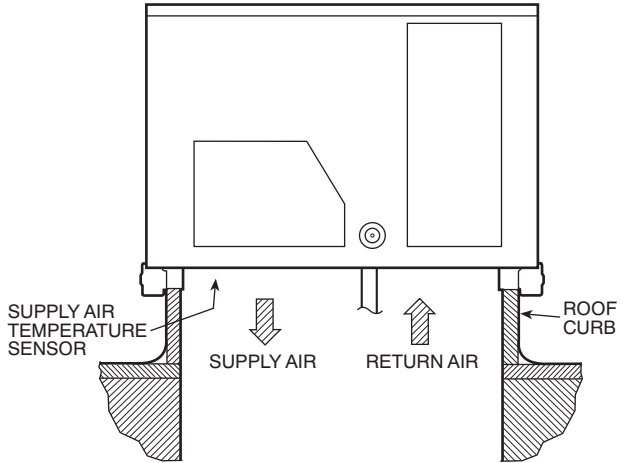
C150037



### Supply Air Temperature (SAT) Sensor —

Units with a factory-installed PremierLink™ controller include a supply-air temperature (SAT) sensor (33ZCSENSAT). This sensor is a tubular probe type, approx 6-inches (152 mm) in length. It is a nominal 10-k ohm thermistor.

The SAT is factory-wired. The SAT probe is wire-tied to the supply-air opening (on the horizontal opening end) in its shipping position. Remove the sensor for installation. Re-position the sensor in the flange of the supply-air opening or in the supply air duct (as required by local codes). Drill or punch a 1/2-in. hole in the flange or duct. Use two field-supplied, self-drilling screws to secure the sensor probe in a horizontal orientation. See Fig. 49.



**Fig. 49 - Typical Mounting Location for Supply Air Temperature (SAT) Sensor on Small Rooftop Units**

**NOTE:** Refer to PremierLink™ Controller Installation, Start-up, and Configuration Instructions for complete configuration, operating sequences and troubleshooting information. Have a copy of this manual available at unit start-up.

**NOTE:** The sensor must be mounted in the discharge airstream downstream of the cooling coil and any heating devices. Be sure the probe tip does not come in contact with any of the unit's heater surfaces.

### Outdoor Air Temperature (OAT) Sensor —

The OAT is factory-mounted in the EconoMiSer®2 (FIOP or accessory). It is a nominal 10k ohm thermistor attached to an eyelet mounting ring.

### EconoMiSer2 —

The PremierLink controller is used with EconoMiSer2 unit (option or accessory) for outdoor air management. The damper position is controlled directly by the PremierLink controller; the EconoMiSer2 unit has no internal logic device.

Outdoor air management functions can be enhanced with field-installation of these accessory control devices:

- Enthalpy control (outdoor air or differential sensors)
- Space CO<sub>2</sub> sensor
- Outdoor air CO<sub>2</sub> sensor

Refer to Table 23 on page 44 for accessory part numbers.

### Field Connections

Field connections for accessory sensor and input devices are made at the 16-pole terminal block (TB1) located on the control box bottom shelf in front of the PremierLink controller (see Fig. 48). Some input devices also require a 24-vac signal source; connect at CTB terminal R at "THERMOSTAT" connection strip for this signal source. See connections figures on following pages for field connection locations (and for continued connections at the PremierLink controller board inputs).

Table 24 (on page 44) provides a summary of field connections for units equipped with Space Sensor. Table 25 (on page 45) provides a summary of field connections for units equipped with space thermostat.

**Table 23 – PremierLink Controller Sensor Usage**

APPLICATION	OUTDOOR AIR TEMPERATURE SENSOR	RETURN AIR TEMPERATURE SENSOR	OUTDOOR AIR ENTHALPY SENSOR	RETURN AIR ENTHALPY SENSOR
Differential Dry Bulb Temperature with PremierLink (PremierLink requires 4–20 mA Actuator)	Included – CRTEMPSN001A00	Required – 33ZCT55SPT or equivalent	–	–
Single Enthalpy with PremierLink (PremierLink requires 4–20mA Actuator)	Included – Not Used	–	Requires – 33CSENTHSW	–
Differential Enthalpy with PremierLink (PremierLink requires 4–20mA Actuator)	Included – Not Used	–	Requires – 33CSENTHSW or equivalent	Requires – 33CSENSEN or equivalent

**NOTES:**

CO<sub>2</sub> Sensors (Optional):

33ZCSENCO2 – Room sensor (adjustable). Aspirator box is required for duct mounting of the sensor.

33ZCASPCO2 – Aspirator box used for duct-mounted CO<sub>2</sub> room sensor.

33ZCT55CO2 – Space temperature and CO<sub>2</sub> room sensor with override.

33ZCT56CO2 – Space temperature and CO<sub>2</sub> room sensor with override and setpoint.

**Table 24 – Space Sensor Mode**

TB1 TERMINAL	FIELD CONNECTION	INPUT SIGNAL
1	T55–SEN/T56–SEN	Analog (10k thermistor)
2	RMTOCC	Discrete, 24VAC
3	T55–SEN/T56–SEN	Analog (10k thermistor)
4	CMPSAFE	Discrete, 24VAC
5	T56–SET	Analog (10k thermistor)
6	FSD	Discrete, 24VAC
7	LOOP–PWR	Analog, 24VDC
8	SFS	Discrete, 24VAC
9	IAQ–SEN	Analog, 4–20mA
10	FILTER	Discrete, 24VAC
11	IAQ–COM/OAQ–COM/RH–COM	Analog, 4–20mA
12	CCN + (RED)	Digital, , 5VDC
13	OAQ–SEN/RH–SEN	Analog, 4–20mA
14	CCN Gnd (WHT)	Digital, 5VDC
15	AUX OUT(Power Exhaust)	(Output)Discrete 24VAC
16	CCN – (BLK)	Digital, 5VDC

**LEGEND:**

T55 – Space Temperature Sensor

T56 – Space Temperature Sensor

CCN – Carrier Comfort Network (communication bus)

CMPSAFE – Compressor Safety

FILTER – Dirty Filter Switch

FSD – Fire Shutdown

IAQ – Indoor Air Quality (CO<sub>2</sub>)

OAQ – Outdoor Air Quality (CO<sub>2</sub>)

RH – Relative Humidity

SFS – Supply Fan Status

**Table 25 – Thermostat Mode**

<b>TB1 TERMINAL</b>	<b>FIELD CONNECTION</b>	<b>INPUT SIGNAL</b>
1	RAT SEN	Analog (10k thermistor)
2	G	Discrete, 24VAC
3	RAT SEN	Analog (10k thermistor)
4	Y1	Discrete, 24VAC
5	—	—
6	Y2	Discrete, 24VAC
7	LOOP – PWR	Analog, 24VDC
8	W1	Discrete, 24VAC
9	IAQ – SEN	Analog, 4 – 20mA
10	W2	Discrete, 24VAC
11	IAQ – COM/OAQ – COM/RH – COM	Analog, 4 – 20mA
12	CCN + (RED)	Digital, 5VDC
13	OAQ – SEN/RH – SEN	Analog, 4 – 20mA
14	CCN Gnd (WHT)	Digital, 5VDC
15	AUX OUT (Power Exhaust)	(Output) Discrete 24VAC
16	CCN – (BLK)	Digital, 5VDC

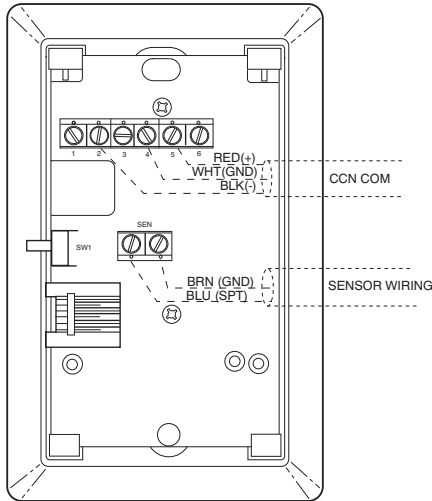
**LEGEND:**

CCN – Carrier Comfort Network (communication bus)  
 G – Thermostat Fan  
 IAQ – Indoor Air Quality (CO<sub>2</sub>)  
 OAQ – Outdoor Air Quality (CO<sub>2</sub>)  
 RAT – Return Air Temperature

RH – Relative Humidity  
 W1 – Thermostat Heat Stage 1  
 W2 – Thermostat Heat Stage 2  
 Y1 – Thermostat Cool Stage 1  
 Y2 – Thermostat Cool Stage 2

## Space Sensors —

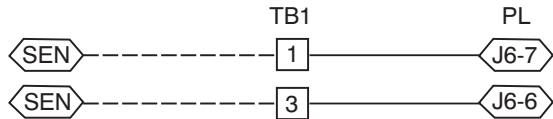
The PremierLink™ controller is factory-shipped configured for Space Sensor Mode. A Carrier T-55 or T-56 space sensor must be used. T-55 space temperature sensor provides a signal of space temperature to the PremierLink controller. T-56 provides same space temperature signal plus it allows for adjustment of space temperature setpoints from the face of the sensor by the occupants.



C08201

**Fig. 50 - T-55 Space Temperature Sensor Wiring**

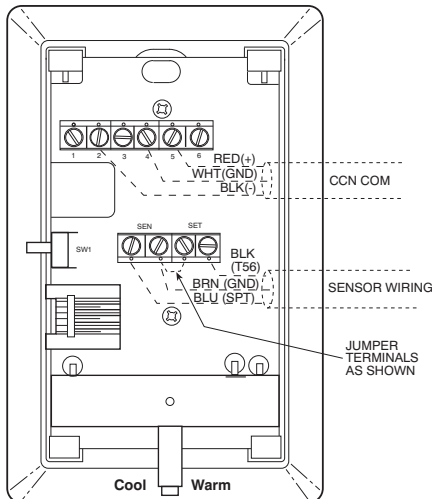
**Connect T-55:** See Fig. 50 for typical T-55 internal connections. Connect the T-55 SEN terminals to TB1 terminals 1 and 3 (see Fig. 51).



C08212

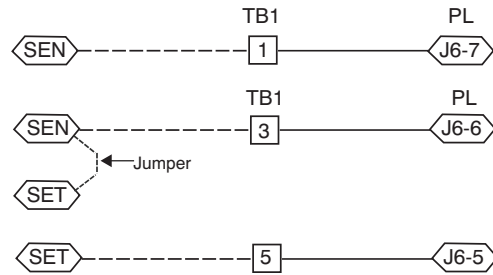
**Fig. 51 - PremierLink Controller T-55 Sensor**

**Connect T-56:** See Fig. 52 for T-56 internal connections. Install a jumper between SEN and SET terminals as illustrated. Connect T-56 terminals to TB1 terminals 1, 3 and 5 (see Fig. 53).



C08202

**Fig. 52 - T-56 Internal Connections**



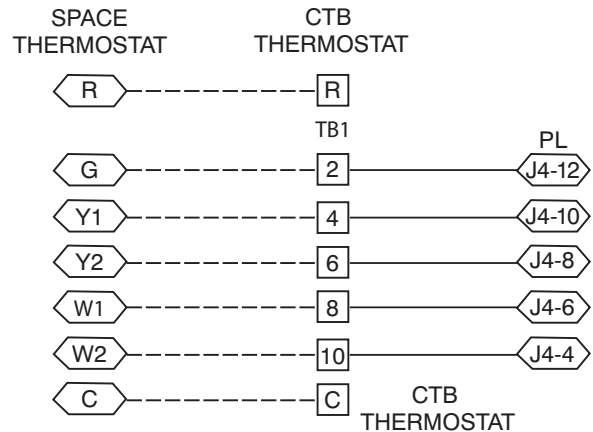
C08213

**Fig. 53 - PremierLink Controller T-56 Sensor**

## Connect Thermostat —

A 7-wire thermostat connection requires a 24-v power source and a common connection. Use the R and C terminals on the CTB's THERMOSTAT connection strip for these. Connect the thermostat's Y1, Y2, W1, W2 and G terminals to PremierLink TB1 as shown in Fig. 54.

If the 50TCQ unit is equipped with factory-installed smoke detector(s), disconnect the factory BLU lead at TB1-6 (Y2) before connecting the thermostat. Identify the BLU lead originating at CTB-DDC-1; disconnect at TB1-6 and tape off. Confirm that the second BLU lead at TB1-6 remains connected to the PremierLink controller at J4-8.



C08119

**Fig. 54 - Space Thermostat Connections**

If the 50TCQ unit has an economizer system and free-cooling operation is required, a sensor representing Return Air Temperature must also be connected (field-supplied and installed). This sensor may be a T-55 Space Sensor (see Fig. 50) installed in the space or in the return duct, or it may be sensor P/N 33ZCSENSAT, installed in the return duct. Connect this sensor to TB1-1 and TB1-3 per Fig. 51.

## Configure the Unit for Thermostat Mode —

Connect to the CCN bus using a CCN service tool and navigate to PremierLink Configuration screen for Operating Mode. Default setting is Sensor Mode (value 1). Change the value to 0 to reconfigure the controller for Thermostat Mode.

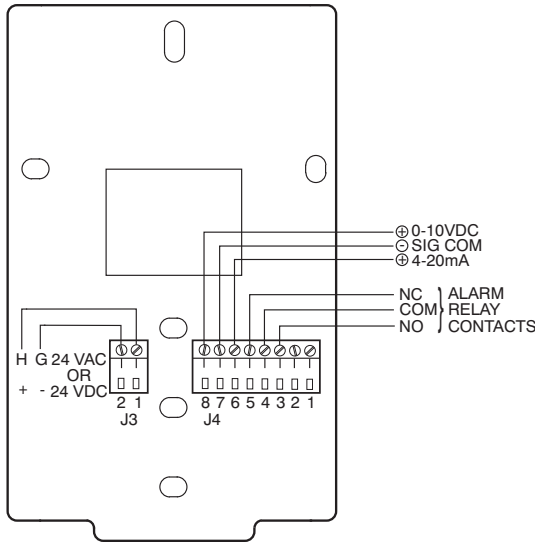
When the PremierLink controller is configured for Thermostat Mode, these functions are not available: Fire Shutdown (FSD), Remote Occupied (RMT OCC), Compressor Safety (CMPSAFE), Supply Fan Status (SFS), and Filter Pressure Switch (FILTER).

## Economizer Controls

### Indoor Air Quality (CO<sub>2</sub>) Sensor —

The indoor air quality sensor accessory monitors space carbon dioxide (CO<sub>2</sub>) levels. This information is used to monitor IAQ levels. Several types of sensors are available, for wall mounting in the space or in return duct, with and without LCD display, and in combination with space temperature sensors. Sensors use infrared technology to measure the levels of CO<sub>2</sub> present in the space air.

The CO<sub>2</sub> sensors are all factory set for a range of 0 to 2000 ppm and a linear mA output of 4 to 20. Refer to the instructions supplied with the CO<sub>2</sub> sensor for electrical requirements and terminal locations. See Fig. 55 for typical CO<sub>2</sub> sensor wiring schematic.



C08635

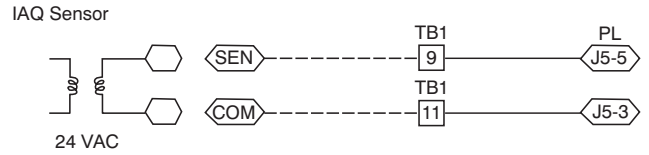
**Fig. 55 - Indoor/Outdoor Air Quality (CO<sub>2</sub>) Sensor (33ZCSENC02) - Typical Wiring Diagram**

To accurately monitor the quality of the air in the conditioned air space, locate the sensor near a return-air grille (if present) so it senses the concentration of CO<sub>2</sub> leaving the space. The sensor should be mounted in a location to avoid direct breath contact.

Do not mount the IAQ sensor in drafty areas such as near supply ducts, open windows, fans, or over heat sources. Allow at least 3 ft (0.9 m) between the sensor and any corner. Avoid mounting the sensor where it is influenced by the supply air; the sensor gives inaccurate readings if the supply air is blown directly onto the sensor or if the supply air does not have a chance to mix with the room air before it is drawn into the return airstream.

**Wiring the Indoor Air Quality Sensor:** For each sensor, use two 2-conductor 18 AWG (American Wire Gauge) twisted-pair cables (unshielded) to connect the separate isolated 24 vac power source to the sensor and to connect the sensor to the control board terminals.

To connect the sensor to the control, identify the positive (4 to 20 mA) and ground (SIG COM) terminals on the sensor. See Fig. 55. Connect the 4-20 mA terminal to terminal TB1-9 and connect the SIG COM terminal to terminal TB1-11. See Fig. 56.



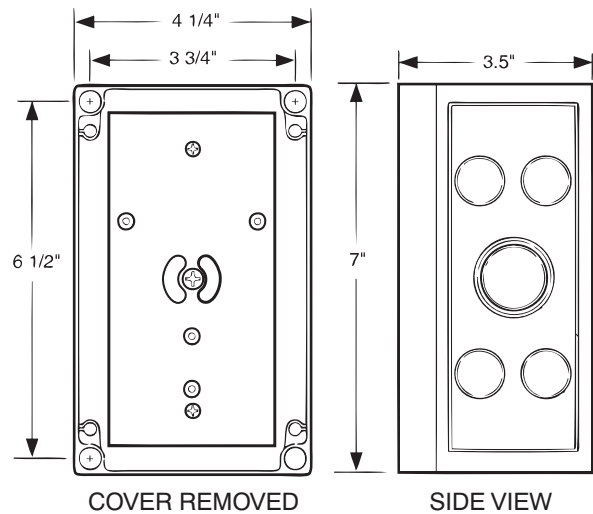
C08636

**Fig. 56 - Indoor CO<sub>2</sub> Sensor (33ZCSENC02) Connections**

Refer to PremierLink™ Controller Installation, Start-up, and Configuration Instructions, for detailed configuration information.

### Outdoor Air Quality Sensor (P/N 33ZCSENC02 plus weatherproof enclosure) —

The outdoor air CO<sub>2</sub> sensor is designed to monitor carbon dioxide (CO<sub>2</sub>) levels in the outside ventilation air and interface with the ventilation damper in an HVAC system. The OAQ sensor is packaged with an outdoor cover. See Fig. 57. The outdoor air CO<sub>2</sub> sensor must be located in the economizer outside air hood.

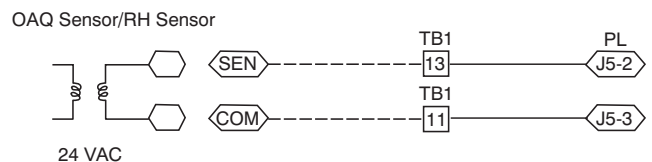


C07135

**Fig. 57 - Outdoor Air Quality Sensor Cover**

**Wiring the Outdoor Air CO<sub>2</sub> Sensor:** A dedicated power supply is required for this sensor. A two-wire cable is required to wire the dedicated power supply for the sensor. The two wires should be connected to the power supply and terminals 1 and 2.

To connect the sensor to the control, identify the positive (4 to 20 mA) and ground (SIG COM) terminals on the OAQ sensor. See Fig. 55. Connect the 4 to 20 mA terminal to the TB1-13 terminal of the 50TCQ. Connect the SIG COM terminal to the TB1-11 terminal of the 50TCQ unit. See Fig. 58.



C08275

**Fig. 58 - Outdoor CO<sub>2</sub> Sensor Connections**

### Space Relative Humidity Sensors —

Space Relative Humidity Sensors are not used with 50TCQ units at this time.

### Smoke Detector/Fire Shutdown (FSD) —

This function is available only when the PremierLink™ controller is configured for (Space) Sensor Mode. The unit is factory-wired for PremierLink FSD operation when the PremierLink controller is factory-installed.

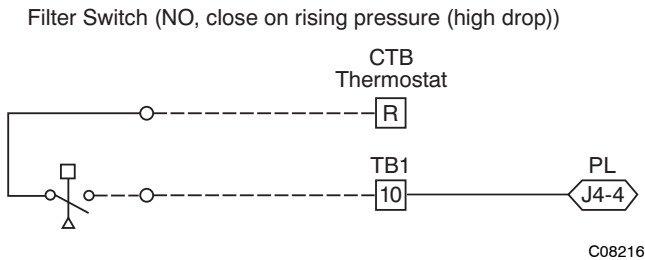
On 50TCQ units equipped with factory-installed Smoke Detector(s), the smoke detector controller implements the unit shutdown through its NC contact set connected to the unit's CTB input. The FSD function is initiated via the smoke detector's Alarm NO contact set. The PremierLink controller communicates the smoke detector's tripped status to the CCN building control. See Fig. 48 (PremierLink controller wiring schematic).

### Filter Status Switch —

This function is available only when the PremierLink controller is configured for (Space) Sensor Mode.

The PremierLink controller can monitor return filter status in two ways: By monitoring a field-supplied/installed filter pressure switch or via supply fan runtime hours.

Using switch input: Install the dirty filter pressure switch according to switch manufacturer's instructions, to measure pressure drop across the unit's return filters. Connect one side of the switch's NO contact set to CTB's THERMOSTAT-R terminal. Connect the other side of the NO contact set to TB1-10. Setpoint for Dirty Filter is set at the switch. See Fig. 59.



**Fig. 59 - PremierLink Controller Filter Switch Connection**

When the filter switch's NO contact set closes as filter pressure drop increases (indicating dirt-laden filters), the input signal to PremierLink causes the filter status point to read "DIRTY".

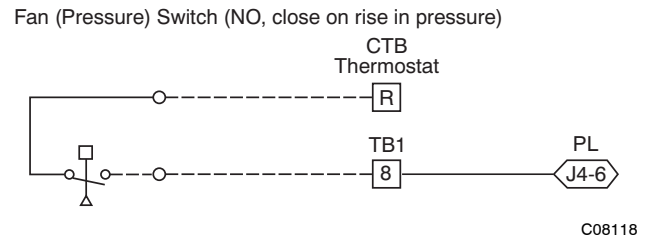
Using Filter Timer Hours: Refer to the PremierLink™ Controller Installation, Start-up, and Configuration Instructions manual for instructions on using the PremierLink Configuration screens and on unit alarm sequence.

### Supply Fan Status Switch —

The PremierLink controller can monitor supply fan operation through a field-supplied/installed differential pressure switch. This sequence will prevent (or interrupt) operation of unit cooling, heating and economizer functions until the pressure switch contacts are closed indicating proper supply fan operation.

Install the differential pressure switch in the supply fan section according to switch manufacturer's instructions. Arrange the switch contact to be open on no flow and to close as pressure rises indicating fan operation.

Connect one side of the switch's NO contact set to CTB's THERMOSTAT-R terminal. Connect the other side of the NO contact set to TB1-8. Setpoint for Supply Fan Status is set at the switch. See Fig. 60.

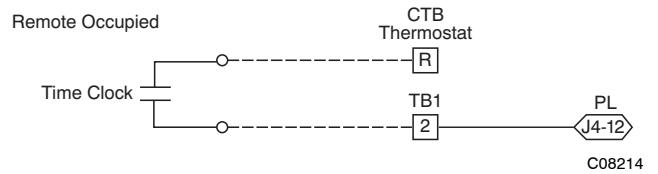


**Fig. 60 - PremierLink Controller Wiring Fan Pressure Switch Connection**

### Remote Occupied Switch —

The PremierLink controller permits a remote timeclock to override the control's on-board occupancy schedule and place the unit into Occupied mode. This function may also provide a "Door Switch" time delay function that will terminate cooling and heating functions after a 2 to 20 minute delay.

Connect one side of the NO contact set on the timeclock to CTB's THERMOSTAT-R terminal. Connect the other side of the timeclock contact to the unit's TB1-2 terminal (see Fig. 61).



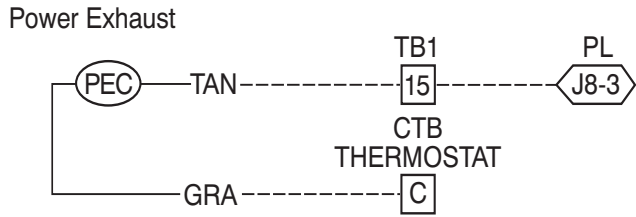
**Fig. 61 - PremierLink Controller Wiring Remote Occupied**

Refer to the PremierLink™ Controller Installation, Start-up, and Configuration Instructions for additional information on configuring the PremierLink controller for Door Switch timer function.



**Power Exhaust (output) —**

Connect the accessory Power Exhaust contactor coils(s) per Fig. 62.



C08120

**Fig. 62 - PremierLink Controller Power Exhaust Output Connection**

**CCN Communication Bus —**

The PremierLink™ controller connects to the bus in a daisy chain arrangement. Negative pins on each component must be connected to respective negative pins, and likewise, positive pins on each component must be connected to respective positive pins. The controller signal pins must be wired to the signal ground pins. Wiring connections for CCN must be made at the 3-pin plug.

At any baud (9600, 19200, 38400 baud), the number of controllers is limited to 239 devices maximum. Bus length may not exceed 4000 ft, with no more than 60 total devices on any 1000-ft section. Optically isolated RS-485 repeaters are required every 1000 ft.

**NOTE:** Carrier device default is 9600 baud.

**Communications Bus Wire Specifications:** The CCN Communication Bus wiring is field-supplied and field-installed. It consists of shielded 3-conductor cable with drain (ground) wire. The cable selected must be identical to the CCN Communication Bus wire used for the entire network.

See Table 26 for recommended cables.

**Table 26 – Recommended Cables**

MANUFACTURER	CABLE PART NO.
Alpha	2413 or 5463
American	A22503
Belden	8772
Columbia	02525

**NOTE:** Conductors and drain wire must be at least 20 AWG, stranded, and tinned copper. Individual conductors must be insulated with PVC, PVC/nylon, vinyl, Teflon\*, or polyethylene. An aluminum/polyester 100% foil shield and an outer jacket of PVC, PVC/nylon, chrome vinyl, or Teflon with a minimum operating temperature range of -20°C to 60°C is required. Do not run communication wire in the same conduit as or next to any AC voltage wiring.

The communication bus shields must be tied together at each system element. If the communication bus is entirely within one building, the resulting continuous shield must be connected to ground at only one single point. If the communication bus cable exits from one building and enters another building, the shields must be connected to the grounds at a lightning suppressor in each building (one point only).

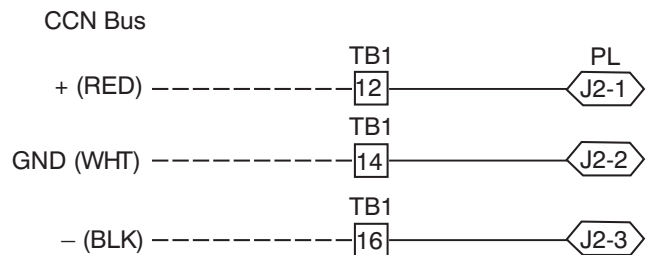
**Connecting CCN bus:**

**NOTE:** When connecting the communication bus cable, a color code system for the entire network is recommended to simplify installation and checkout. See Table 27 for the recommended color code.

**Table 27 – Color Code Recommendations**

SIGNAL TYPE	CCN BUS WIRE COLOR	CCN PLUG PIN NUMBER
+	Red	1
Ground	White	2
-	Black	3

Connect the CCN (+) lead (typically RED) to the unit’s TB1-12 terminal. Connect the CCN (ground) lead (typically WHT) to the unit’s TB1-14 terminal. Connect the CCN (-) lead (typically BLK) to the unit’s TB1-16 terminal. See Fig. 63.



C08276

**Fig. 63 - PremierLink Controller CCN Bus Connections**

\* Teflon is a registered trademark of DuPont.

## RTU Open Controller System

The RTU Open controller is factory-mounted in the 50TCQ unit's main control box (see Fig. 65), to the left of the CTB. Factory wiring is completed through harnesses connected to the CTB. Field connections for RTU Open controller sensors will be made at the PCB connectors on the RTU Open board. The factory-installed RTU Open controller includes the supply-air temperature (SAT) sensor. The outdoor air temperature (OAT) sensor is included in the FIOP/accessory EconoMi\$er<sup>®</sup>2 package.

The RTU Open controller is an integrated component of the Carrier rooftop unit. Its internal application programming provides optimum performance and energy

efficiency. The RTU Open controller enables the unit to run in 100% stand-alone control mode, Carrier's i-Vu<sup>®</sup> Open network, or a Third Party Building Automation System (BAS). On-board DIP switches allow you to select your protocol (and baud rate) of choice among the four most popular protocols in use today: BACnet\*, Modbus†, Johnson N2 and LonWorks\*\*. (See Fig. 64.)

Refer to Table 28, RTU Open Controller Inputs and Outputs for locations of all connections to the RTU Open board.

**NOTE:** The RTU Open controller acts as an intelligent imbedded thermostat. A room thermostat cannot be used with the RTU Open controller.

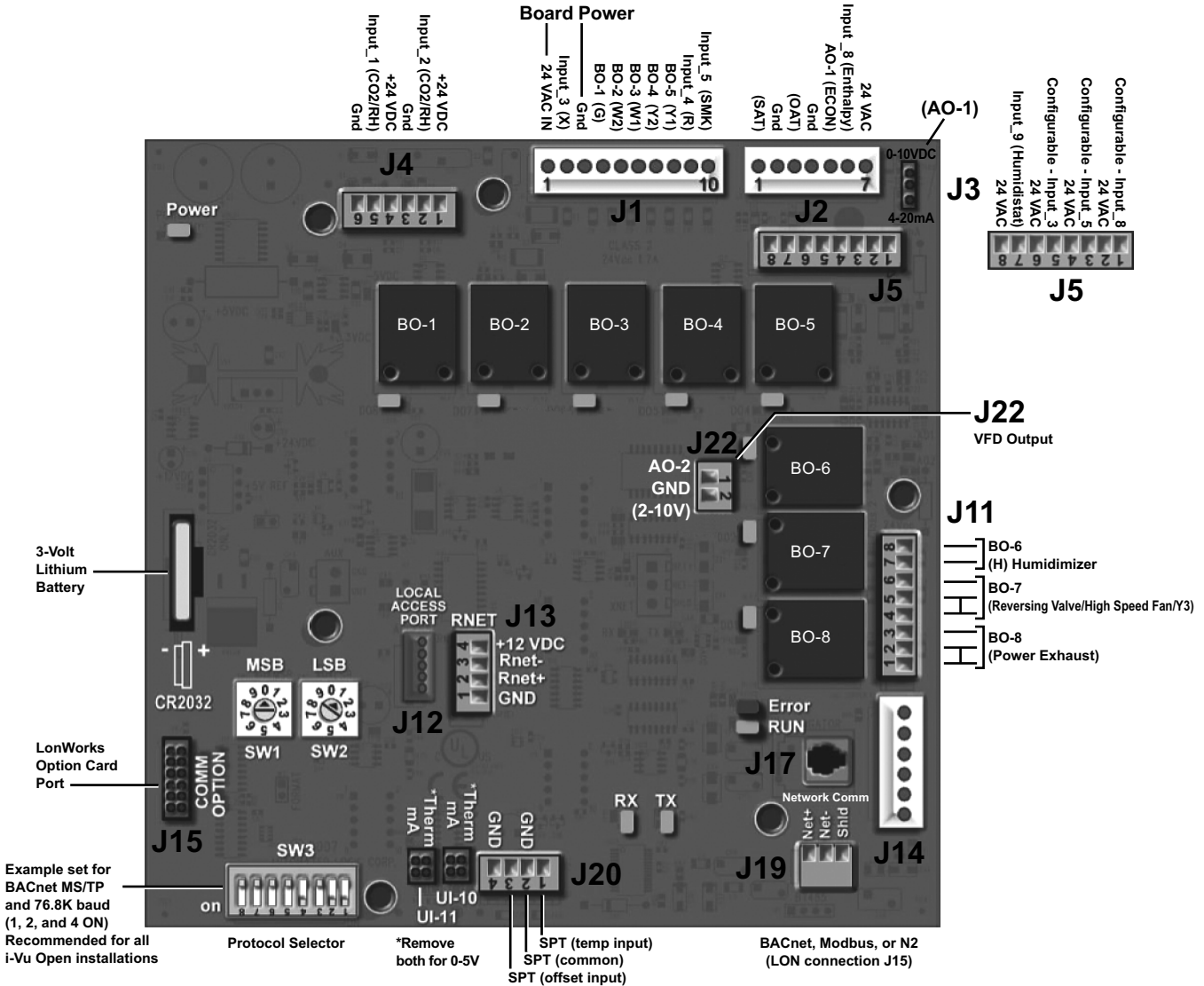


Fig. 64 - RTU Open Multi-Protocol Control Board

C14129

\* BACnet is a registered trademark of ASHRAE (American Society of Heating, Refrigerating and Air-Conditioning Engineers).

† Modbus is a registered trademark of Schneider Electric.

\*\* LonWorks is a registered trademark of Echelon Corporation.

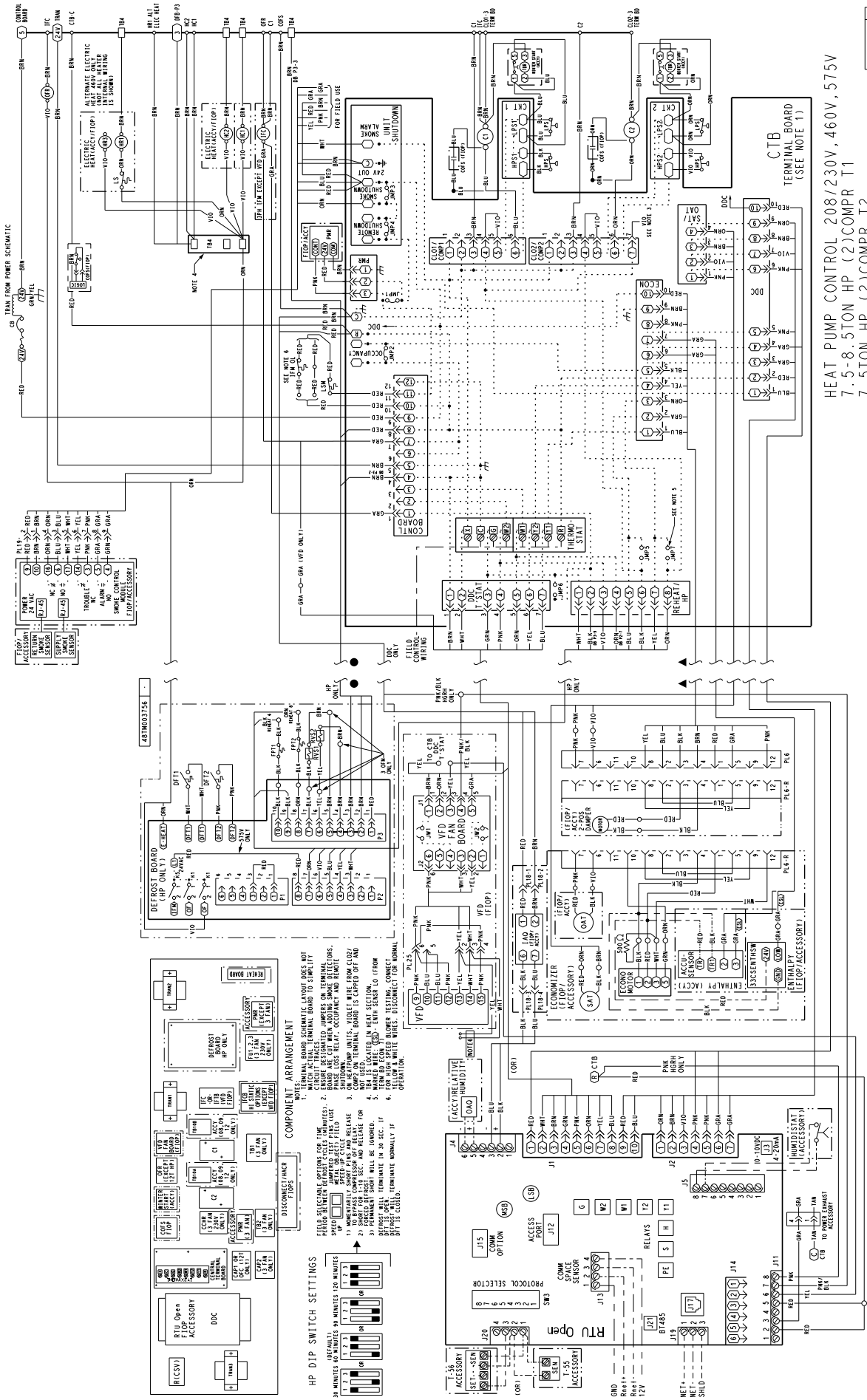


Fig. 65 - RTU Open Controller Wiring Diagram

**Table 28 – RTU Open Controller Inputs and Outputs**

POINT NAME	BACnet OBJECT NAME	TYPE OF I/O	CONNECTION PIN NUMBER(S)	CHANNEL DESIGNATION
<b>DEDICATED INPUTS</b>				
Space Temp / Zone Temp	zone_temp	AI (10K Thermistor)	J20–1 and 2	Analog Input 10
Supply Air Temperature	sa_temp	AI (10K Thermistor)	J2–1 and 2	Analog Input 6
Outside Air Temperature	oa_temp	AI (10K Thermistor)	J2–3 and 4	Analog Input 7
Space Temperature Offset Pot	stpt_adj_offset	AI (100K Potentiometer)	J20–3 and 4	Analog Input 11
Safety Chain Feedback	safety_status	BI (24 VAC)	J1–9	Binary Input 4
Compressor Safety Status <sup>(1)</sup>	comp_status	BI (24 VAC)	J1–2	Binary Input 3
Fire Shutdown Status	firedown_status	BI (24 VAC)	J1–10	Binary Input 5
Enthalpy Status	enthalpy_status	BI (24 VAC)	J2–6 and 7	Binary Input 8
Humidistat Input Status	humstat_status	BI (24 VAC)	J5–7 and 8	Binary Input 9
Zone Temperature	n/a	n/a	J13–1–4	Rnet
<b>CONFIGURABLE INPUTS <sup>(4)</sup></b>				
Indoor Air CO2	iaq	AI (4–20 mA)	J4–2 and 3 or J4–5 and 6	Analog Input 2
Outdoor Air CO2	oaq	AI (4–20 mA)		Analog Input 1
Space Relative Humidity	space_rh	AI (4–20 mA)	J5–1 and 2 or J5–3 and 4, J5–5 and 6 or J5–7 and 8 <sup>(3)</sup>	Analog Input 10
Supply Fan Status <sup>(2)</sup>	sfan_status	BI (24 VAC)		Binary Input 3, 5, 8, or 9, except where intrinsic input is used
Filter Status <sup>(2)</sup>	filter_status	BI (24 VAC)		Binary Input 3, 5, 8, or 9, except where intrinsic input is used
Door Contact <sup>(2)</sup>	door_contact_status	BI (24 VAC)		Binary Input 3, 5, 8, or 9, except where intrinsic input is used
Remote Occupancy input <sup>(2)</sup>	occ_contact_status	BI (24 VAC)		Binary Input 3, 5, 8, or 9, except where intrinsic input is used
IGC input <sup>(2)</sup>	igcovr_status	BI (24 VAC)		Binary Input 9. Mandatory input on gas heat units.
<b>OUTPUTS</b>				
Economizer Output	econ_output	AO (4–20mA)	J2–5	Analog Output 1
Supply Fan VFD	vfd_output	AO (2–10Vdc)	J22–1 and 2	Analog Output 2
Supply Fan Relay	sfan	BO Relay (24VAC, 1A)	J1–4	Binary Output 1 (G)
Cool 1 Relay State	comp_1	BO Relay (24VAC, 1A)	J1–8	Binary Output 5 (Y1)
Cool 2 Relay State	comp_2	BO Relay (24VAC, 1A)	J1–7	Binary Output 4 (Y2)
Cool 3 Relay State	comp_3	BO Relay (24VAC, 1A)	J11–5 and 6	Binary Output 7 (Y3)
Heat 1 Relay State	heat_1	BO Relay (24VAC, 1A)	J1–6	Binary Output 3 (W1)
Heat 2 Relay State	heat_2	BO Relay (24VAC, 1A)	J1–5	Binary Output 2 (W2)
Power Exhaust Relay State	pexh	BO Relay (24VAC, 1A)	J11–2 and 3 (N.O.)	Binary Output 8 (PE)
Dehumidification Relay	dehum	BO Relay (24VAC, 1A)	J11–7 and 8 (N.O.)	Binary Output 6

**LEGEND**

- AI – Analog Input
- AO – Analog Output
- BI – Binary Input
- BO – Binary Output

<sup>(1)</sup> Safety Chain Feedback: 24Vac required at this terminal to provide "Run Enable" status. See Input/Output section for additional instructions.

<sup>(2)</sup> These inputs are configurable. If installed, they take the place of the default input on the specific channel. See appropriate Input Configuration Section for wiring and setup instructions.

<sup>(3)</sup> Parallel pins J5–1 = J2–6, J5–3 = J1–10, J5–5 = J1–2 are used for field installation.

<sup>(4)</sup> Refer to the input configuration and accessory sections of the RTU Open Multi–Protocol Controller Controls, Start–Up, Operation and Troubleshooting manual for more detail.

The RTU Open controller requires the use of a Carrier space sensor. A standard thermostat cannot be used with the RTU Open system.

**Supply Air Temperature (SAT) Sensor —**

On FIOP-equipped 50TCQ unit, the unit is supplied with a supply-air temperature (SAT) sensor (33ZCSENSAT). This sensor is a tubular probe type, approx 6-inches (152 mm) in length. It is a nominal 10-k ohm thermistor.

The SAT is factory-wired. The SAT probe is wire-tied to the supply-air opening (on the horizontal opening end) in its shipping position. Remove the sensor for installation. Re-position the sensor in the flange of the supply-air opening or in the supply air duct (as required by local codes). Drill or punch a 1/2-in. hole in the flange or duct. Use two field-supplied, self-drilling screws to secure the sensor probe in a horizontal orientation. See Fig. 49.

**Outdoor Air Temperature (OAT) Sensor —**

The OAT is factory-mounted in the EconoMiSer<sup>®</sup>2 (option or accessory). It is a nominal 10k ohm thermistor attached to an eyelet mounting ring.

**EconoMiSer2 —**

The RTU Open controller is used with EconoMiSer2 (option or accessory) for outdoor air management. The damper position is controlled directly by the RTU Open controller; the EconoMiSer2 unit has no internal logic device.

Outdoor air management functions can be enhanced with field-installation of these accessory control devices:

- Enthalpy control (outdoor air or differential sensors)
- Space CO<sub>2</sub> sensor
- Outdoor air CO<sub>2</sub> sensor

**Field Connections**

Field connections for accessory sensors and input devices are made to the RTU Open controller, at plugs J1, J2, J4, J5, J11 and J20. All field control wiring that connects to the RTU Open controller must be routed through the raceway built into the corner post as shown in Fig. 33. The raceway provides the UL required clearance between high and low-voltage wiring. Pass the control wires through the hole provided in the corner post, then feed the wires thorough the raceway to the RTU Open controller. Connect to the wires to the removable PCB connectors and then reconnect the connectors to the board.

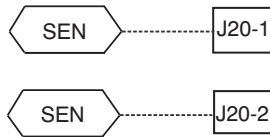
### Space Temperature (SPT) Sensors —

There are two types of SPT sensors available from Carrier, resistive input non-communicating (T55, T56, and T59) and Rnet communicating (SPS, SPPL, SPP, and SPPF) sensors. Each type has a variety of options consisting of: timed override button, set point adjustment, a LCD screen, and communication tie in. Space temperature can be also be written to from a building network or zoning system. However, it is still recommended that return air duct sensor be installed to allow stand-alone operation for back-up. Refer to the configuration section for details on controller configurations associated with space sensors.

- 33ZCT55SPT, space temperature sensor with override button (T-55)
- 33ZCT56SPT, space temperature sensor with override button and setpoint adjustment (T-56)
- 33ZCT59SPT, space temperature sensor with LCD (liquid crystal display) screen, override button, and setpoint adjustment (T-59)

Use 20 gauge wire to connect the sensor to the controller. The wire is suitable for distances of up to 500 ft. Use a three-conductor shielded cable for the sensor and setpoint adjustment connections. If the setpoint adjustment (slidebar) is not required, then an unshielded, 18 or 20 gauge, two-conductor, twisted pair cable may be used.

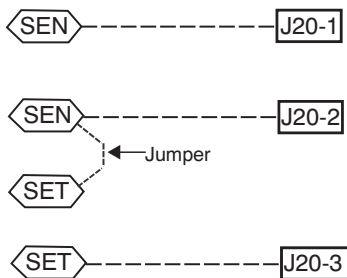
**Connect T-55:** See Fig. 50 for typical T-55 internal connections. Connect the T-55 SEN terminals to the RTU Open controller at J20-1 and J20-2. See Fig. 66.



C08460

**Fig. 66 - RTU Open Controller T-55 Sensor Connections**

**Connect T-56:** See Fig. 52 for T-56 internal connections. Install a jumper between SEN and SET terminals as illustrated. Connect T-56 terminals to RTU Open controller at J20-1, J20-2 and J20-3 per Fig. 67.

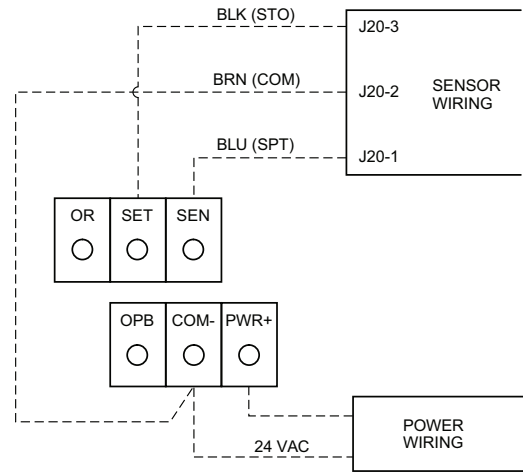


C08461

**Fig. 67 - RTU Open Controller T-56 Sensor Connections**

**Connect T-59:** The T-59 space sensor requires a separate, isolated power supply of 24 VAC. See Fig. 68 for internal connections at the T-59. Connect the SEN

terminal (BLU) to the RTU Open controller at J20-1. Connect the COM terminal (BRN) to J20-2. Connect the SET terminal (STO or BLK) to J20-3.



NOTE: Must use a separate isolated transformer.

C10291

**Fig. 68 - Space Temperature Sensor Typical Wiring (33ZCT59SPT)**

### Indoor Air Quality (CO<sub>2</sub>) Sensor —

The indoor air quality sensor accessory monitors space carbon dioxide (CO<sub>2</sub>) levels. This information is used to monitor IAQ levels. Several types of sensors are available, for wall mounting in the space or in return duct, with and without LCD display, and in combination with space temperature sensors. Sensors use infrared technology to measure the levels of CO<sub>2</sub> present in the space air.

The CO<sub>2</sub> sensors are all factory set for a range of 0 to 2000 ppm and a linear mA output of 4 to 20. Refer to the instructions supplied with the CO<sub>2</sub> sensor for electrical requirements and terminal locations. See Fig. 55 for typical CO<sub>2</sub> sensor wiring schematic.

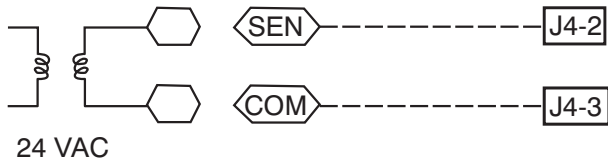
To accurately monitor the quality of the air in the conditioned air space, locate the sensor near a return-air grille (if present) so it senses the concentration of CO<sub>2</sub> leaving the space. The sensor should be mounted in a location to avoid direct breath contact.

Do not mount the IAQ sensor in drafty areas such as near supply ducts, open windows, fans, or over heat sources. Allow at least 3 ft (0.9 m) between the sensor and any corner. Avoid mounting the sensor where it is influenced by the supply air; the sensor gives inaccurate readings if the supply air is blown directly onto the sensor or if the supply air does not have a chance to mix with the room air before it is drawn into the return airstream.

**Wiring the Indoor Air Quality Sensor:** For each sensor, use two 2-conductor 18 AWG (American Wire Gage) twisted-pair cables (unshielded) to connect the separate isolated 24 vac power source to the sensor and to connect the sensor to the control board terminals.

To connect the sensor to the control, identify the positive (4 to 20 mA) and ground (SIG COM) terminals on the sensor. See Fig. 55. Connect the 4-20 mA terminal to the RTU Open controller at J4-2 and connect the SIG COM terminal to the RTU Open controller at J4-3. See Fig. 69.

### IAQ Sensor



C08462

**Fig. 69 - RTU Open Controller / Indoor CO<sub>2</sub> Sensor (33ZCSENCO2) Connections**

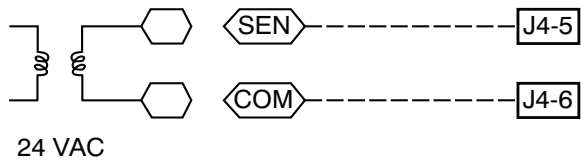
### Outdoor Air Quality Sensor (P/N 33ZCSENCO2 plus weatherproof enclosure) —

The outdoor air CO<sub>2</sub> sensor is designed to monitor carbon dioxide (CO<sub>2</sub>) levels in the outside ventilation air and interface with the ventilation damper in an HVAC system. The OAQ sensor is packaged with an outdoor cover. See Fig. 57. The outdoor air CO<sub>2</sub> sensor must be located in the economizer outside air hood.

**Wiring the Outdoor Air CO<sub>2</sub> Sensor:** A dedicated power supply is required for this sensor. A two-wire cable is required to wire the dedicated power supply for the sensor. The two wires should be connected to the power supply and terminals 1 and 2.

To connect the sensor to the control, identify the positive (4 to 20 mA) and ground (SIG COM) terminals on the OAQ sensor. See Fig. 55. Connect the 4 to 20 mA terminal to the RTU Open controller at J4-5. Connect the SIG COM terminal to the RTU Open controller at J4-6.

### OAQ Sensor



C11086

**Fig. 70 - RTU Open Controller / Outdoor CO<sub>2</sub> Sensor (33ZCSENCO2) Connections**

### Space Relative Humidity Sensor—

The Space Relative Humidity Sensor is not used with 50TCQ units at this time.

### Smoke Detector/Fire Shutdown (FSD) —

On 50TCQ units equipped with factory-installed Smoke Detector(s), the smoke detector controller implements the unit shutdown through its NC contact set connected to the unit's CTB input. The FSD function is initiated via the smoke detector's Alarm NO contact set. The RTU Open controller communicates the smoke detector's tripped status to the BAS building control. See Fig. 65 (RTU Open System controller wiring diagram).

The Fire Shutdown Switch configuration, *MENU* → *Config* → *Inputs* → *input 5*, identifies the normally open status of this input when there is no fire alarm.

### Connecting Discrete Inputs —

**Filter Status:** The filter status accessory is a field-installed accessory. This accessory detects plugged filters. When installing this accessory, the unit must be configured for filter status by setting *MENU* → *Config* → *Inputs* → *input 3, 5, 8, or 9* to Filter Status and normally open (N/O) or normally closed (N/C). Input 8 or 9 is recommended for ease of installation. Refer to Fig. 64 and 65 for wire terminations at J5.

**Fan Status:** The fan status accessory is a field-installed accessory. This accessory detects when the indoor fan is blowing air. When installing this accessory, the unit must be configured for fan status by setting *MENU* → *Config* → *Inputs* → *input 3, 5, 8, or 9* to Fan Status and normally open (N/O) or normally closed (N/C). Input 8 or 9 is recommended for ease of installation. Refer to Fig. 64 and 65 for wire terminations at J5.

**Remote Occupancy:** The remote occupancy accessory is a field-installed accessory. This accessory overrides the unoccupied mode and puts the unit in occupied mode. When installing this accessory, the unit must be configured for remote occupancy by setting *MENU* → *Config* → *Inputs* → *input 3, 5, 8, or 9* to Remote Occupancy and normally open (N/O) or normally closed (N/C).

Also set *MENU* → *Schedules* → *occupancy source* to DI on/off. Input 8 or 9 is recommended for ease of installation. Refer to Fig. 64 and Table 28 for wire terminations at J5.

**Power Exhaust (output):** The relay used by the RTU Open controller board to control power exhaust is a dry contact which means it does not have 24 vac. This 24 vac must be connected to the relay to allow it to operate the power exhaust relay in the PE accessory. A 24 vac source must be provided to J11-2 on the RTU Open controller board. This can be provided by the unit's transformer from various sources. The "R" terminal on the unit's central terminal board (CTB) is a logical source. Refer to Fig. 64 and 65 for wire terminations at J11.

### Communication Wiring - Protocols

#### General —

Protocols are the communication languages spoken by control devices. The main purpose of a protocol is to communicate information in the most efficient method possible. Different protocols exist to provide different kinds of information for different applications. In the BAS application, many different protocols are used, depending on manufacturer. Protocols do not change the function of a controller; just make the front end user different.

The RTU Open controller can be set to communicate on four different protocols: BACnet, Modbus, N2, and LonWorks. Switch 3 (SW3) on the board is used to set protocol and baud rate. Switches 1 and 2 (SW1 and SW2) are used to set the board's network address. See Fig. 71 and 72 for protocol switch settings and address switches.

The third party connection to the RTU Open controller is through plug J19. See Fig. 73 for wiring.

**NOTE:** Power must be cycled after changing the SW1-3 switch settings.

Refer to the RTU Open v3 Integration Guide for more detailed information on protocols, third party wiring, and networking.

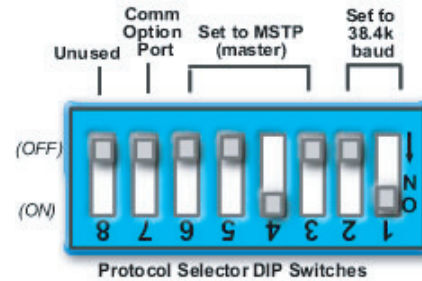
### SW3 Protocol Selection

PROTOCOL	DS8	DS7	DS6	DS5	DS4	DS3	DS2	DS1
<b>BACnet MS/TP (Master)</b>	Unused	OFF	OFF	OFF	ON	OFF	Select Baud	Select Baud
<b>Modbus (Slave)</b>	Unused	OFF	OFF	ON	ON	OFF	Select Baud	Select Baud
<b>N2 (Slave)</b>	Unused	OFF	OFF	OFF	ON	ON	OFF	OFF
<b>LonWorks</b>	Unused	ON	ON	OFF	ON	OFF	OFF	ON

NOTE:  
DS = DIP Switch  
BACnet MS/TP SW3 example shown

### Baud Rate Selections

BAUD RATE	DS2	DS1
9600	OFF	OFF
19,200	ON	OFF
38,400	OFF	ON
76,800	ON	ON



C07166

Fig. 71 - RTU Open SW3 DIP Switch Settings



Fig. 72 - RTU Open Address Switches

C10815

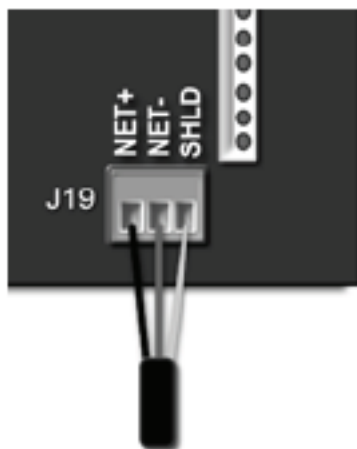


Fig. 73 - Network Wiring

C10816

### Local Access

#### Wall Mounted Equipment Touch™ Interface

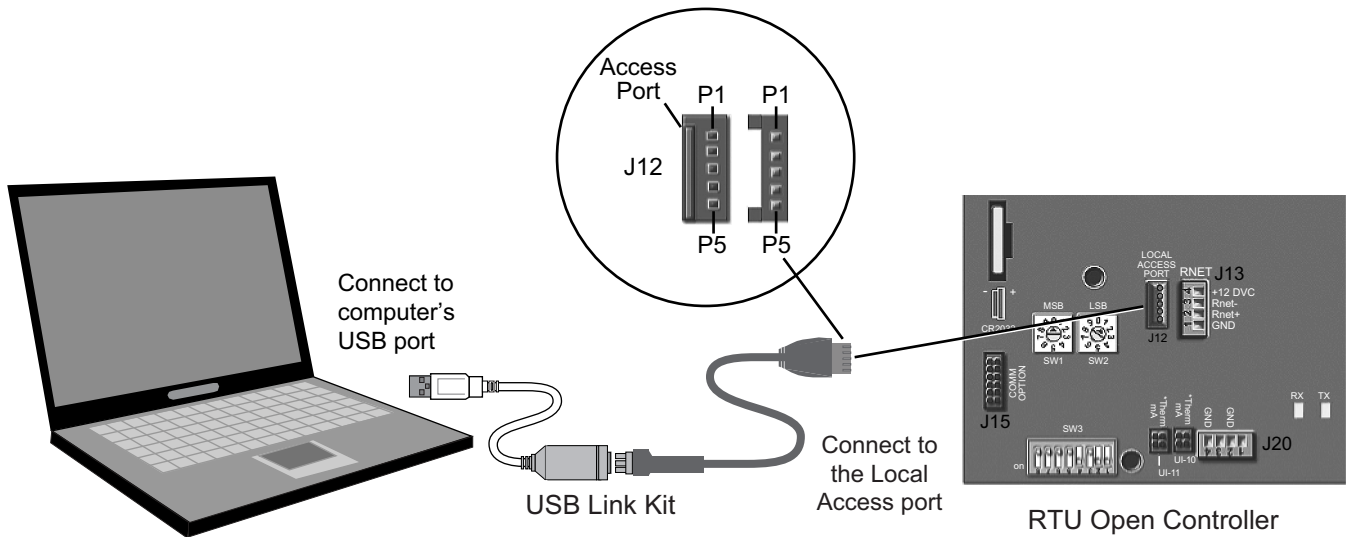
The Equipment Touch interface is a wall mounted unit used to connect to the RTU Open controller to access the control information, read sensor values, and perform maintenance. This is an accessory interface that does not come with the RTU Open controller. Wire the Equipment Touch interface to the RTU Open controller's J13 local access port. There are 2 password protected levels in the display (User and Admin). See the Equipment Touch Installation and Setup Guide for more information. See Appendix A of the guide for navigation and screen content.

#### Field Assistant

Field Assistant is a computer program included with the purchase of the Tech Tool Kit (USB-TKIT). This is a field Tech Tool to set-up, service, or download application software to the RTU Open controller and includes a USB Link Cable. The link cable connects a USB port to the J12 local access port. The Field Assistant's menu structure is similar and functions the same as i-Vu® controller. See Fig. 74.

#### RTU Open Controller Troubleshooting —

**Communication LEDs:** The LEDs indicate if the controller is speaking to the devices on the network. The LEDs should reflect communication traffic based on the baud rate set. The higher the baud rate the more solid the LEDs will appear. See Table 29.



**Fig. 74 - PC Running Field Assistant**

C14131

**Table 29 – LEDs**

The LEDs on the RTU Open show the status of certain functions

If this LED is on...	Status is...
<b>Power</b>	The RTU Open controller has power
<b>Rx</b>	The RTU Open controller is receiving data from the network segment
<b>Tx</b>	The RTU Open controller is transmitting data over the network segment
<b>BO#</b>	The binary output is active

The **Run** and **Error** LEDs indicate control module and network status

If Run LED shows...	And Error LED shows...	Status is...
2 flashes per second	Off	Normal
2 flashes per second	2 flashes, alternating with <b>Run</b> LED	Five minute auto–restart delay after system error
2 flashes per second	3 flashes, then off	Control module has just been formatted
2 flashes per second	4 flashes, then pause	Two or more devices on this network have the same MSTP network address
2 flashes per second	On	Exec halted after frequent system errors or control programs halted
5 flashes per second	On	Exec start–up aborted, Boot is running
5 flashes per second	Off	Firmware transfer in progress, Boot is running
7 flashes per second	7 flashes per second, alternating with <b>Run</b> LED	Ten second recovery period after brownout
14 flashes per second	14 flashes per second, alternating with <b>Run</b> LED	Brownout
On	On	Failure. Try the following solutions: <ul style="list-style-type: none"> <li>• Turn the RTU Open controller off, then on.</li> <li>• Format the RTU Open controller.</li> <li>• Download memory to the RTU Open controller.</li> <li>• Replace the RTU Open controller.</li> </ul>

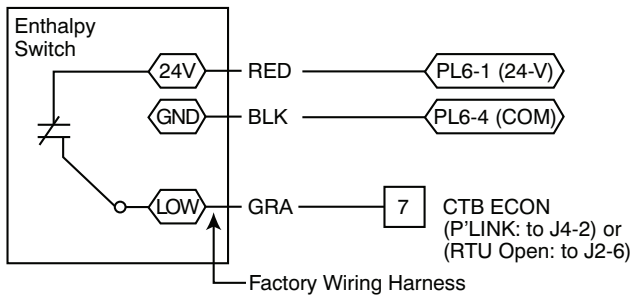
**NOTE:** Refer to the RTU Open Multi-Protocol Controller Controls, Start-Up, Operation and Troubleshooting manual for complete configuration of the RTU Open controller, operating sequences and troubleshooting information. Refer to the RTU Open v3 Integration Guide for details on configuration and troubleshooting of connected networks. Have a copy of these manuals available at unit start-up.



## Outdoor Air Enthalpy Control (P/N 33CSENTHSW)

The enthalpy control (33CSENTHSW) is available as a field-installed accessory to be used with the EconoMiSer®2 damper system. The outdoor air enthalpy sensor is part of the enthalpy control. (The separate field-installed accessory return air enthalpy sensor (33CSENTSEN) is required for differential enthalpy control. See Fig. 75.)

Locate the enthalpy control in the economizer next to the Actuator Motor. Locate two GRA leads in the factory harness and connect the gray lead labeled “ESL” to the terminal labeled “LOW”. See Fig. 75. Connect the enthalpy control power input terminals to economizer actuator power leads RED (connect to 24V) and BLK (connect to GND).



C11160

**Fig. 75 - Enthalpy Switch (33CSENTHSW) Connections**

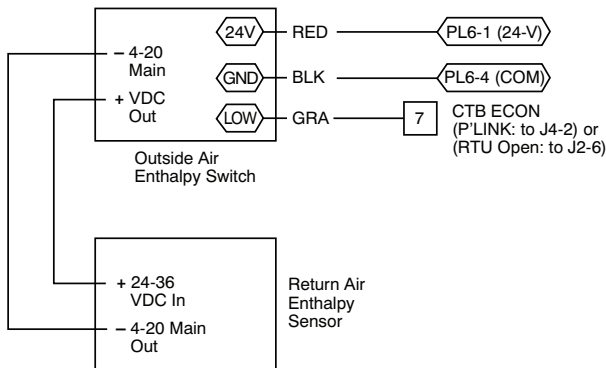
The outdoor enthalpy changeover setpoint is set at the enthalpy controller.

### **Differential Enthalpy Control —**

Differential enthalpy control is provided by sensing and comparing the outside air and return air enthalpy conditions. Install the outdoor air enthalpy control as described above. Add and install a return air enthalpy sensor.

### **Return Air Enthalpy Sensor —**

Mount the return-air enthalpy sensor (33CSENTSEN) in the return-air section of the economizer. The return air sensor is wired to the enthalpy controller (33CSENTHSW). See Fig. 76.



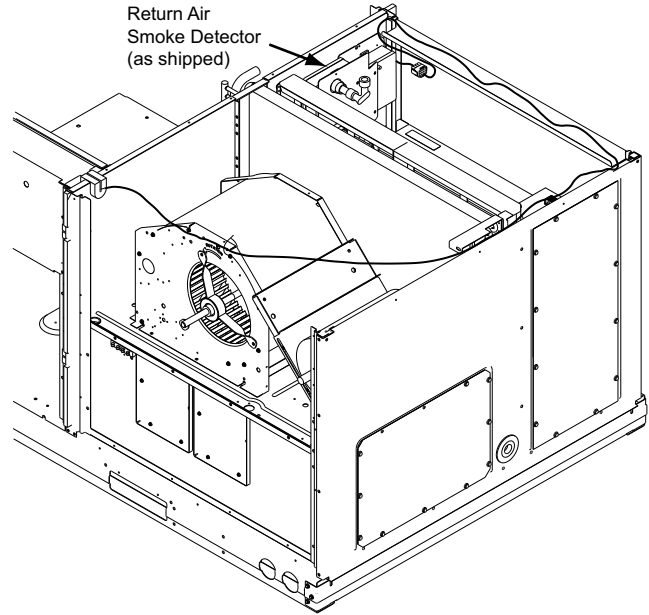
C11161

**Fig. 76 - Outside and Return Air Enthalpy Sensor Wiring**

## Smoke Detectors

Smoke detectors are available as factory-installed options on 50TCQ models. Smoke detectors may be specified for supply air only or for return air without or with economizer or in combination of supply air and return air. All components necessary for operation are factory-provided and mounted. The unit is factory-configured for immediate smoke detector shutdown operation; additional wiring or modifications to unit terminal board may be necessary to complete the unit and smoke detector configuration to meet project requirements.

Units equipped with factory-optional return air smoke detectors require a relocation of the sensor module at unit installation. See Fig. 77 for the as shipped location.



C12282

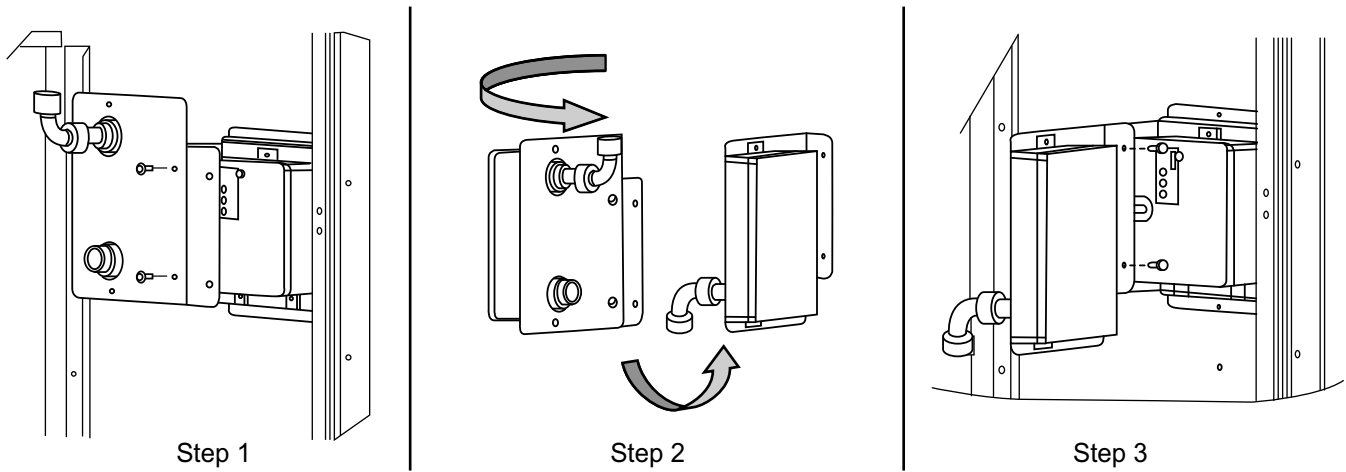
**Fig. 77 - Return Air Smoke Detector, Shipping Position**

### **Completing Installation of Return Air Smoke Sensor:**

1. Unscrew the two screws holding the Return Air Smoke Detector assembly. See Fig. 78, Step 1. Save the screws.
2. Turn the assembly 90 degrees and then rotate end to end. Make sure that the elbow fitting is pointing down. See Fig. 78, Step 2.
3. Screw the sensor and detector plate into its operating position using screws from Step 1. See Fig. 78, Step 3.
4. Connect the flexible tube on the sampling inlet to the sampling tube on the basepan.

### **Additional Application Data —**

Refer to the Application Data sheet titled Factory Installed Smoke Detectors for Small and Medium Rooftop Units 2 to 25 Tons for discussions on additional control features of these smoke detectors including multiple unit coordination.



**Fig. 78 - Completing Installation of Return Air Smoke Sensor**

C12283

**Legend and Notes for Tables 30 and 31**

**LEGEND:**

- BRKR - Circuit breaker
  - C.O. - Convenience outlet
  - DISC. - Disconnect
  - FLA - Full load amps
  - LRA - Locked rotor amps
  - MCA - Minimum circuit amps
  - P.E. - Power exhaust
  - Pwr'd fr/ unit - Powered from unit
  - PWRD C.O. - Powered convenience outlet
  - UNPWR C.O. - Unpowered convenience outlet
- NOTES:**

1. In compliance with NEC requirements for multimotor and combination load equipment (refer to NEC Articles 430 and 440), the overcurrent protective device for the unit shall be fuse or HACR breaker. Canadian units may be fuse or circuit breaker.
2. For 208/230 v units, where one value is shown it is the same for either 208 or 230 volts.
3. **Unbalanced 3-Phase Supply Voltage**  
Never operate a motor where a phase imbalance in supply voltage is greater than 2%. Use the following formula to determine the percentage of voltage imbalance.

$$\% \text{ Voltage Imbalance} = 100 \times \frac{\text{max voltage deviation from average voltage}}{\text{average voltage}}$$

Example: Supply voltage is 230-3-60



- AB = 224 v
- BC = 231 v
- AC = 226 v

$$\begin{aligned} \text{Average Voltage} &= \frac{(224 + 231 + 226)}{3} = \frac{681}{3} \\ &= 227 \end{aligned}$$

Determine maximum deviation from average voltage.

- (AB) 227 - 224 = 3 v
- (BC) 231 - 227 = 4 v
- (AC) 227 - 226 = 1 v

Maximum deviation is 4 v.

Determine percent of voltage imbalance.

$$\begin{aligned} \% \text{ Voltage Imbalance} &= 100 \times \frac{4}{227} \\ &= 1.76\% \end{aligned}$$

This amount of phase imbalance is satisfactory as it is below the maximum allowable 2%.

**IMPORTANT:** If the supply voltage phase imbalance is more than 2%, contact your local electric utility company immediately.



Table 30 - Unit Wire/Fuse or HACR Breaker Sizing Data - Single Speed Indoor Fan Motor (cont)

UNIT	NOM. V-PH-HZ	ELEC. HTR			NO C.O. or UNPWR C.O.								NO PE.								w/ PWRD C.O.			
		IFM TYPE	CRHEATER **A00	Nom (KW)	FLA	NO PE.				w/ P.E. (pwrd fr/unit)				NO PE.				w/ P.E. (pwrd fr/unit)						
						MCA	FUSE or HACR BRKR	FLA	DISC. SIZE		MCA	FUSE or HACR BRKR	FLA	DISC. SIZE		MCA	FUSE or HACR BRKR	FLA	DISC. SIZE					
50TCQD09	STD	NONE	-	-	40	50	42	208	44	46	212	45	50	47	45	49	47	213	49	60	52	217		
		117A	7.8/10.4	21.7/25.0	68/72	70/80	67/71	230/233	71/76	71/75	234/237	72/77	80/80	74/78	75/79	72/275	76/80	235/228	76/80	80/80	77/81	239/242		
		110A	12.0/16.0	33.4/38.5	82/89	90/90	80/86	241/247	86/92	85/91	245/251	87/93	90/100	88/94	89/94	86/92	86/92	246/252	91/97	100/100	90/96	250/256		
		111A	18.6/24.8	51.7/59.7	105/115	110/125	101/111	260/268	109/119	106/115	264/272	110/120	110/125	108/118	112/122	109/119	107/116	265/273	114/124	125/125	111/120	269/277		
		112A	24.0/32.0	66.7/77.0	124/137	125/150	119/130	275/285	128/141	123/135	279/289	129/142	150/150	126/137	131/144	127/139	124/136	280/290	132/145	150/150	128/140	284/294		
		112A+117A	31.8/42.4	88.4/102.0	151/168	175/175	144/159	385/412	155/172	148/164	389/416	156/173	175/175	151/166	158/175	149/165	390/417	160/177	175/200	153/169	175/200	394/421		
	MED	NONE	-	-	43	50	45	245	47	49	249	48	60	48	60	50	50	250	51	60	54	254		
		117A	7.8/10.4	21.7/25.0	70/74	70/80	69/73	267/270	74/78	74/78	271/274	75/79	80/80	78/83	80/80	75/79	79/83	272/275	79/83	80/90	79/83	276/279		
		110A	12.0/16.0	33.4/38.5	85/91	90/100	83/89	278/284	88/95	87/93	282/288	89/96	90/100	88/94	89/96	86/94	283/289	93/100	100/100	93/99	93/99	287/293		
		111A	18.6/24.8	51.7/59.7	107/117	110/125	104/113	297/305	111/121	108/118	301/309	112/122	125/125	112/122	109/119	109/119	302/310	116/126	125/150	114/123	125/150	306/314		
		112A	24.0/32.0	66.7/77.0	126/139	150/150	121/133	312/322	130/143	126/137	316/326	131/144	150/150	127/139	131/144	127/139	317/327	135/148	150/150	131/143	150/150	321/331		
		112A+117A	31.8/42.4	88.4/102.0	153/170	175/175	146/162	422/449	157/174	151/166	426/453	158/175	175/175	151/166	158/175	152/167	427/454	162/179	175/200	156/172	175/200	431/458		
460-3-60	STD	NONE	-	-	19	20	19	109	21	21	111	21	25	21	21	111	22	111	23	25	24			
		116B	13.9	16.7	40	40	38	126	41	40	128	42	45	42	44	128	44	128	44	45	43			
		113B	16.5	19.8	43	45	42	129	45	44	131	46	50	46	47	131	47	131	47	50	47			
		114B	27.8	33.4	60	70	58	142	62	60	144	63	70	63	70	144	64	144	64	70	62			
		115B	33.0	39.7	68	70	65	149	70	67	151	71	80	71	80	149	72	151	72	80	69			
		128B	41.7	50.2	81	90	77	159	83	79	161	84	90	84	90	161	85	161	85	90	82			
	MED	NONE	-	-	20	25	20	128	21	22	130	22	25	22	23	130	24	130	24	25	25			
		116B	13.9	16.7	40	40	39	145	42	41	147	43	45	42	44	147	44	147	44	45	44			
		113B	16.5	19.8	44	45	43	148	46	45	150	46	50	46	47	150	48	150	48	50	47			
		114B	27.8	33.4	61	70	59	161	63	61	163	63	70	63	70	163	65	163	65	70	63			
		115B	33.0	39.7	69	70	66	168	71	68	170	71	80	71	80	170	73	170	73	80	70			
		128B	41.7	50.2	82	90	78	178	84	80	180	84	90	84	90	180	86	180	86	90	82			
STD	NONE	-	-	20	25	20	128	21	22	130	22	25	22	23	130	24	130	24	25	25				
	116B	13.9	16.7	40	40	39	145	42	41	147	43	45	42	44	147	44	147	44	45	44				
	113B	16.5	19.8	44	45	43	148	46	45	150	46	50	46	47	150	48	150	48	50	47				
	114B	27.8	33.4	61	70	59	161	63	61	163	63	70	63	70	163	65	163	65	70	63				
	115B	33.0	39.7	69	70	66	168	71	68	170	71	80	71	80	170	73	170	73	80	70				
	128B	41.7	50.2	82	90	78	178	84	80	180	84	90	84	90	180	86	180	86	90	82				
575-3-60	STD	NONE	-	-	16	20	16	85	19	20	89	17	20	18	87	21	87	21	25	22				
		118A	18.0	17.3	37	40	36	102	41	40	106	39	40	37	104	43	104	43	45	42				
		119A	36.0	34.6	59	60	55	120	63	60	124	61	70	61	57	122	64	70	70	62				
		NONE	-	-	17	20	17	100	21	21	104	18	20	19	102	22	102	22	25	23				
		118A	18.0	17.3	38	40	37	117	42	41	121	40	40	39	119	44	119	44	45	43				
		119A	36.0	34.6	60	60	57	135	64	61	139	62	70	62	59	137	66	70	70	63				
HIGH	NONE	-	-	17	20	17	100	21	21	104	18	20	19	102	22	102	22	25	23					
	118A	18.0	17.3	38	40	37	117	42	41	121	40	40	39	119	44	119	44	45	43					
	119A	36.0	34.6	60	60	57	135	64	61	139	62	70	62	59	137	66	70	70	63					
	NONE	-	-	23	25	23	132	25	25	136	23	25	23	134	25	134	25	25	23					
	118A	18.0	17.3	43	45	41	149	44	44	153	42	45	43	149	46	149	46	45	43					
	119A	36.0	34.6	70	70	67	165	68	67	169	66	70	66	67	169	68	169	68	70	63				

See "Legend and Notes for Tables 30 and 31 on page 58.

**Table 31 – Unit Wire/Fuse or HACR Breaker Sizing Data - Two Speed Indoor Fan Motor**

UNIT	IFM TYPE	ELEC. HTR				NO C.O. or UNPWR C.O.										w/ PWRD C.O.									
		CRHEATER ***A00	Nom (kW)	FLA	MCA	NO PE.				w/ P.E. (pwrdr fr/unit)				NO PE.				w/ P.E. (pwrdr fr/unit)							
						MAX FUSE or HACR BRKR	MCA	DISC. SIZE FLA LRA	DISC. SIZE FLA LRA	MAX FUSE or HACR BRKR	MCA	DISC. SIZE FLA LRA	DISC. SIZE FLA LRA	MAX FUSE or HACR BRKR	MCA	DISC. SIZE FLA LRA	DISC. SIZE FLA LRA								
50TQD08	STD	NONE	-	-	39/39	50/50	43/42	45/44	201	44/43	50/50	46/46	202	47/47	60/50	50/50	50/50	53/52	236	206					
		117A	7.8/10.4	21.7/25.0	66/70	70/70	70/74	70/73	223/226	71/75	70/80	71/74	224/227	74/78	80/80	80/80	77/81	258/261	228/231						
		110A	12.0/16.0	33.4/38.5	80/87	90/90	84/90	83/89	230/236	85/91	90/90	84/90	235/241	89/95	90/100	90/100	92/97	269/275	239/245						
		111A	18.6/24.8	51.7/59.7	103/113	110/125	107/117	104/113	253/261	108/118	110/125	105/114	254/262	112/122	125/125	125/125	113/121	288/296	258/266						
		112A	24.0/32.0	66.7/77.0	122/135	125/150	126/139	121/133	288/278	127/140	150/150	122/134	289/279	131/143	150/150	150/150	130/141	303/313	273/283						
		112A+117A	31.8/42.4	88.4/102.0	149/166	150/175	153/170	146/162	378/405	154/171	175/175	147/163	379/406	158/175	175/175	175/200	155/170	413/440	383/410						
	MED	NONE	-	-	42/41	50/50	45/45	48/47	231	46/46	50/50	49/48	232	50/49	60/60	60/60	53/52	236	236						
		117A	7.8/10.4	21.7/25.0	69/72	70/80	72/76	73/76	253/256	73/77	80/80	74/77	254/257	77/81	80/80	80/80	78/81	258/261	258/261						
		110A	12.0/16.0	33.4/38.5	83/89	90/90	87/93	86/91	284/270	88/94	90/100	87/92	285/271	92/97	100/100	100/100	92/97	269/275	269/275						
		111A	18.6/24.8	51.7/59.7	106/115	110/125	110/119	107/116	283/291	111/120	110/125	108/117	284/292	115/124	125/125	125/125	113/121	288/296	288/296						
		112A	24.0/32.0	66.7/77.0	125/137	125/150	129/141	125/135	298/308	130/142	150/150	126/137	299/309	134/146	150/150	150/150	130/141	303/313	303/313						
		112A+117A	31.8/42.4	88.4/102.0	152/168	175/175	156/172	150/164	408/435	157/173	175/175	151/165	409/436	161/177	175/200	175/200	155/170	413/440	413/440						
460-3-60	STD	NONE	-	-	19	20	20	21	99	21	25	22	115	24	25	25	24	101	101						
		116B	13.9	16.7	40	40	38	41	114	116	45	41	116	44	45	45	43	118	118						
		113B	16.5	19.8	43	45	42	44	119	121	46	45	119	47	50	50	47	121	121						
		114B	27.8	33.4	60	60	58	60	130	132	63	60	132	64	70	70	62	134	134						
		115B	33.0	39.7	68	70	65	67	139	139	71	80	67	139	72	80	69	141	141						
		128B	41.7	50.2	81	90	77	79	149	149	84	90	79	149	85	90	82	151	151						
	MED	NONE	-	-	20	25	20	21	113	115	22	25	115	24	25	25	24	117	117						
		116B	13.9	16.7	40	40	39	42	130	132	43	45	132	44	45	45	44	134	134						
		113B	16.5	19.8	44	45	43	45	135	135	47	50	135	48	50	50	48	137	137						
		114B	27.8	33.4	61	70	59	61	148	148	64	70	148	65	70	70	63	150	150						
		115B	33.0	39.7	69	70	66	68	155	155	71	80	68	155	73	80	70	157	157						
		128B	41.7	50.2	82	90	78	80	165	165	85	90	81	165	86	90	83	167	167						
575-3-60	STD	NONE	-	-	14	20	15	15	79	18	20	19	83	16	20	25	21	85	85						
		118A	18.0	17.3	36	40	35	39	100	100	38	40	98	41	45	45	41	102	102						
		119A	36.0	34.6	58	60	55	59	118	118	59	60	56	61	70	70	61	120	120						
		NONE	-	-	16	20	17	21	96	96	18	20	19	94	22	25	23	98	98						
		118A	18.0	17.3	38	40	37	39	109	109	39	40	39	111	43	45	43	115	115						
		119A	36.0	34.6	59	60	56	61	131	131	61	70	58	129	65	70	63	133	133						
	HIGH	NONE	-	-	16	20	17	21	96	96	18	20	19	94	22	25	23	98	98						
		118A	18.0	17.3	38	40	37	39	109	109	39	40	39	111	43	45	43	115	115						
		119A	36.0	34.6	59	60	56	61	131	131	61	70	58	129	65	70	63	133	133						
		NONE	-	-	16	20	17	21	96	96	18	20	19	94	22	25	23	98	98						
		118A	18.0	17.3	38	40	37	39	109	109	39	40	39	111	43	45	43	115	115						
		119A	36.0	34.6	59	60	56	61	131	131	61	70	58	129	65	70	63	133	133						

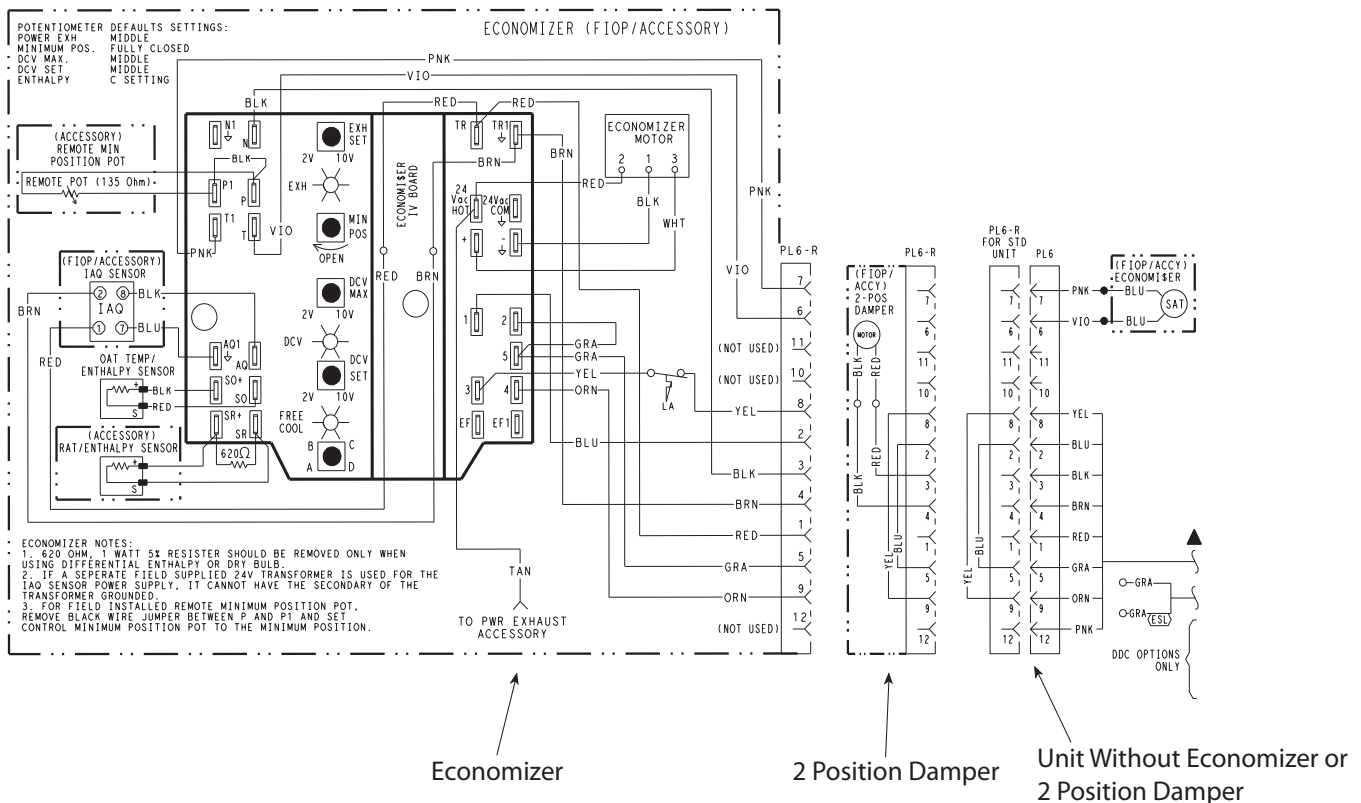
See "Legend and Notes for Tables 30 and 31 on page 58



Table 31 - Unit Wire/Fuse or HACR Breaker Sizing Data - Two Speed Indoor Fan Motor (cont)

UNIT	NOM. V-PH-HZ	ELEC. HTR				NO C.O. or UNPWR C.O.						NO PE.						w/ PWRD C.O.							
		IFM TYPE	CRHEATER ***A00	Nom (kW)	FLA	NO PE.			w/ P.E. (pwrd fr/unit)			NO PE.			w/ P.E. (pwrd fr/unit)			NO PE.			w/ P.E. (pwrd fr/unit)				
						MCA	FUSE or HACR BRKR	DISC. SIZE FLA LRA	MCA	FUSE or HACR BRKR	DISC. SIZE FLA LRA	MCA	FUSE or HACR BRKR	DISC. SIZE FLA LRA	MCA	FUSE or HACR BRKR	DISC. SIZE FLA LRA	MCA	FUSE or HACR BRKR	DISC. SIZE FLA LRA	MCA	FUSE or HACR BRKR	DISC. SIZE FLA LRA		
50TCQD09	STD	NONE	-	-	-	41/41	50/50	43/42	212	234/237	45/45	50/50	47/47	216	238/241	46/46	50/50	48/48	217	239/242	50/49	60/60	52/52	221	
		117A	7.8/10.4	21.7/25.0	68/72	70/80	68/71	234/237	72/76	80/80	75/78	80/80	72/75	238/241	73/77	239/242	73/77	80/80	73/77	239/242	77/81	80/90	77/81	243/246	
		110A	12.0/16.0	33.4/38.5	83/89	90/90	81/87	245/251	87/93	90/100	89/95	90/100	85/91	249/255	88/94	250/256	88/94	90/100	86/92	250/256	91/98	100/100	91/96	254/260	
		111A	18.6/24.8	51.7/59.7	106/116	110/125	102/111	264/272	110/119	110/125	113/123	125/125	106/115	268/276	111/120	269/277	111/120	125/125	108/116	269/277	114/124	125/125	129/141	273/281	
	MED	112A	24.0/32.0	66.7/77.0	124/137	125/150	119/131	279/289	128/141	150/150	131/143	150/150	124/135	283/293	129/142	284/294	129/142	150/150	125/136	284/294	133/146	150/150	129/141	288/298	
		112A+117A	31.8/42.4	88.4/102.0	152/168	175/175	144/160	389/416	155/172	175/175	158/174	175/175	149/164	393/420	156/173	394/421	156/173	175/175	150/165	394/421	160/177	175/200	154/170	398/425	
		NONE	-	-	44/43	50/50	46/45	242	264/267	75/78	80/80	75/78	268/271	246	269/272	76/79	80/80	76/79	269/272	247	270/273	80/83	80/90	56/55	251
		117A	7.8/10.4	21.7/25.0	71/74	80/80	71/74	264/267	75/78	80/80	75/78	80/80	76/79	268/271	246	269/272	76/79	80/80	76/79	269/272	247	270/273	80/83	80/90	56/55
	HIGH	110A	12.0/16.0	33.4/38.5	86/91	90/100	84/89	275/281	89/95	90/100	89/95	90/100	89/93	279/285	90/96	280/286	90/96	90/100	90/95	280/286	94/100	100/100	94/99	284/290	
		111A	18.6/24.8	51.7/59.7	109/118	110/125	105/114	294/302	112/122	125/125	113/123	125/125	110/118	298/306	113/123	299/307	113/123	125/125	111/119	299/307	117/126	125/150	115/123	303/311	
		112A	24.0/32.0	66.7/77.0	127/139	150/150	122/133	309/319	131/143	150/150	131/143	150/150	127/138	313/323	132/144	314/324	132/144	150/150	128/139	314/324	136/148	150/150	132/143	318/328	
		112A+117A	31.8/42.4	88.4/102.0	154/171	175/175	147/162	419/446	158/174	175/175	158/174	175/175	152/167	423/450	159/175	424/451	159/175	175/175	153/168	424/451	163/179	175/200	157/172	428/455	
460-3-60	STD	NONE	-	-	19	25	20	111	127	21	25	22	113	129	21	25	22	113	129	23	25	24	115		
		116B	13.9	16.7	41	40	39	128	42	40	43	45	40	130	44	130	42	45	41	130	44	45	132		
		113B	16.5	19.8	44	45	42	131	46	45	46	50	44	133	46	133	46	50	45	133	48	50	135		
		114B	27.8	33.4	61	70	58	144	63	70	63	70	60	146	63	146	63	70	60	146	65	70	148		
	MED	115B	33.0	39.7	69	70	65	151	70	70	80	80	67	153	71	153	71	80	68	153	73	80	155		
		128B	41.7	50.2	82	90	77	161	84	90	90	79	163	84	163	84	90	80	163	86	90	82	165		
		NONE	-	-	20	25	21	127	22	25	25	23	129	22	129	22	25	23	129	24	24	30	131		
		116B	13.9	16.7	41	45	40	144	43	45	46	50	45	146	43	146	43	45	46	146	45	45	44	148	
	HIGH	113B	16.5	19.8	45	45	43	147	46	46	50	45	149	47	149	47	50	46	149	49	49	50	151		
		114B	27.8	33.4	62	70	59	160	63	70	62	64	162	64	162	64	70	62	162	66	66	70	164		
		115B	33.0	39.7	70	70	66	167	71	80	80	68	169	72	169	72	80	69	169	74	74	80	171		
		128B	41.7	50.2	83	90	78	177	84	90	90	79	179	85	179	85	90	81	179	87	87	90	181		
575-3-60	STD	NONE	-	-	17	20	17	87	104	21	25	23	129	22	129	22	25	23	129	24	24	30			
	118A	18.0	17.3	38	40	37	104	42	45	40	40	108	44	108	44	40	39	106	106	44	45	43			
	119A	36.0	34.6	60	60	57	122	64	70	70	61	126	62	126	62	70	59	124	124	66	70	63			
575-3-60	MED	NONE	-	-	18	20	19	100	117	22	25	23	104	20	104	20	25	21	102	24	24	30			
	118A	18.0	17.3	40	40	39	117	44	45	40	40	121	42	121	42	45	41	119	119	46	50	45			
	119A	36.0	34.6	62	70	59	135	66	70	70	63	139	63	139	63	70	61	137	137	67	70	65			
575-3-60	HIGH	NONE	-	-	18	20	19	100	117	22	25	23	104	20	104	20	25	21	102	24	24	30			
	118A	18.0	17.3	40	40	39	117	44	45	40	40	121	42	121	42	45	41	119	119	46	50	45			
	119A	36.0	34.6	62	70	59	135	66	70	70	63	139	63	139	63	70	61	137	137	67	70	65			

See "Legend and Notes for Tables 30 and 31 on page 58"



**Fig. 79 - EconoMi\$er® IV Wiring**

C08631

**Step 12 — Adjust Factory-Installed Options**

**Smoke Detectors —**

Smoke detector(s) will be connected at the Controls Connections Board, at terminals marked “Smoke Shutdown”. Remove jumper JMP 3 when ready to energize unit.

**EconoMi\$er IV Occupancy Switch —**

Refer to Fig. 79 for general EconoMi\$er IV wiring. External occupancy control is managed through a connection on the Central Terminal Board.

If external occupancy control is desired, connect a time clock or remotely controlled switch (closed for Occupied, open for Unoccupied sequence) at terminals marked OCCUPANCY on CTB. Remove or cut jumper JMP 2 to complete the installation.

**Step 13 — Install Accessories**

Available accessories include:

- Roof curb
- Thru-base connection kit (must be installed before unit is set on curb)
- Manual outside air damper
- Two-position motorized outside air damper

- EconoMi\$er IV (with control and integrated barometric relief)
- EconoMi\$er2 (without control/for external signal and integrated barometric relief)
- Power exhaust
- Differential dry-bulb sensor (EconoMi\$er IV)
- Outdoor enthalpy sensor
- Differential enthalpy sensor
- Time Guard II compressor anti-cycle control
- Outdoor coil hail guard
- Outdoor coil protector grille
- Head pressure control
- Programmable setback thermostat
- Electro-mechanical thermostat and subbase
- Thermidistat™ device
- Humidistat
- Electric heaters
- Single point kits
- Thermostat / sensors
- CO<sub>2</sub> sensor
- DDC interface (PremierLink™ controller)
- Louvered hail guard
- Phase monitor control

Refer to separate installation instructions for information on installing these accessories.

**50TCQ**

### Step 14 — Check Belt Tension

Measure the belt span length as shown in Fig. 80. Calculate the required deflection by multiplying the belt span length by  $\frac{1}{64}$ . For example, if the belt span length is 32 inches:  $32 \times \frac{1}{64} = \frac{1}{2}$  inch deflection.

#### Belt Force - Deflection Method -

Check the belt tension with a spring-force belt force deflection gauge.

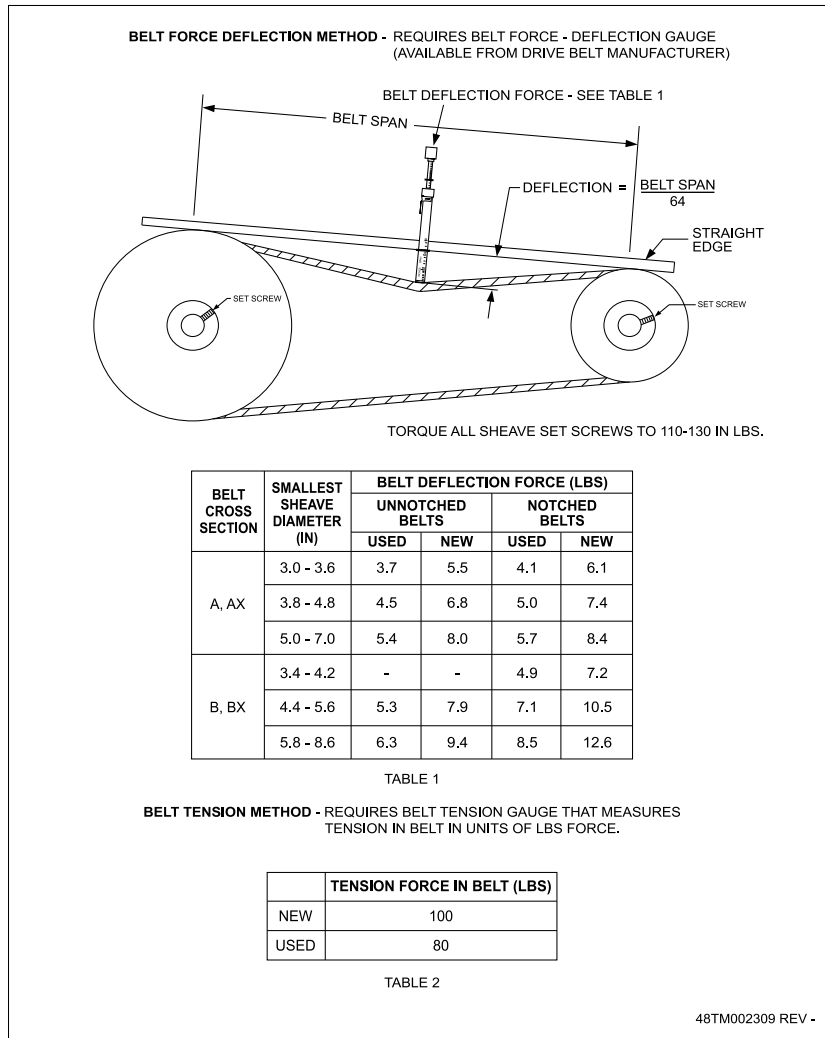
1. Place a straightedge along the belt between the two pulleys. Measure the distance between the motor shaft and the blower shaft.
2. Set the tension gauge to the desired tension (see Table 1 in Fig. 80). Place the large O-ring at that point.

3. Press the tension checker downward on the belt until the large O-ring is at the bottom of the straightedge.
4. Adjust the belt tension as needed.

Adjust belt tension by loosening the motor mounting plate front bolts and rear bolt (see Fig. 81) and slide the plate towards the fan (to reduce tension) or away from the fan (to increase tension). Ensure the blower shaft and motor shaft are parallel to each other (pulleys aligned). Tighten all bolts securely when finished.

#### Pre-Start and Start-Up

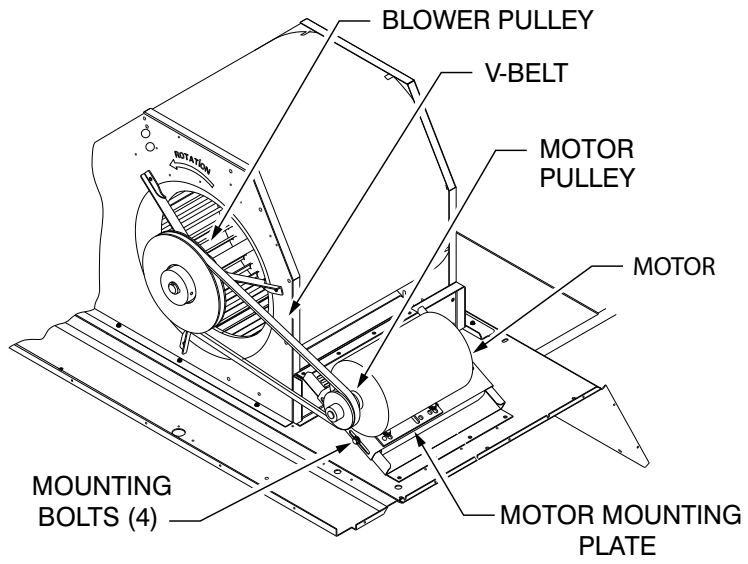
This completes the mechanical installation of the unit. Refer to the unit's Service Manual for detailed Pre-Start and Start-up instructions.



**Fig. 80 - V-Belt Force Label**

C160146





**Fig. 81 - Belt Drive Motor Mounting**

C11504

50TCQ



# UNIT START-UP CHECKLIST

(Remove and Store in Job File)

**NOTE: To avoid injury to personnel and damage to equipment or property when completing the procedures listed in this start-up checklist, use good judgement, follow safe practices, and adhere to the safety considerations/information as outlined in the preceding sections of this Installation Instructions document.**

MODEL NO.: \_\_\_\_\_

SERIAL NO.: \_\_\_\_\_

## I. PRE-START-UP

- VERIFY THAT ALL PACKAGING MATERIALS HAVE BEEN REMOVED FROM UNIT
- VERIFY INSTALLATION OF OUTDOOR AIR HOOD
- VERIFY THAT CONDENSATE CONNECTION IS INSTALLED PER INSTRUCTIONS
- VERIFY THAT ALL ELECTRICAL CONNECTIONS AND TERMINALS ARE TIGHT
- CHECK THAT INDOOR-AIR FILTERS ARE CLEAN AND IN PLACE
- CHECK THAT OUTDOOR AIR INLET SCREENS ARE IN PLACE
- VERIFY THAT UNIT IS LEVEL
- CHECK FAN WHEELS AND PROPELLER FOR LOCATION IN HOUSING/ORIFICE AND VERIFY SETSCREW IS TIGHT
- VERIFY THAT FAN SHEAVES ARE ALIGNED AND BELTS ARE PROPERLY TENSIONED
- VERIFY THAT SCROLL COMPRESSORS ARE ROTATING IN THE CORRECT DIRECTION
- VERIFY INSTALLATION OF THERMOSTAT

## II. START-UP

### COOLING CYCLE -

#### ELECTRICAL

SUPPLY VOLTAGE	L1-L2 _____	L2-L3 _____	L3-L1 _____
COMPRESSOR AMPS 1	L1 _____	L2 _____	L3 _____
COMPRESSOR AMPS 2	L1 _____	L2 _____	L3 _____
SUPPLY FAN AMPS	L1 _____	L2 _____	L3 _____

#### TEMPERATURES

OUTDOOR-AIR TEMPERATURE \_\_\_\_\_ °F DB (DRY BULB)

RETURN-AIR TEMPERATURE \_\_\_\_\_ °F DB \_\_\_\_\_ °F WB (WET BULB)

COOLING SUPPLY AIR TEMPERATURE \_\_\_\_\_ °F

#### PRESSURES

REFRIGERANT SUCTION	CIRCUIT A _____ PSIG
	CIRCUIT B _____ PSIG
REFRIGERANT DISCHARGE	CIRCUIT A _____ PSIG
	CIRCUIT B _____ PSIG

- VERIFY REFRIGERANT CHARGE USING CHARGING CHARTS

### HEATING CYCLE -

#### ELECTRICAL

SUPPLY VOLTAGE	L1-L2 _____	L2-L3 _____	L3-L1 _____
COMPRESSOR AMPS 1	L1 _____	L2 _____	L3 _____
COMPRESSOR AMPS 2	L1 _____	L2 _____	L3 _____
SUPPLY FAN AMPS	L1 _____	L2 _____	L3 _____

50TCQ

**TEMPERATURES**

OUTDOOR-AIR TEMPERATURE \_\_\_\_\_ °F DB (DRY BULB)

RETURN-AIR TEMPERATURE \_\_\_\_\_ °F DB \_\_\_\_\_ °F WB (WET BULB)

HEAT SUPPLY AIR TEMPERATURE \_\_\_\_\_ °F

**PRESSURES**

REFRIGERANT SUCTION     CIRCUIT A \_\_\_\_\_ PSIG

  CIRCUIT B \_\_\_\_\_ PSIG

REFRIGERANT DISCHARGE   CIRCUIT A \_\_\_\_\_ PSIG

  CIRCUIT B \_\_\_\_\_ PSIG

VERIFY REFRIGERANT CHARGE USING CHARGING CHARTS

**GENERAL**

ECONOMIZER MINIMUM VENT AND CHANGEOVER SETTINGS TO JOB REQUIREMENTS (IF EQUIPPED)

VERIFY SMOKE DETECTOR UNIT SHUTDOWN BY UTILIZING MAGNET TEST