

CCNWeb Installation Instructions

Installation

CCNWeb is a device designed to enable connection of a Carrier Comfort Network (CCN) to a web browser over an Ethernet-based Local Area Network (LAN) or point to point via a telephone line.

The module may be installed as a desktop unit or can be wall or panel mounted using the mounting plate provided with the unit.

Wall or Panel Mounting

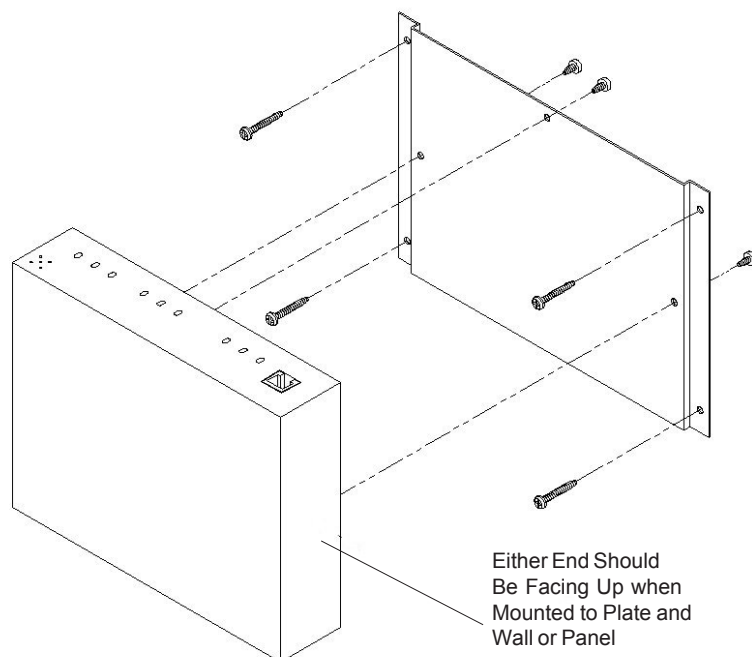
To mount the CCNWeb module to a wall or panel do the following:

1. Attach the CCNWeb module to the supplied mounting plate by removing the three Phillips-head screws that fasten the cover to the module, align the three holes with the corresponding holes on the mounting plate and reinstall the three screws. See Figure 1.
2. Place the module in the desired mounting position and fasten using the four mounting screws provided with the unit.

Notes:

1. When wall or panel mounting the unit, do not attach the stick-on feet provided with the unit, which are intended for use when placing the unit on a desktop.

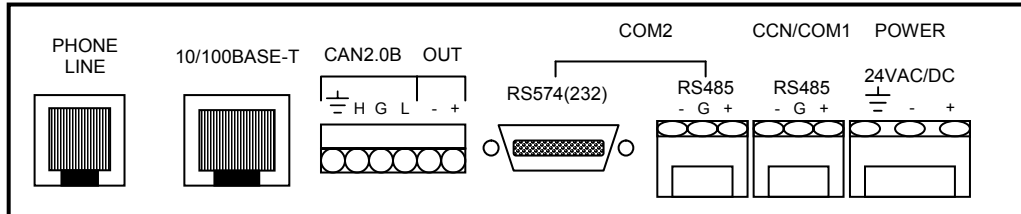
Figure 1
Wall or Panel Mounting



Connectors

Figure 2 indicates the connectors that are used to provide power to the CCNWeb, and to connect to the CCN (COM1), Console Port (COM2), the Ethernet (10/100BASE-T), and telephone line.

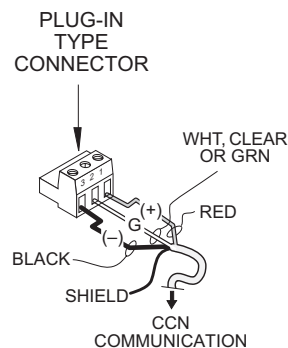
Figure 2
Connectors



Make the following connections to the module:

1. Connect the CCN Communication Bus to the supplied, three pin screw terminal-type CCN connector (COM1). Consult the *CCN Installation and Start-up Manual* (808-211) for information concerning the wiring that must be provided for that purpose.

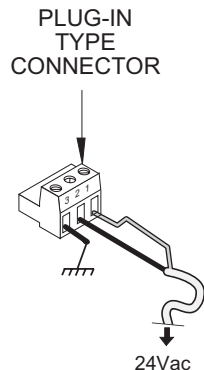
Figure 3
CCN Communication Connector



2. Connect a user supplied isolated 24 Vac, minimum 15VA, power source to the factory supplied three-pin screw terminal-type power connector. See Figure 4.

Note: Do not power this unit from the same transformer used to power other devices. Equipment damage may result.

Figure 4
Power Connector



Note: To meet FCC regulations, Pin 3 (G) must be connected to ground.

3. Connect to the Ethernet LAN using the RJ-45 connector (10/100BASE-T) provided on the module.

Setup and Configuration

In order for the CCNWeb Module to function on the IP network you must first configure certain data contained in the below-listed service configuration tables. This may be done through the module's CCN communication port (COM1) using Carrier's ComfortVIEW or Network Service Tool, or using Ethernet communication via a web browser.

The CCNWeb's default IP address is 192.168.0.1.

- Internet Protocol (\$IP_CONF)
- User Access Control (\$USERACC)

Refer to the *CCNWeb Overview and Configuration Manual* (808-288) for an explanation of and allowable entries and default values for each service configuration table decision.

Note that the \$IP_Config Table can also be configured through the CCNWeb module's RS-232 port (COM2) using a dumb terminal or a PC running a terminal emulation program such as Windows® Hyperterminal. Accessing and inputting data to the CCNWeb using this method is referred to as Console Port mode. Refer to Appendix C (Console Port Operation and Commands) of the *CCNWeb Overview and Configuration Manual* for a list of console port read and write commands.

On initial startup of the module, it is also recommended that you set the module's time and date.

Port Numbers

In a TCP/IP-based network such as the Internet, certain ports are assigned to specific applications. A port number is used to link incoming data to an appropriate service. Port numbers that must be enabled at a firewall to allow Internet access to CCNWeb data from outside a facility include:

- TCP Port 80: HTTP access to the CCNWeb from a standard web browser
- FTP Port 21: FTP access to the CCNWeb. Note that FTP access is only required if you will be transferring files (such as Main View page files) to and from the CCNWeb module.