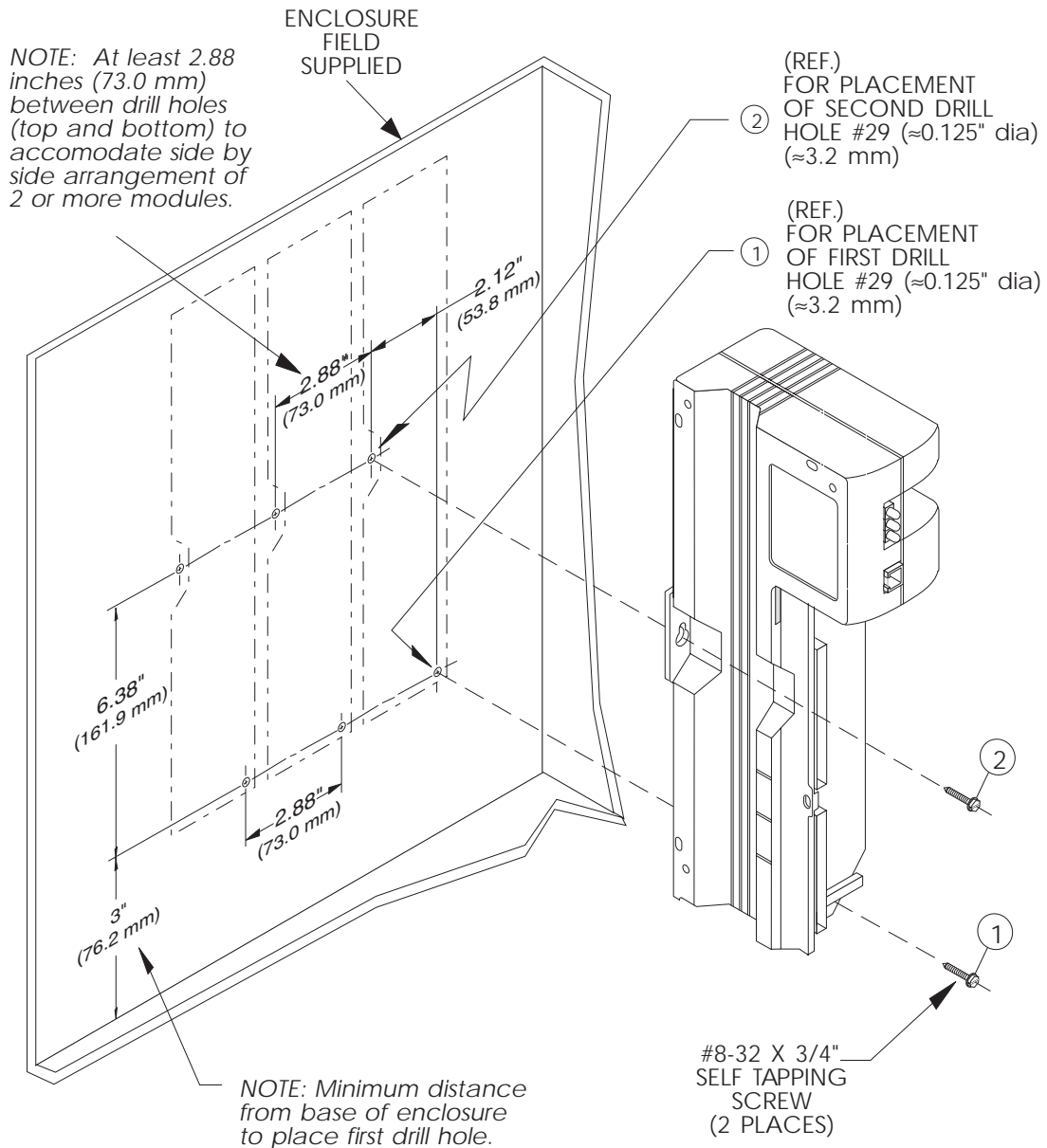


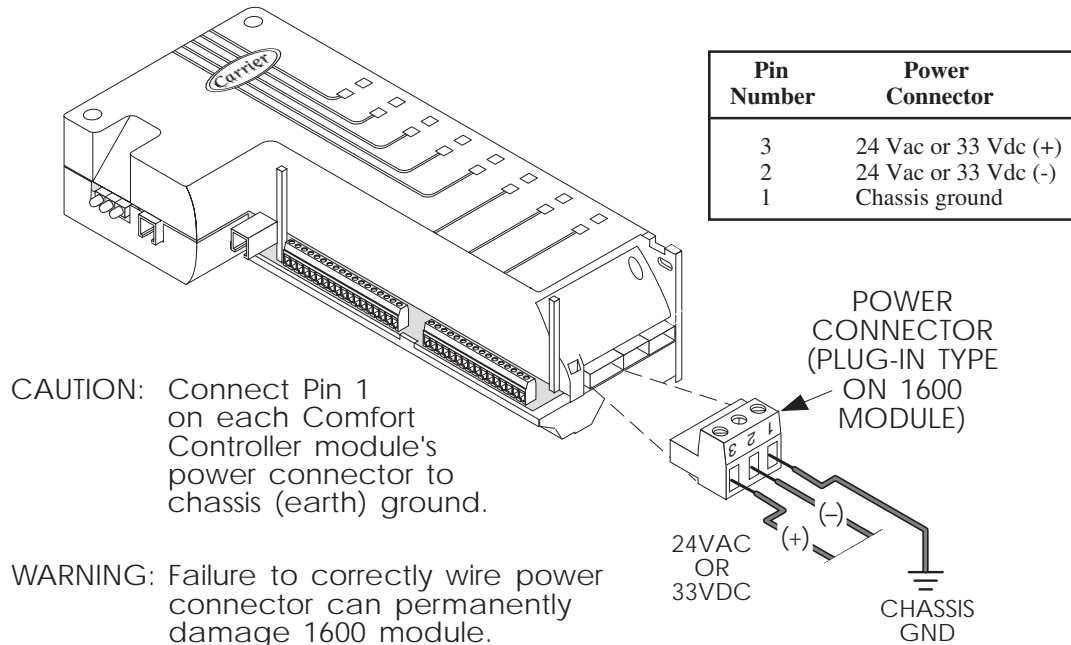
Comfort Controller 1600 (Outdoor Rated) Installation Instructions

Panel Mounting



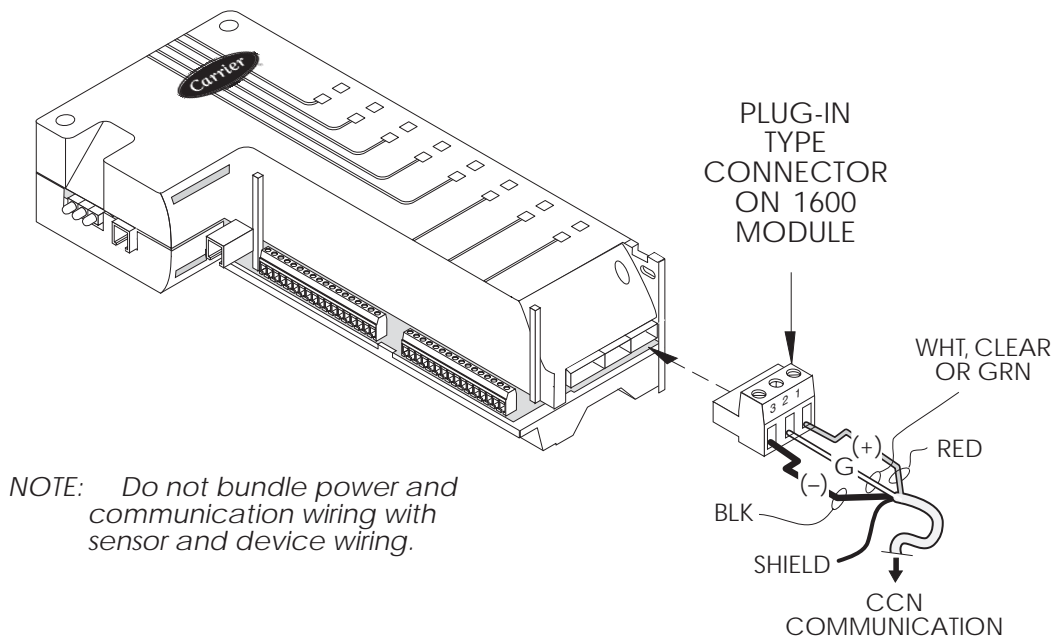
1600 Power Connector Location

Warning: If using a 24 Vac power supply to power the Comfort Controller, do not use it to also power other non-Comfort Controller modules or field devices (for example, actuators).



1600 Communication Connector Location

The figure below shows the location of the communication connector and a detailed view:



Related Documentation

For more information, see the *Comfort Controller Installation & Start-up Manual* (808-890); the *Comfort Controller Overview and Configuration Manual* (808-891); the *Comfort Controller Application Guide* (808-892); the *Comfort Controller Flowchart Manual* (808-910); and the *Comfort Controller 1600 (Outdoor Rated) Product Data Sheet* (808-295).