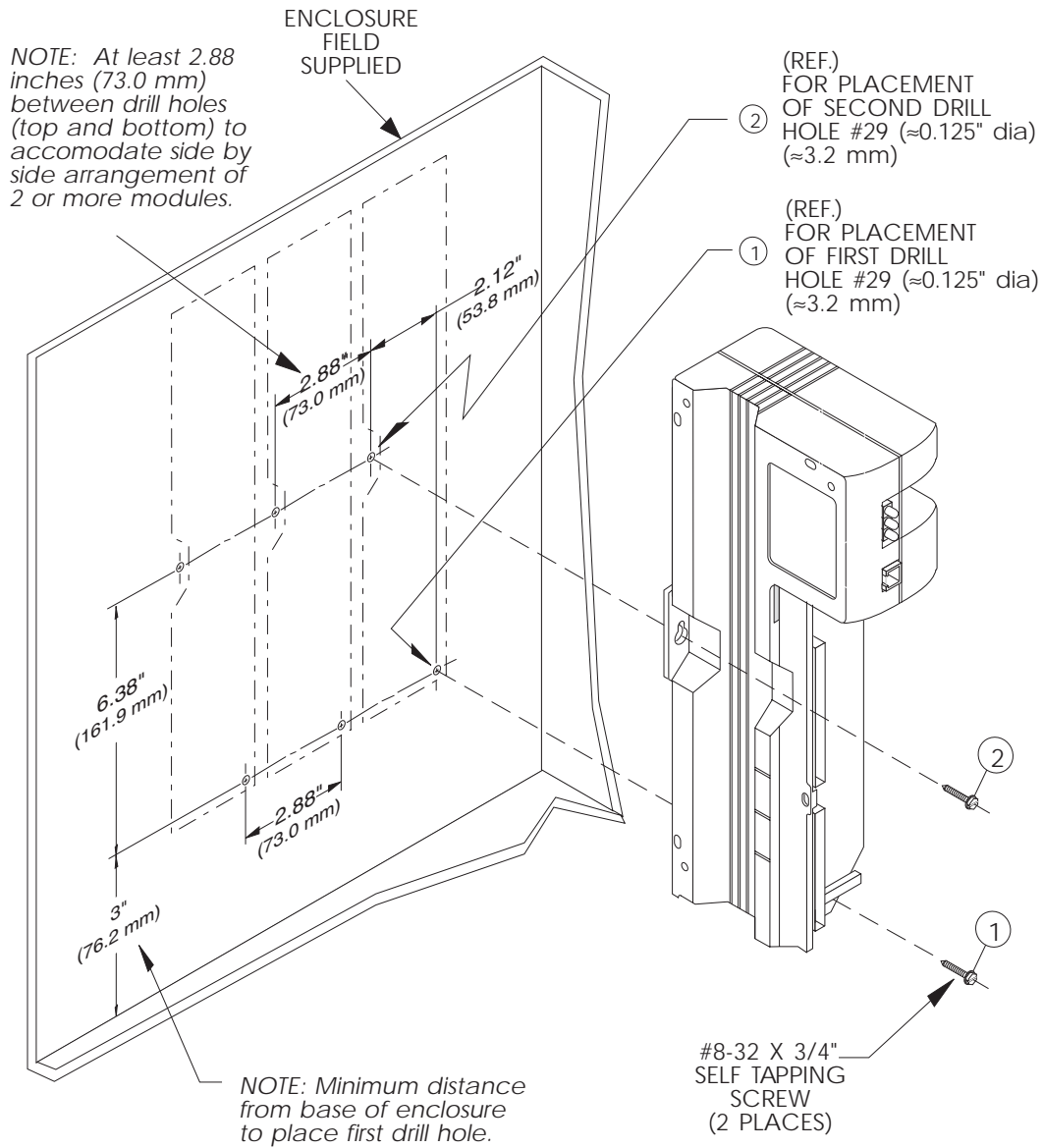


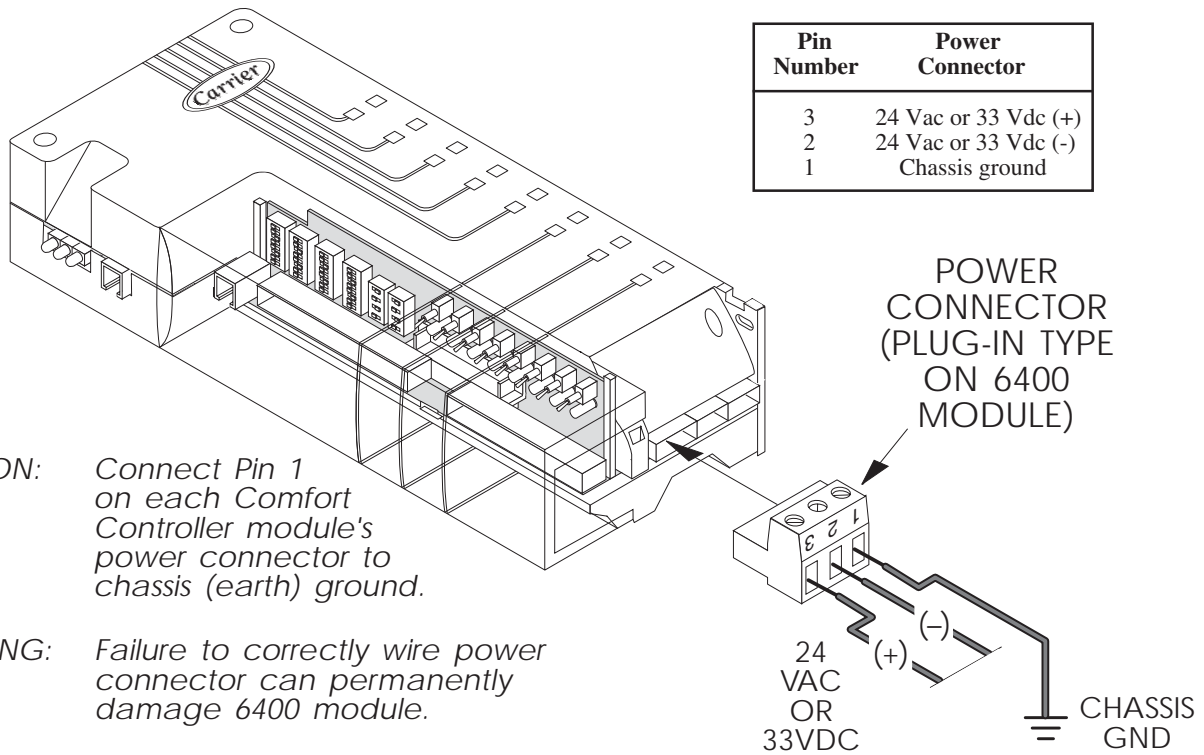
Comfort Controller 6400 and 6400-I/O (Outdoor Rated) Installation Instructions

Panel Mounting



6400 and 6400-I/O Power Connector Location

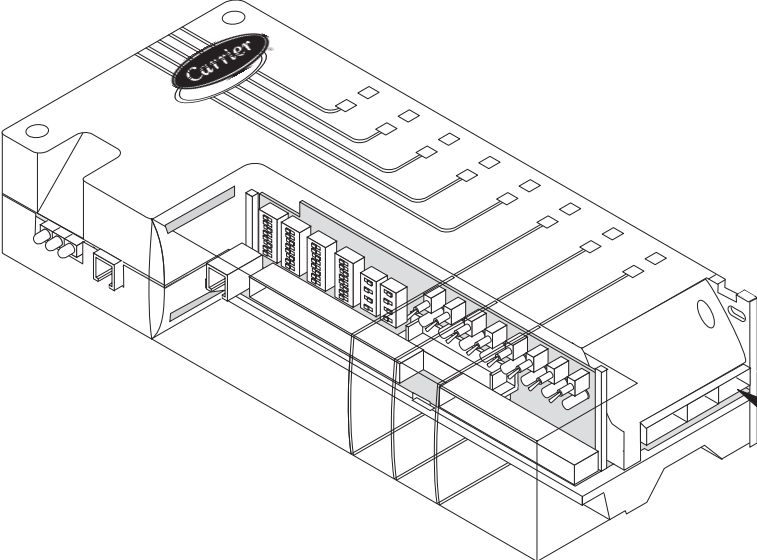
Warning: If using a 24 Vac power supply to power the Comfort Controller, do not use it to also power other non-Comfort Controller modules or field devices (for example, actuators).



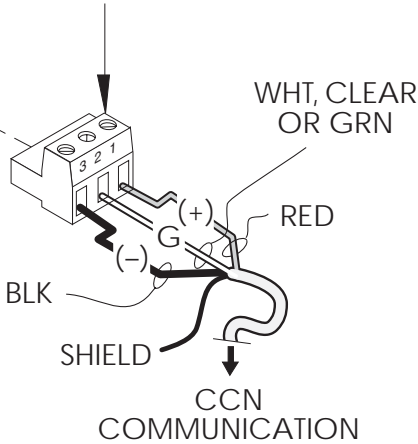
CAUTION: Connect Pin 1 on each Comfort Controller module's power connector to chassis (earth) ground.

WARNING: Failure to correctly wire power connector can permanently damage 6400 module.

6400 and 6400-I/O Communication Connector Location



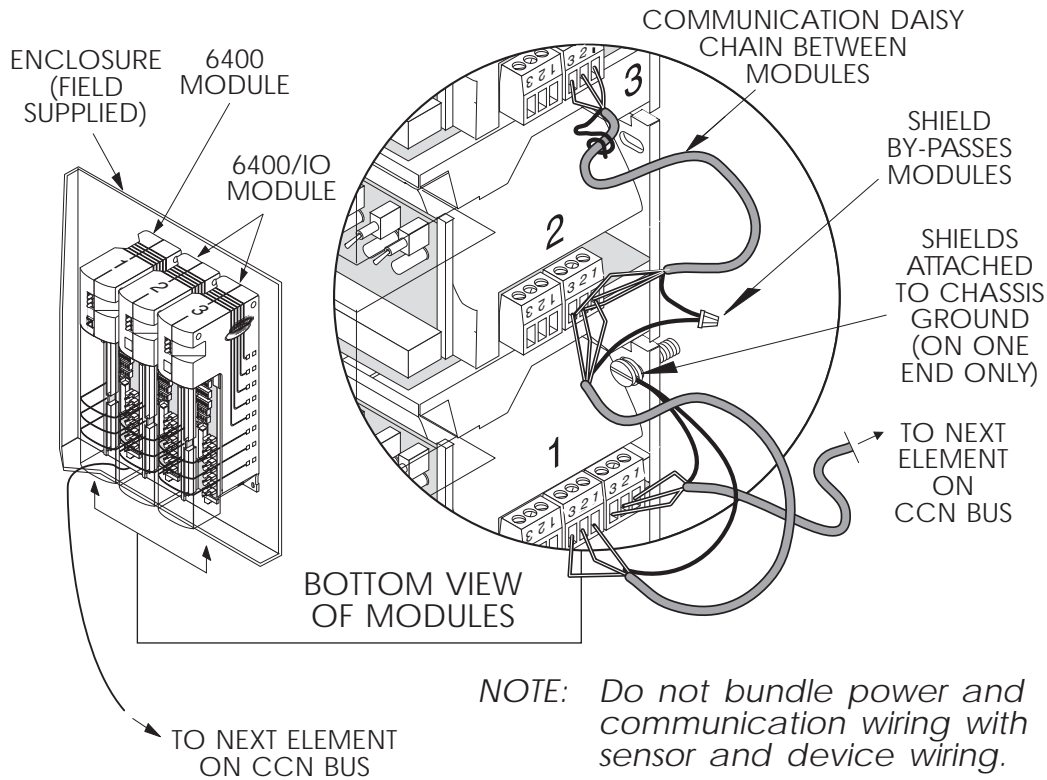
PLUG-IN
TYPE
CONNECTOR
ON 6400
MODULE



NOTE: Do not bundle power and communication wiring with sensor and device wiring.

Communication Connections

The figure below shows I/O communication connections between Comfort Controller 6400 and 6400-I/O modules.



Related Documentation

For more information on the Comfort Controller 6400, see the following:

- *Comfort Controller Installation & Start-up Manual* (808-890)
- *Comfort Controller Overview and Configuration Manual* (808-891)
- *Comfort Controller Application Guide* (808-892)
- *Comfort Controller Flowchart Manual* (808-910)
- *Comfort Controller 6400 (Outdoor Rated) Product Data Sheet* (808-296)