


# Installation Instructions

**NOTE:** Read the entire instruction manual before starting the installation.

## SAFETY CONSIDERATIONS

Improper installation, adjustment, alteration, service, maintenance, or use can cause explosion, fire, electrical shock, or other conditions which may cause personal injury or property damage. Consult a qualified installer, service agency, or your distributor or branch for information or assistance. The qualified installer or agency must use factory-authorized kits or accessories. Refer to the individual instructions packaged with the kits or accessories when installing.

Follow all safety codes. Wear safety glasses and work gloves. Read these instructions thoroughly and follow all warnings or cautions attached to the unit. Consult local building codes and National Electrical Code (NEC) for special requirements.

Recognize safety information. This is the safety-alert symbol . When you see this symbol on the unit and in instructions or manuals, be alert to the potential for personal injury as a result of improper installation.

Understand the signal words DANGER, WARNING, and CAUTION. These words are used with the safety-alert symbol. DANGER identifies the most serious hazards which will result in severe personal injury or death. WARNING signifies hazards which could result in personal injury or death. CAUTION is used to identify unsafe practices which may result in minor personal injury or product and property damage. NOTE is used to highlight suggestions which will result in enhanced installation, reliability, or operation.

## INTRODUCTION

Systems that include FE4 and FE5 fan coils do not use 24VAC signals to communicate system operation commands. System control is accomplished through computer level commands on a system "bus" that requires fewer low voltage interconnecting wiring. System components that are not capable of communication through this bus require an interface kit. This kit provides interface of the FE4 and FE5 fan coils with Hydronic Heat equipment.

**NOTE:** This kit will provide the necessary interface function when applied with User Interface -B version, or later, and FE4/5AN fan coils that are equipped with fan coil control HK38EA011 or HK38EA012. Fan coil control HK38EA011 is factory-installed in FE fan coils with minor revision B, or later, in the 14th digit of the fan coil model number. Electric heat cannot be used with Hydronic Interface Relay Kit.

## DESCRIPTION AND USAGE

The Interface Relay Kit consists of:

- a 22 VDC relay fitted with a rectifier circuit board that can be mounted within the fan coil
- a wiring harness that is pre-wired to the relay and terminated with a 12-pin AMP Mate-N-Lok plug that connects to the fan coil's heater control connector
- two No. 16 AWG stripped leads for connecting the relay normally open contacts into the Hydronic system control circuit
- two mounting screws
- two wire nuts
- instructions

The wiring harness includes an ID device that is recognized by the fan coil control as assigned to Hydronic Heat equipment. The relay provides switching control of the Hydronic equipment through its normally open contacts. Refer to the User Interface literature for further configuration information.

**NOTE:** The relay provided with this kit may not be suitable for use with electronic control inputs using very low level current. Review the Hydronic equipment control power requirements prior to use of this kit. The minimum load rating for reliable switching of the relay contacts is 500 mA at 12VAC/VDC, additional loading may be required. The maximum relay ratings are:

- 30 A @ 120/277VAC resistive;
- 1.5 HP (10 A) @ 220/240VAC;
- 1.5 HP (5 A) @ 440/480VAC;

## WARNING

### ELECTRICAL OPERATION HAZARD

Failure to follow this warning could result in personal injury or death.

Before installing or servicing unit, always turn off all power to unit. There may be more than 1 disconnect switch. Turn off accessory heater power, if applicable.

## CAUTION

### CUT HAZARD

Failure to follow this caution may result in personal injury.

Sheet metal parts may have sharp edges or burrs. Use care and wear appropriate protective clothing and gloves when handling parts.

## INSTALLATION

To install Interface Relay Kit part no. KFAIF0101HWC:

1. Turn off all electrical supply to the fan coil and the Hydronic equipment.
2. Remove fan coil upper door.
3. Unplug and discard the factory provided power harness that is connected to the 12-pin heater control connector.
4. Remove the blank plate that is installed over the heater installation opening.
5. Punch or drill two 1/8" (3.175 mm) diameter holes in the center of the blank plate, 2-3/8" (60.325 mm) apart. (See Fig. 1)

6. Mount the relay using 2 sheet metal screws.
7. Replace the heater blank plate with the relay mounted to it in its original location.
8. Connect the 12-pin plug to the heater control connector.
9. Use wire nuts to connect stripped red leads to the incoming Hydronic equipment control power wires. (See Fig. 2.)
10. Use field supplied wire nuts to connect the stripped black and yellow leads to the fan coil 240VAC power supply connection.

**IMPORTANT:** Be sure to consult local building codes and the National Electrical Code (NEC) for special requirements.

11. Reinstall the upper door.
12. Turn on electrical supply to both fan coil and Hydronic equipment.

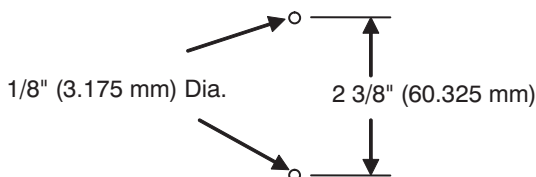


Fig. 1 - Relay Mounting Hole Detail

A07062

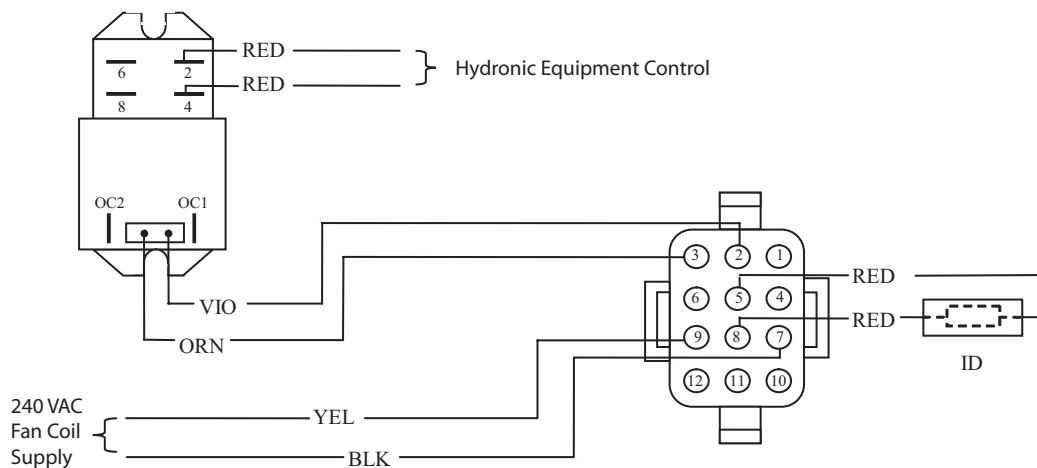


Fig. 2 - Interface Relay Kit Wiring Schematic

A07063

KFAIF0101HWC