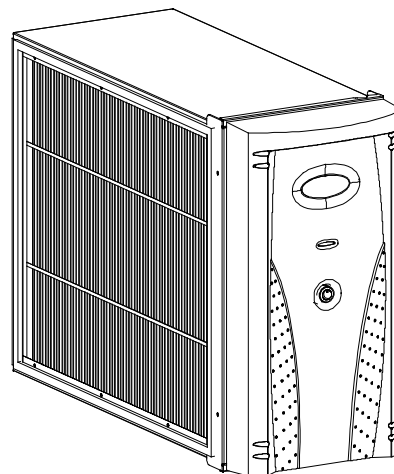


# Installation Instructions

**NOTE:** Read the entire instruction manual before starting the install.

## TABLE OF CONTENTS

	PAGE
INTRODUCTION .....	1
HOW IT WORKS .....	1
SAFETY CONSIDERATIONS .....	1
APPLICATION CONSIDERATIONS .....	2
INSTALLATION .....	3
START-UP AND OPERATION .....	6
MAINTENANCE .....	7
TROUBLESHOOTING .....	9
SPECIFICATIONS AND DIMENSIONS .....	10
WARRANTY .....	11



**Fig. 1 - GAPAA Unit**

A05265

## INTRODUCTION

Congratulations for selecting the Infinity® Air Purifier for your home comfort system! The Infinity® Air Purifier is proven to remove and kill airborne germs and allergens, including viruses, bacteria, and mold spores. The Infinity® Air Purifier is a cornerstone of Carrier's Healthy Home Solutions for providing healthier, cleaner air in your home.

## HOW IT WORKS

The Infinity® Air Purifier provides extremely high filtration performance while killing captured contaminants, including viruses, bacteria, and mold spores. The Infinity® Air Purifier treats the entire air-stream through a state of the art, three-stage process.

In stage one, the particles are electrically charged by a precision-point ionization array as they enter the Infinity® Air Purifier.

In stage two, the charged particles are electrically attracted to the air purification cartridge, which is located within an electric field.

In stage three, captured particles are killed by electrical current flow and ion bombardment.

The Infinity® Air Purifier is CSA certified for shock and electrical fire hazard only.


La Infinity Air Purifier certification CSA vise uniquement les risques de choc électrique et.

## SAFETY CONSIDERATIONS

Improper installation, adjustment, alteration, service, maintenance, or use can cause explosion, fire, electrical shock, or other conditions which may cause death, personal injury or property damage. Consult a qualified installer, service agency or your distributor or branch for information or assistance. The qualified installer or agency must use factory-authorized kits or accessories when modifying this product. Refer to the individual instructions packaged with the kits or accessories when installing.

Follow all safety codes. Wear safety glasses, protective clothing, and work gloves. Have a fire extinguisher available. Read these instructions thoroughly and follow all warnings and cautions included in literature and attached to the unit. Consult local building codes and the current edition of the National Electrical Code (NEC) NFPA 70.

In Canada, refer to the current editions of the Canadian Electrical Code CSA C22.1.

Recognize safety information. When you see this symbol  on the unit and in instructions or manuals, be alert to the potential for personal injury. Understand the signal words **DANGER**, **WARNING**, and **CAUTION**. These words are used with the safety-alert symbol. **DANGER** identifies the most serious hazards, which **will** result in severe personal injury or death. **WARNING** signifies hazards, which **could** result in personal injury or death. **CAUTION** is used to identify unsafe practices, which **may** result in minor personal injury or product and property damage. **NOTE** is used to highlight suggestions which **will** result in enhanced installation, reliability, or operation.

## APPLICATION CONSIDERATIONS

The Infinity® Air Purifier is designed for use in the return air duct of a forced air heating, cooling, and ventilation system. Models GAPAAXCC1625 and GAPAAXCC2025 are specifically designed for use in systems with a forced air gas furnace.

### Air Conditioning

The Infinity® Air Purifier should be installed in a system so that all the return air is circulated through the air purifier. It should be located upstream of both the furnace and the air conditioning evaporator coil. This will help keep the furnace and evaporator coil clean and prevent condensation from forming within the Infinity® Air Purifier.

### Humidifiers

An evaporative humidifier can be mounted upstream of the Infinity® Air Purifier. It is best to install atomizing humidifiers downstream of the air purifier because hard water salt deposits and water droplets may damage air purifier. If an atomizing humidifier must be mounted upstream of the Infinity® Air Purifier, it should be mounted as far upstream as possible (at least 6 ft./1.8 m recommended), and a standard disposable furnace filter should be mounted between the humidifier and the air purifier to trap hard water salt deposits and water droplets.

Ensure that the humidifier installation will not allow water or water droplets to enter the air purifier because it may cause electrical arcing or damage the air purifier.

**NOTE:** For fan coil installations, do not install the humidifier in the fan coil access doors or cabinet.

Inspect for plugged drains and maintain humidifier drain lines on a regular basis to avoid overflow of water into the air purifier. The recommended inspection should be done at every change of the air purifier cartridge (minimum, annually).

## ⚠ WARNING

### HIGH VOLTAGE HAZARD

Failure to follow this warning could result in personal injury or death.

This air purifier utilizes high voltage. If you notice water running into or around the air purifier, water stains on the purifier cartridge or on the Enhancement Module walls or cabinet, shut off the air purifier and call your service provider.

### Transitions

If the return air duct or furnace openings do not fit the Infinity® Air Purifier cabinet openings, gradual transitions are recommended to reduce air turbulence and maximize efficiency. No more than 45° (about 8.5 in. per running ft.) of expansion should be used on each side of the transition fitting.

### Turning Vanes

If the Infinity® Air Purifier is installed adjacent to a 90° duct elbow, turning vanes should be added inside duct to improve air distribution across the face of the air purifier.

### Electrical Power

The Infinity® Air Purifier should only be powered when airflow is present. The furnace control EAC terminals provide power only when the furnace blower is operating. Infinity® Air Purifier models GAPAAXCC1625 and GAPAAXCC2025 are designed to be powered from the electronic air cleaner (EAC) terminals on a furnace electronic control. If EAC terminals are not available, an alternative airflow sensing mechanism must be used to ensure the Infinity® Air Purifier is only powered when airflow is present. Contact local Carrier distributor for information on approved alternatives.

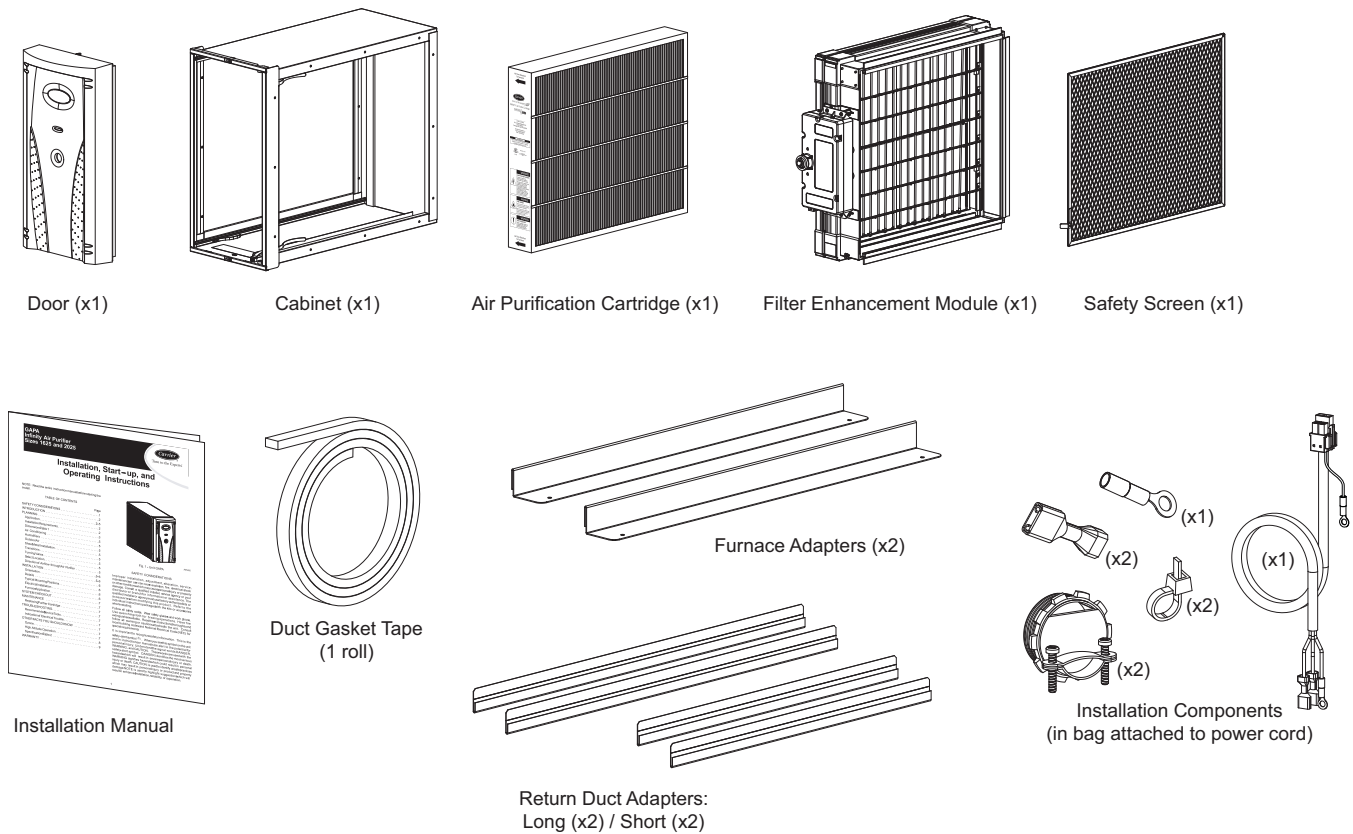


Fig. 2 - Infinity® Air Purifier Components

A14289

## INSTALLATION

### Check Infinity® Air Purifier Components

#### ⚠ CAUTION

##### CUT HAZARD

Failure to follow this caution may result in personal injury.

Sheet metal parts may have sharp edges or burrs. Use care and wear appropriate protective clothing and gloves when handling parts.

Carefully remove all items from the box.

#### Identify Mounting Location

- Identify a mounting orientation for the Infinity® Air Purifier in the return air duct (see Figures 3 and 4).

#### IMPORTANT:

- Ensure airflow direction through the Infinity® Air Purifier matches the arrows on the face of the air purifier

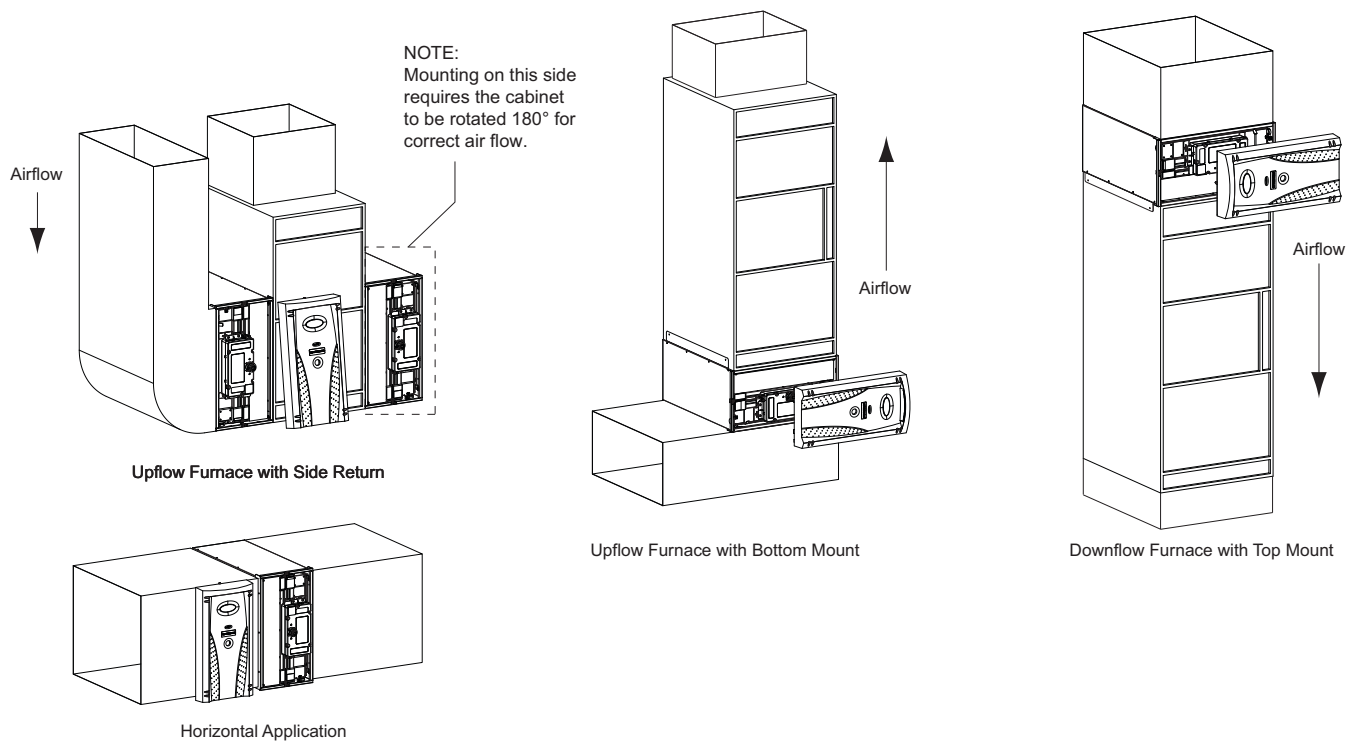


Fig. 3 - Infinity® Air Purifier Cabinet Orientation

cartridge and those on the sticker inside the cabinet. The Infinity® Air Purifier can be rotated 180° to accommodate the cabinet orientation.

- The location of the Infinity® Air Purifier should be readily accessible. Enough room should be provided for periodic replacement of the air purifier cartridges.

#### ⚠ WARNING

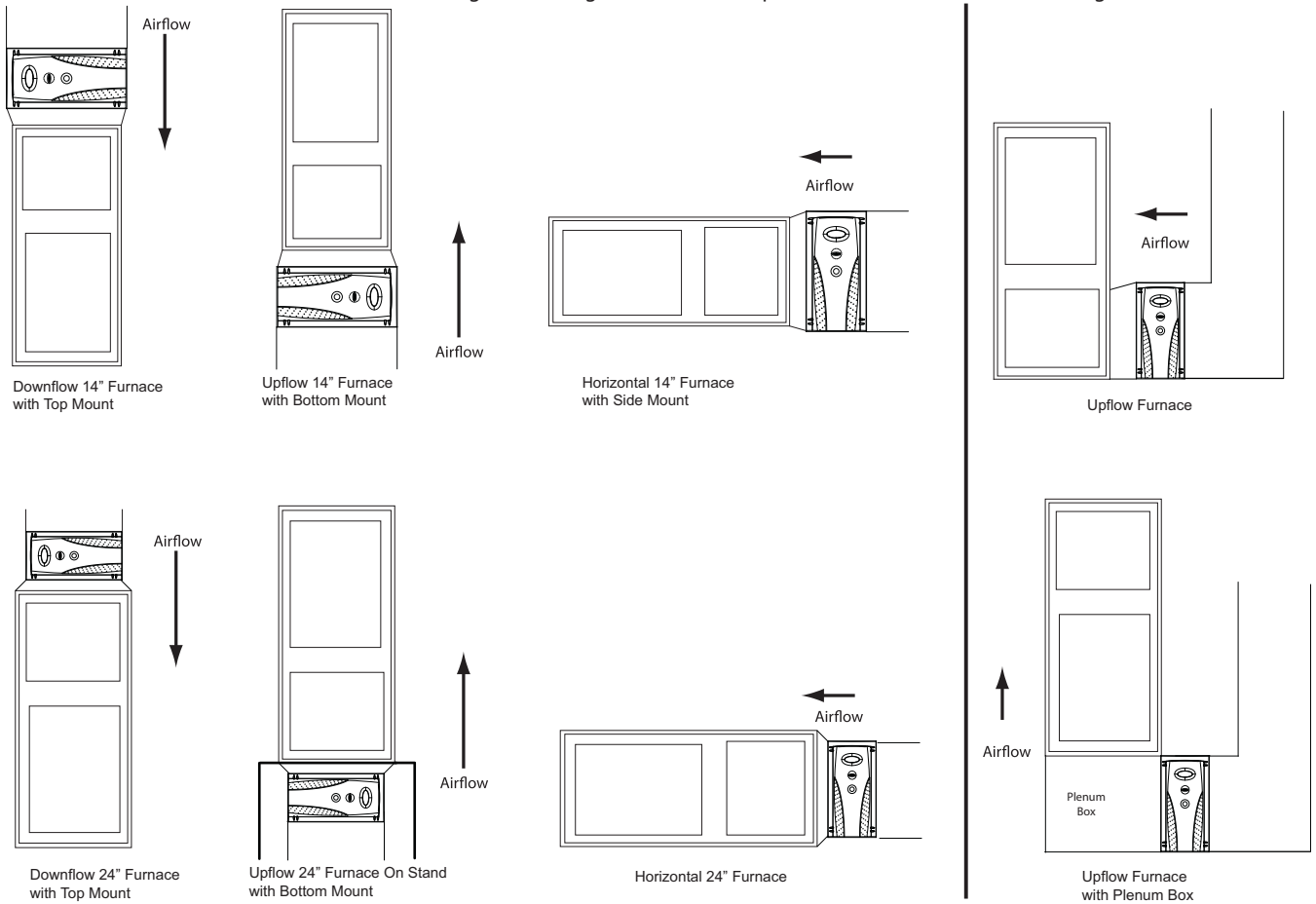
##### ELECTRIC SHOCK AND UNIT DAMAGE HAZARD

Failure to follow this warning could result in personal injury or death.

Only a trained, experienced service person should install the Infinity® Air Purifier. A thorough check of the unit installation should be completed before unit operation. Before performing installation, service or maintenance operations on unit, turn off all power to unit. Tag disconnect switch with lockout tag.

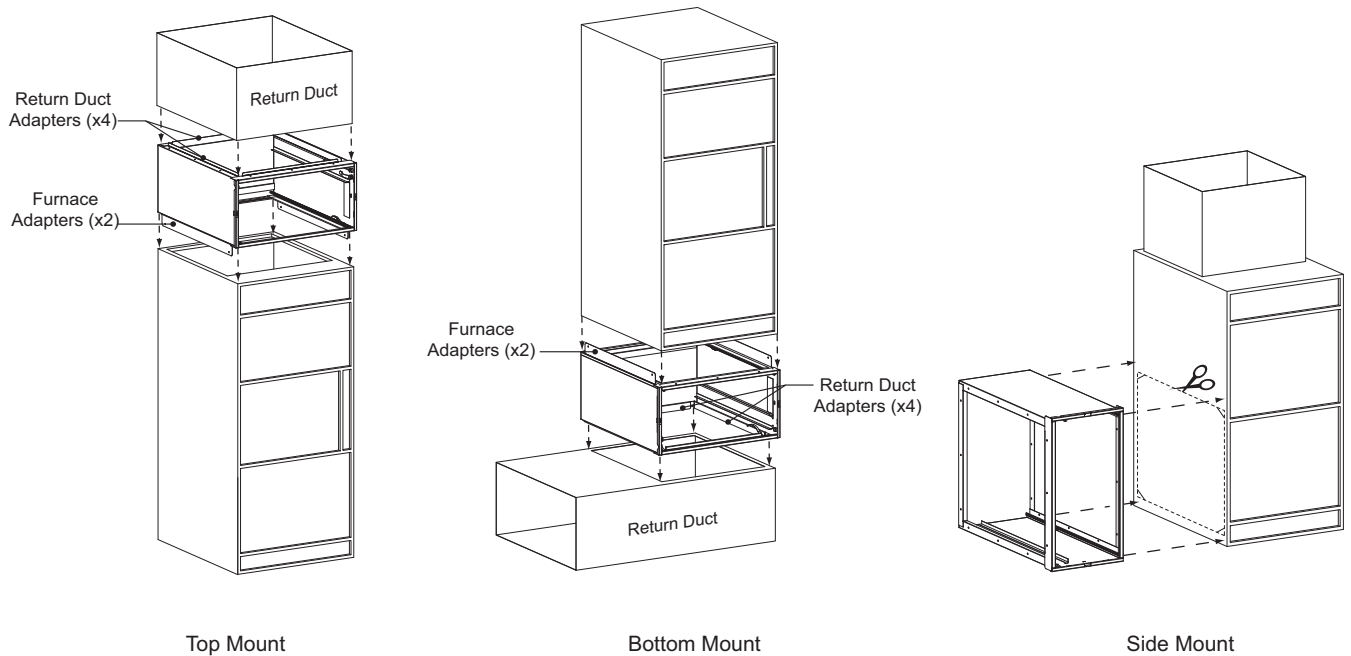
A14290

Note: When transitioning between two different sized components (furnace & purifier), the minimum transition angle at the larger of the two components must be no less than 45 degrees.



A08608

**Fig. 4 - Infinity® Air Purifier Cabinet Orientation with Transition**



A06029

**Fig. 5 - Mounting Infinity® Air Purifier Cabinet**

## Mount Cabinet

### ⚠ WARNING

#### ELECTRICAL SHOCK HAZARD

Failure to follow this warning could result in personal injury or death.

Before installing or servicing system, always turn off main power to system. There may be more than one (1) disconnect switch.

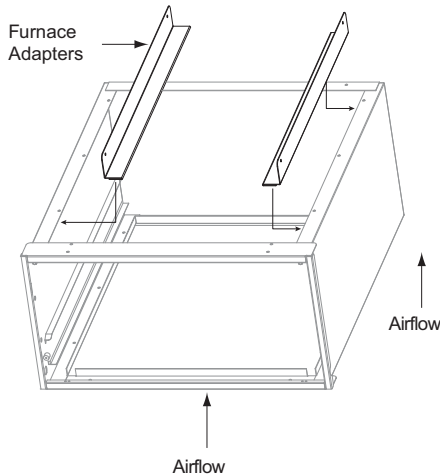
### ⚠ CAUTION

#### UNIT DAMAGE HAZARD

Failure to follow this caution may result in equipment damage.

Cabinets will support a maximum weight of 400 lbs/181 kg when installed beneath a vertical furnace or air-handling unit. When setting furnace on cabinet, do not drop it into place. Position the furnace correctly on the cabinet to prevent a corner from slipping down and damaging the cabinet or its components.

- Turn off power to the heating and cooling system.
- Remove the existing furnace filter and discard. Excessive system static may result if the Infinity® Air Purifier is used with other filtration devices.
- Remove the air purifier cartridge and enhancement module from the Infinity® Air Purifier cabinet.
- Position the cabinet between the furnace and return air duct (see Figures 3, 4, 5 and 6). A transition duct may be required.
- Furnace adapters have been included for installer convenience. They are designed for top or bottom mount installations (see Fig. 6).

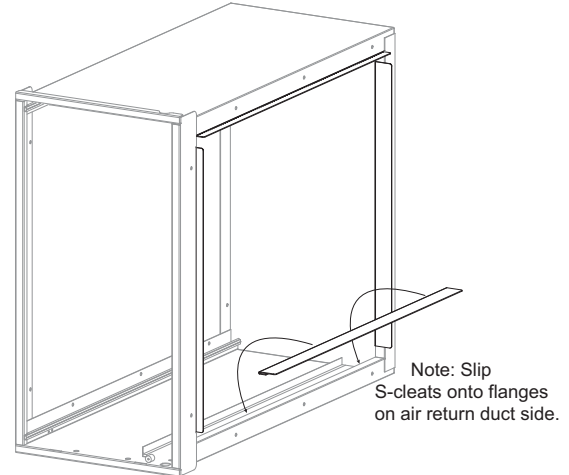


**Fig. 6 - Use of Furnace Adapters**

A14291

- Return air duct adapters have been included for installer convenience. They should be used to connect the upstream side of the air purifier cabinet to the return air duct (see Fig. 7).

- Install foam tape between the furnace and the air purifier cabinet.
- Mounting holes are provided for ductwork and furnace attachment.



A14292

**Fig. 7 - Use of Return Duct Adapters**

### ⚠ CAUTION

#### UNIT DAMAGE HAZARD

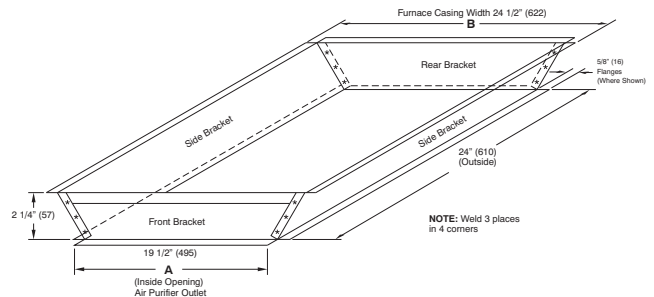
Failure to follow this caution may result in unit damage.

Mounting holes are provided for duct work and furnace attachment. The screws on the down-stream side of the cabinet should be installed so that the screw heads are inside air purifier cabinet to prevent damage to the air purifier cartridge.

- Seal seams with tape or caulking after the Infinity® Air Purifier cabinet has been secured.

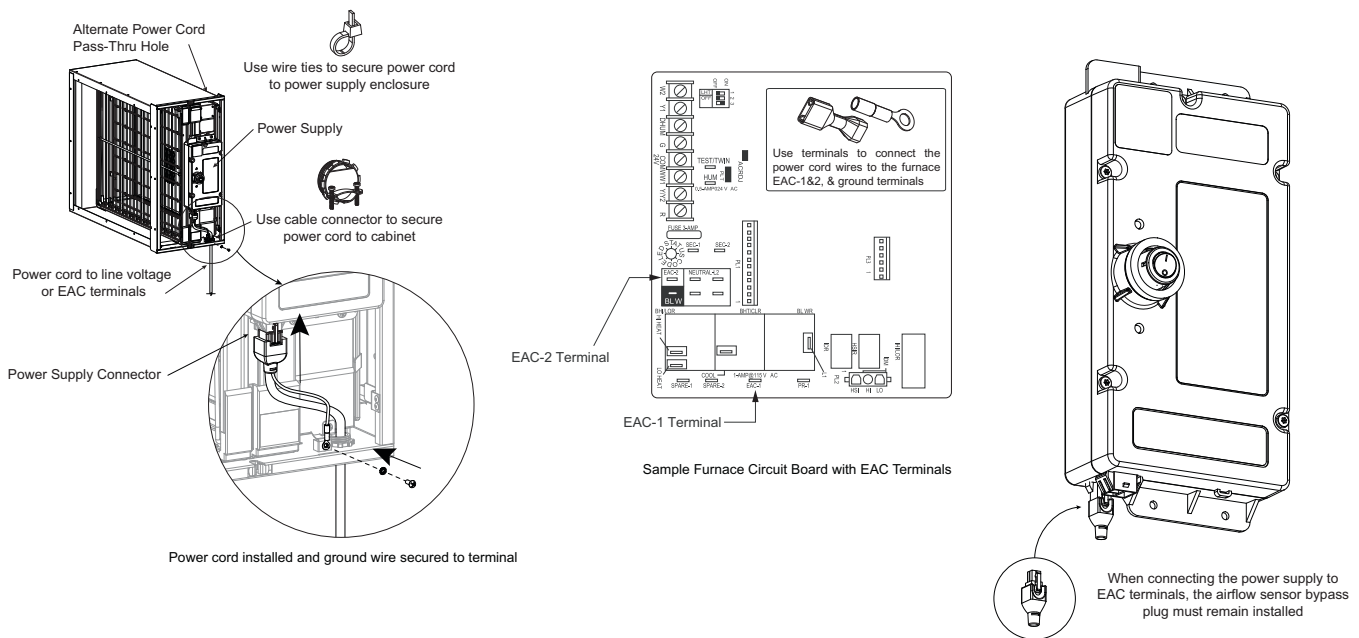
Special consideration must be given when applying the 2025 Air Purifier to a 24 1/2-in (622 mm) wide furnace.

- Prepare transition, following recommended transition drawing (see Fig. 8). Fabricate a 2 1/4-in (57 mm) tall (minimum) transition.
- Place transition on top of Air Purifier. Secure with sheet metal screws. Place furnace on top of transition. Make sure furnace rests evenly on top of transition and Air Purifier.
- Secure furnace to transition using sheet metal screws. See Fig. 4.
- Continue with normal installation practices.



**Fig. 8 - Recommended Transition**

A09001



**Fig. 9 - Infinity® Air Purifier Electrical Connections**

A14293

## Wiring

### ⚠ WARNING

#### ELECTRICAL SHOCK HAZARD

Failure to follow this warning could result in personal injury or death.

Before installing or servicing system, always turn off main power to system. There may be more than one (1) disconnect switch.

### ⚠ CAUTION

#### EQUIPMENT DAMAGE HAZARD

Failure to follow this caution may result in equipment damage or improper operation.

This unit cannot be powered directly from blower motor leads. Voltages can exceed 190 VAC (120v motors). Do not wire directly to blower motor. Wiring to blower motor will damage power supply and void warranty.

- Ensure power has been removed from the heating and cooling system.
- Turn the Infinity® Air Purifier power switch off.
- Connect the power cord and airflow sensor bypass plug to the appropriate power supply connectors (see Fig. 9). When connecting the power cord, the green ground wire must be attached to the ground terminal on the cabinet.
- Route the power cord through nearest cabinet hole and protect with enclosed cable connector. Zip ties have been enclosed to secure the power cord to the side of the power supply.
- Attach the quick connect terminals to the furnace EAC-1 and EAC-2 spade connections. Attach the ground ring to furnace chassis ground.

**NOTE:** The Infinity® Air Purifier is to be powered by 115v/60 Hz.

**NOTE:** The air purifier must only be powered when airflow is present. The furnace control EAC spade connections provide power only when the furnace blower is operating. When connecting to EAC terminals, the airflow bypass plug must be installed for proper operation (see Fig. 9). If EAC connections are not available, contact your local HVAC distributor for alternative options.

### ⚠ CAUTION

#### UNIT COMPONENT DAMAGE HAZARD

Failure to follow this caution may result in equipment damage or improper operation.

Black Lead - Connect to HOT (L1) or EAC-1 when provided.

White Lead - Connect to Neutral (L2) or EAC-2 when provided.

Green/Ground Lead - Connect to Appliance Ground (Chassis).

## START-UP AND OPERATION

### Checking Air Purifier Operation

### ⚠ WARNING

#### ELECTRICAL SHOCK HAZARD

Failure to follow this warning could result in personal injury or death.

Before installing or servicing system, always turn off main power to system. There may be more than one (1) disconnect switch.

- Attach the Infinity® Air Purifier door to the cabinet. A magnet in the door is used to activate a safety switch in the power supply when the door is installed. The power supply will not energize the air purifier unless the safety switch is activated.



## ⚠ WARNING

### CARBON MONOXIDE HAZARD

Failure to follow this warning could result in personal injury or death.

Do not remove door during blower operation or operate blower with door removed or improperly latched.

## ⚠ WARNING

### ELECTRICAL SHOCK AND HIGH VOLTAGE HAZARD

Failure to follow this warning could result in personal injury or death.

Before installing or servicing system, always turn off main power to system. There may be more than one (1) disconnect switch.

- b. Turn the HVAC system power on and adjust the thermostat or Infinity® System Control to activate the system fan.
- c. Turn the Infinity® Air Purifier power switch to on position.
- d. The power indicator light above the Air Purifier power switch should illuminate (see Fig. 10).
- e. Check to ensure the light goes off when the Infinity® Air Purifier power switch is set to off, when the blower goes off, or when the HVAC system power is turned off.

### Infinity® Control

When the Infinity® Air Purifier is used with an Infinity® Control, the Infinity® Control can be configured to remind the homeowner when it is time to change the Infinity® Air Purifier cartridge. This maintenance reminder can be based on either the TrueSense™ dirty filter algorithm or time. The installer should use their discretion to select the most appropriate option based on the initial system static pressure.

### Maximizing Performance

Maximum air purification performance is obtained when the furnace blower is set for continuous operation on the thermostat or Infinity® Control.

## MAINTENANCE

The Infinity® Air Purifier is designed to require minimal maintenance. Maintenance is limited to the periodic replacement of the air purification cartridge and inspection/brush cleaning of the ionization array. Frequency of air purifier cartridge replacement and cleaning of the ionization array may vary depending on ductwork design and local environmental conditions, generally 8-12 months.

## ⚠ WARNING

### FIRE HAZARD

Failure to follow this warning could result in personal injury or equipment damage.

Use of non-factory approved filter cartridge will void the warranty and may cause damage due to fire.

This equipment should be inspected frequently and collected dirt removed regularly to prevent excessive accumulation that may result in flash-over or fire damage.

**To replace the air purifier cartridge, complete the following steps:**

**Turn the heating and cooling system power off.**

## ⚠ WARNING

### ELECTRICAL SHOCK HAZARD

Failure to follow this warning could result in personal injury or death.

Before installing or servicing system, always turn off main power to system. There may be more than one (1) disconnect switch.

Turn the Infinity® Air Purifier switch to the off position.

Remove the Infinity® Air Purifier door.

Slide out the old air purifier cartridge and discard.

Install the new air purifier cartridge. Make sure the power cord is flexed out of the way to avoid damage to the air purifier cartridge pleats during insertion.

**NOTE:** Verify that the air purifier cartridge is installed correctly. Make sure that the arrows on the air purifier cartridge point toward the furnace. This should be in the same direction as airflow and match the arrows on the sticker inside the cabinet.

Replace the Infinity® Air Purifier door.

Turn the Infinity® Air Purifier switch to the on position.

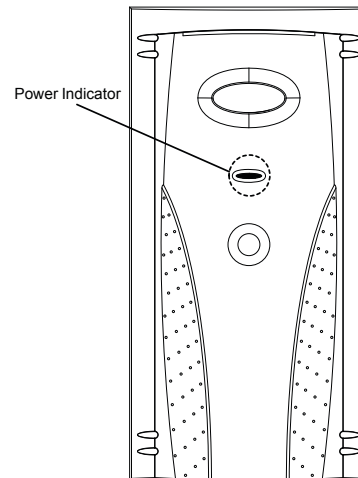
Turn heating and cooling system power on.

## ⚠ WARNING

### CARBON MONOXIDE HAZARD

Failure to follow this warning could result in personal injury or death.

Do not remove door during blower operation or operate blower with door removed or improperly latched.



**Fig. 10 - Power Indicator**

A06052

At the time of air purifier cartridge replacement, if a powdery residue is noticed on the tips of the points in the ionization array, proceed to clean them by completing the following steps.

**Turn heating and cooling system power off.**

**⚠ WARNING**

**ELECTRICAL SHOCK AND HIGH VOLTAGE HAZARD**

Failure to follow this warning could result in personal injury or death.

Before installing or servicing system, always turn off main power to system. There may be more than one (1) disconnect switch.

Turn the Infinity® Air Purifier switch to the off position.  
Remove the Infinity® Air Purifier door.  
Unplug the power cord from the enhancement module.  
Slide out the enhancement module assembly and safety screen.

**⚠ WARNING**

**CUT HAZARD**

Failure to follow this warning could result in personal injury.

Sheet metal parts may have sharp edges or burrs. Use care and wear appropriate protective clothing and gloves when handling parts.

Slide out the Safety Screen and set aside.

**NOTE:** Best cleaning tools: 5-in (127 mm) handle paint brush with 2-in (51 mm) width (or greater) brush point (synthetic or natural bristle) or vacuum cleaner with brush attachment. See Fig. 11.

Gently stroke the ionization pins on the top plane of each bar with enough brush depth to hit front and back tips of the points in the ionization array. Use a gentle back and forth brushing motion to clean any small accumulations from the tips of the points. If desired, use vacuum cleaner with brush attachment to gently vacuum the frame and components of enhancement module. Also, vacuum the safety screen to remove accumulated dust and debris.

Reinstall the Safety Screen. **Do not operate the unit without the Safety Screen**

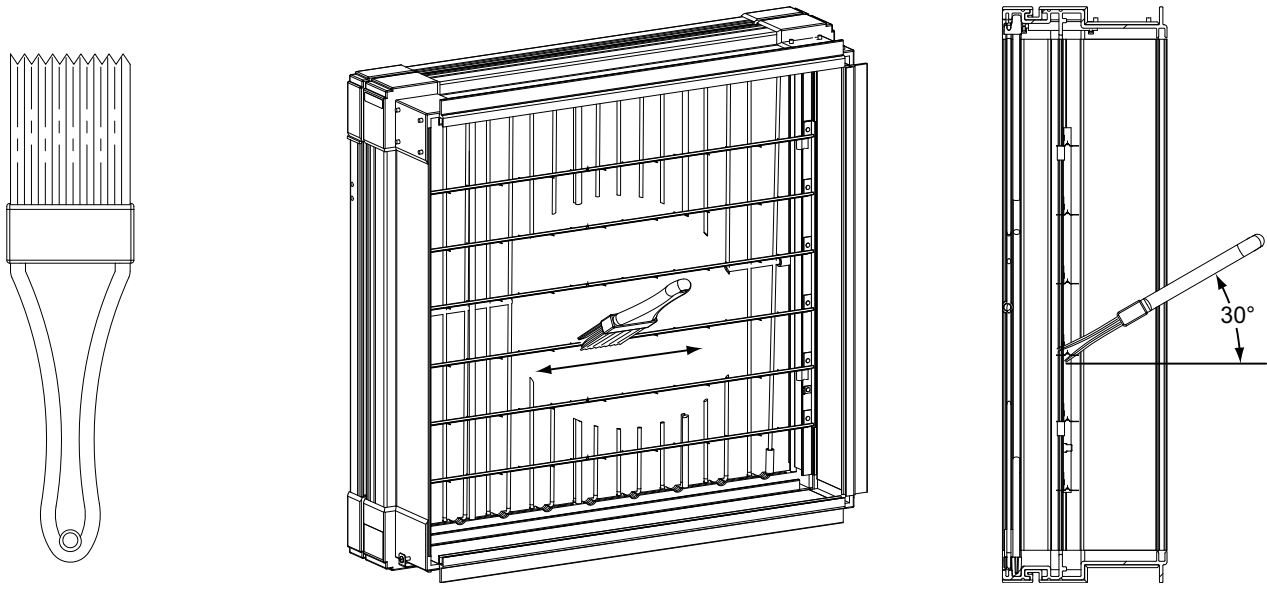
Slide in enhancement module.

Reconnect power cord.

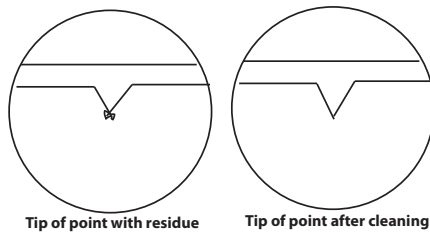
Replace the Infinity® Air Purifier door.

Turn the Infinity® Air Purifier switch to the on position.

Turn heating and cooling system power on.



**POINTS ARE SHARP! BE VERY CAREFUL DURING CLEANING.**



**Fig. 11 - Removal of Deposits from Ionization Pins**

A06671



## TROUBLESHOOTING

### ▲ CAUTION

**SAFETY HAZARD**

Failure to follow this caution may result in personal injury or equipment damage.

The following instructions are for use by qualified personnel only.

The air purifier is equipped with a power indicator light located on the door (see Fig. 10). This power indicator light will illuminate when the air purifier door is installed, the power switch is in the on position, AND the furnace blower is running. If the power indicator light is not illuminated, follow the troubleshooting steps below.

**If the air purifier shuts “OFF” during normal operations:**

This condition could be caused by the power supply recognizing that there is something wrong in the air purifier. The power supply detects air purifier electrical faults and shuts off the high voltage for 50 seconds if such a fault is detected. If 4-6 faults have been detected, the power supply will shut OFF and remain OFF. The air purifier will not turn ON until the problem has been corrected by the user and the unit has been reset per the instructions below.

### ▲ WARNING

**ELECTRICAL SHOCK HAZARD**

Failure to follow this warning could result in personal injury or death.

The following procedures will expose electrical components. Disconnect power between checks and proceed carefully. Only a trained, experienced service person should install and/or troubleshoot the Infinity® Air Purifier.

**TROUBLESHOOTING TABLE (if purifier does not turn on when airflow is present):**

POSSIBLE FAULT CAUSE	RECOMMENDED ACTION
ON/OFF power switch turned to OFF	Turn purifier power switch to ON position.
Power to entire system is OFF (fan coil and air purifier)	Check that the HVAC system is switched ON.
Blown fuse or tripped circuit breaker for HVAC system	Replace fuse or reset circuit breaker. Call for service if problem reoccurs.
Misaligned door or damaged purifier door	Insure that the door is undamaged and properly installed on a purifier cabinet. Replace door if damaged, available as a replacement kit.
Excessively dirty Filter Enhancement Module (FEM)	Clean / service air purifier unit.
Excessively dirty filter	Replace filter with only genuine replacement filter
Wet Filter Enhancement Module (FEM)	Call service to locate and eliminate the source of moisture in the air purifier. Verify the air purifier Filter Enhancement Module (FEM) and cabinet are clean and dry.
Wet filter	Call service to locate and eliminate the source of moisture in the air purifier. Verify the air purifier Filter Enhancement Module (FEM) and cabinet are clean and dry. Replace the filter with only a genuine replacement filter.
Damaged filter	Replace the filter with only a genuine replacement filter.
Damaged Filter Enhancement Module (FEM)	Replace the Filter Enhancement Module (FEM), available as a replacement kit.
Foreign object inside air purifier	Remove foreign object from the air purifier and insure the air purifier is clean and undamaged.

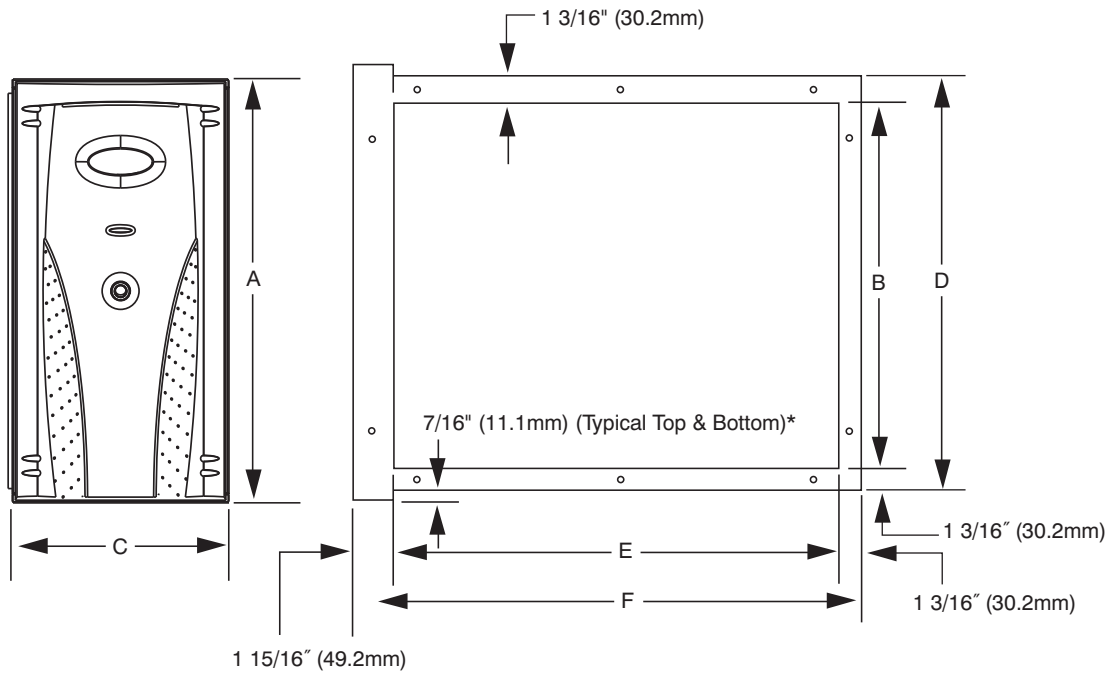
**To reset the air purifier power supply:**

Switch power to the OFF position for 10 seconds or more and then switch to the ON position.

# SPECIFICATIONS AND DIMENSIONS

**Table 1 – Specifications and Dimensions**

SPECIFICATIONS	GAPAAXCC1625	GAPAAXCC2025
Color	Taupe Metallic	Taupe Metallic
Cabinet Material	20 Ga. Powder Coated Steel	20 Ga. Powder Coated Steel
Electrical	115v/60 Hz (from furnace EAC terminals)	115v/60 Hz (from furnace EAC terminals)
Maximum Airflow (CFM)	1600	2000
Efficiency	MERV 15	MERV 15
Replacement Cartridge	GAPCCCAR1625	GAPCCCAR2025
Pressure Drop @ Maximum Airflow	.25 InH2O	.25 InH2O
Dimensions	GAPAAXCC1625	GAPAAXCC2025
A	18- 3/8- in (466.7mm)	21- 7/8- in (555.6mm)
B	15- 1/8- in (384.1mm)	18- 5/8- in (473.1mm)
C	11- 1/8- in (282.6mm)	11- 1/8- in (282.6mm)
D	17- 1/2- in (444.5mm)	21- in (533.4mm)
E	22- 1/8- in (562mm)	22- 1/8- in (562mm)
F	25- 1/4- in (642.4mm)	25- 1/4- in (642.4mm)



**Fig. 12 - Dimensions**

A09018

# Limited Warranty for Air Purifier

## FOR WARRANTY SERVICE OR REPAIR:

Contact the installer. You may find the installer's name on the equipment or in your Owner's Packet.

For help, contact: CAC / BDP, Consumer Relations, P.O. Box 4808, Syracuse, New York 13221, Phone 1-800-227-7437

**PRODUCT REGISTRATION:** You can register your product online at [www.cac-bdp.com](http://www.cac-bdp.com).

Model No. \_\_\_\_\_ Unit Serial No. \_\_\_\_\_  
 Date of Installation \_\_\_\_\_ Installed by \_\_\_\_\_  
 Name of Owner \_\_\_\_\_ Address of Installation \_\_\_\_\_

CAC / BDP (hereinafter "Company") warrants this product against failure due to defect in materials or workmanship under normal use and maintenance as follows. All warranty periods begin on the date of original installation. If a part fails due to defect during the applicable warranty period Company will provide a new or remanufactured part, at Company's option, to replace the failed defective part at no charge for the part. Alternatively, and at its option, the Company will allow a credit in the amount of the then factory selling price for a new equivalent part toward the retail purchase price of a new Company product. Except as otherwise stated herein, those are Company's exclusive obligations under this warranty for a product failure. This limited warranty is subject to all provisions, conditions, limitations and exclusions listed below and on the reverse (if any) of this document.

### OWNER-OCCUPIED, RESIDENTIAL APPLICATIONS

This warranty is to the original purchasing owner and is transferable only to the extent and as stated in the Warranty Conditions and below. The warranty period in years, depending on the part and the claimant, is as shown in the chart below.

Product	Limited Warranty (Years)	
	Original Owner	Subsequent Owner
GAPA Air Purifier	10* (or 5)	10** (or 5)

\* If properly registered within 90 days, otherwise 5 years (except in California and Quebec and other jurisdictions that prohibit warranty benefits conditioned on registration, registration is not required to obtain longer warranty periods). See Warranty Conditions below.

\*\* If properly transferred within 90 days, otherwise 5 years. See Warranty Conditions below. In California and Quebec and other jurisdictions that prohibit warranty benefits conditioned on registration, registration is not required for a transfer and all warranty periods for subsequent owners are five years from original installation.

### OTHER RESIDENTIAL APPLICATIONS (Apartments, Rental Properties, etc.)

The warranty period is five (5) years and is not transferable.

### OTHER APPLICATIONS

This warranty is non-transferable. The warranty period is one (1) year on all such applications.

**LEGAL REMEDIES** - The owner **must** notify the Company in writing, by certified or registered letter to CAC / BDP, Warranty Claims, P.O. Box 4808, Syracuse, New York 13221, of any defect or complaint with the product, stating the defect or complaint and a specific request for repair, replacement, or other correction of the product under warranty, mailed at least thirty (30) days before pursuing any legal rights or remedies.

**WARRANTY CONDITIONS:**

1. To obtain the longer warranty periods as shown in the table under original owner, for the original purchaser, the product must be properly registered at [www.cac-bdp.com](http://www.cac-bdp.com) within ninety (90) days of original installation. In jurisdictions where warranty terms conditioned on registration are prohibited by law, registration is not required and the longer warranty period shown will be apply.
2. Where a product is installed in a newly constructed home, the date of installation is the date the homeowner purchased the home from the builder.
3. If the date of original installation cannot be verified, then the warranty period begins ninety (90) days from the date of product manufacture (as indicated by the model and serial number). Proof of purchase may be required at time of service.
4. The remainder of the first five years of warranty is freely transferable without registration. To obtain a transfer of the longer warranty periods as shown in the table under subsequent owner, a subsequent owner must register the transfer at [www.cac-bdp.com](http://www.cac-bdp.com) within 90 days of the change in ownership and payment of a transfer fee. Not applicable in all jurisdictions. See website for details.
5. Product must be installed properly and by a licensed HVAC technician.
6. The warranty applies only to products remaining in their original installation location.
7. Installation, use, care, and maintenance must be normal and in accordance with instructions contained in the Installation Instructions, Owner's Manual and Company's service information.
8. Defective parts must be returned to the distributor through a registered servicing dealer for credit.

**LIMITATIONS OF WARRANTIES:** ALL IMPLIED WARRANTIES AND/OR CONDITIONS (INCLUDING IMPLIED WARRANTIES OR CONDITIONS OF MERCHANTABILITY AND FITNESS FOR A PARTICULAR USE OR PURPOSE) ARE LIMITED TO THE DURATION OF THIS LIMITED WARRANTY. SOME STATES OR PROVINCES DO NOT ALLOW LIMITATIONS ON HOW LONG AN IMPLIED WARRANTY OR CONDITION LASTS. SO THE ABOVE MAY NOT APPLY TO YOU. THE EXPRESS WARRANTIES MADE IN THIS WARRANTY ARE EXCLUSIVE AND MAY NOT BE ALTERED, ENLARGED, OR CHANGED BY ANY DISTRIBUTOR, DEALER, OR OTHER PERSON, WHATSOEVER.

**THIS WARRANTY DOES NOT COVER:**

1. Labor or other costs incurred for diagnosing, repairing, removing, installing, shipping, servicing or handling of either defective parts, or replacement parts, or new units.
2. Any product purchased over the Internet.
3. Normal maintenance as outlined in the installation and servicing instructions or Owner's Manual, including filter cleaning and/or replacement and lubrication.
4. Failure, damage or repairs from faulty installation, misapplication, abuse, improper servicing, unauthorized alteration or improper operation.
5. Failure to start due to voltage conditions, blown fuses, open circuit breakers, or damages due to the inadequacy or interruption of electrical service.
6. Failure or damage due to floods, winds, fires, lightning, accidents, corrosive environments (rust, etc) or other conditions beyond the control of Company.
7. Parts not supplied or designated by Company, or damages resulting from their use.
8. Products installed outside the U.S.A. or its territories and Canada.
9. Electricity or fuel costs, or increases in electricity or fuel costs from any reason whatsoever, including additional or unusual use of supplemental electric heat.
10. Any cost to replace, refill or dispose of refrigerant, including the cost of refrigerant.
11. ANY SPECIAL, INDIRECT OR CONSEQUENTIAL PROPERTY OR COMMERCIAL DAMAGE OF ANY NATURE WHATSOEVER. Some states or provinces do not allow the exclusion of incidental or consequential damages, so the above limitation may not apply to you.

This Warranty gives you specific legal rights, and you may also have other rights which vary from state to state or province to province.

39004DP452  
01/10