

Installation Instructions


NOTE: Read and understand this instruction manual before starting the installation.

SAFETY CONSIDERATIONS

Improper installation, adjustment, alteration, service, maintenance, or use can cause explosion, fire, electrical shock or other conditions which may cause death, personal injury or property damage. Consult a qualified installer, service agency, or your distributor or branch for information or assistance. The qualified installer or agency must use factory-authorized kits or accessories when modifying this product. Refer to the individual instructions packaged with the kits or accessories when installing.

Follow all safety codes. Wear safety glasses, protective clothing and work gloves. Use quenching cloths for brazing operations. Have fire extinguisher available. Read these instructions thoroughly and follow all warnings or cautions attached to the unit. Consult local building codes and the current editions of the National Electrical Codes (NEC) NFPA 70.

In Canada, refer to the current editions of the Canadian Electrical Code CSA C22.1.

Recognize safety information. This is the safety-alert symbol . When you see this symbol on the unit and in instructions or manuals, be alert to the potential for personal injury.

Understand the signal words **DANGER**, **WARNING** and **CAUTION**. These words are used with the safety-alert symbol. **DANGER** identifies the most serious hazards which **will** result in severe personal injury or death. **WARNING** signifies hazards which **could** result in personal injury or death. **CAUTION** is used to identify unsafe practices, which **may** result in minor personal injury or product and property damage. **NOTE** is used to highlight suggestions which **will** result in enhanced installation, reliability, or operation.

WARNING

ELECTRICAL SHOCK HAZARD

Failure to follow this warning could result in personal injury or death.

Before installing, modifying or servicing system, always turn off main power to system. There may be more than one disconnect switch. Lock out and tag switch with a suitable warning label.

CAUTION

CUT HAZARD

Failure to follow this caution may result in personal injury.

Sheet metal parts may have sharp edges or burrs. Use care and wear appropriate protective clothing and gloves when handling parts.

INTRODUCTION

The fan coil with the installed gasket package allows the unit to meet requirement of less than 2% cabinet leakage rate at 0.5 inches W.C., and 1.4% cabinet leakage rate at 0.5 inches W.C. when tested in accordance with the American Society of Heating, Refrigeration and Air-Conditioning Engineers (ASHRAE) 193 standard. The gasket must be mounted **exactly as illustrated** by these instructions in order to meet leakage requirements.

PACKAGE CONTENTS

- Installation Instructions
- 15' roll of 1/8" x 1/2" wide gasket seal

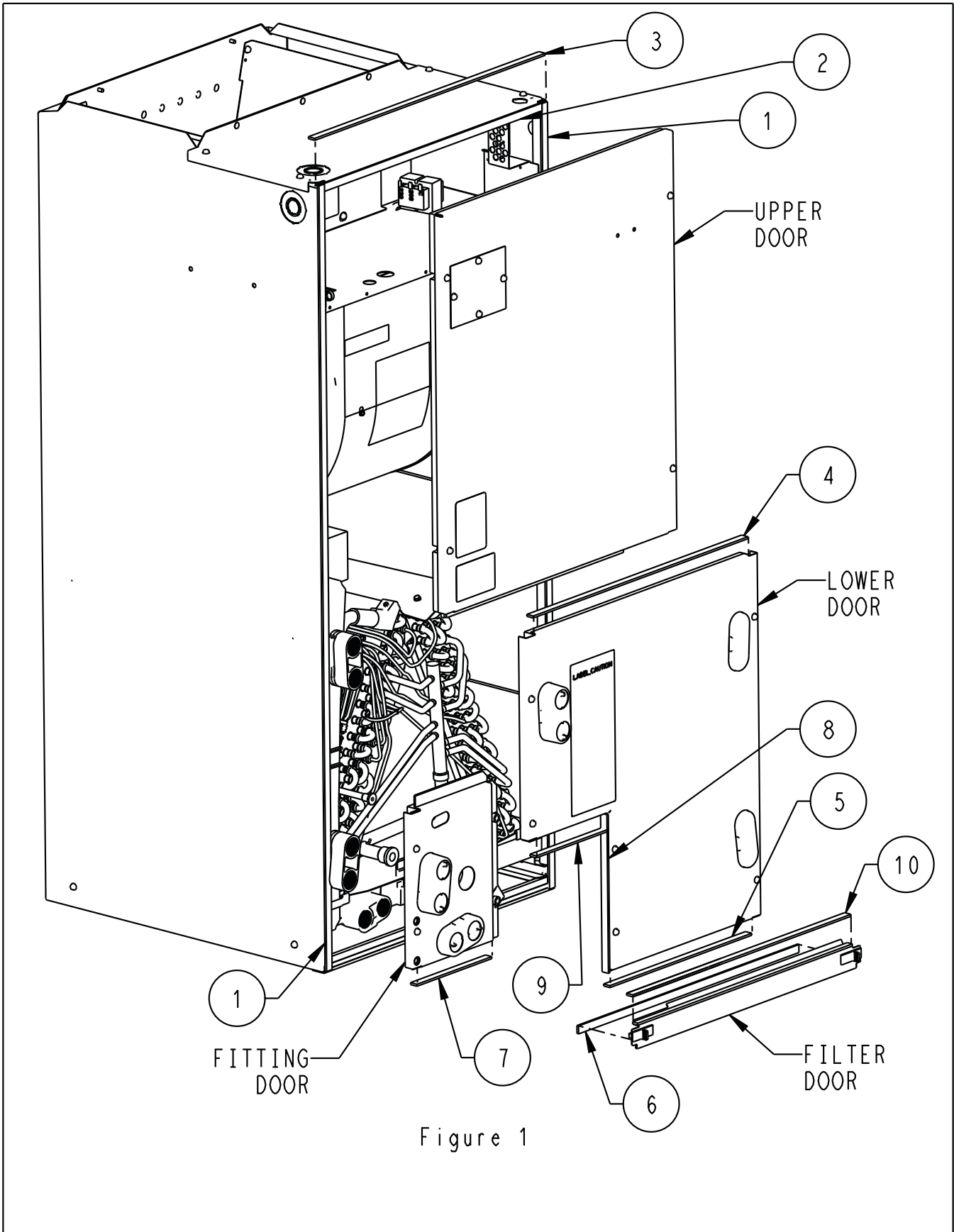
INSTALLATION

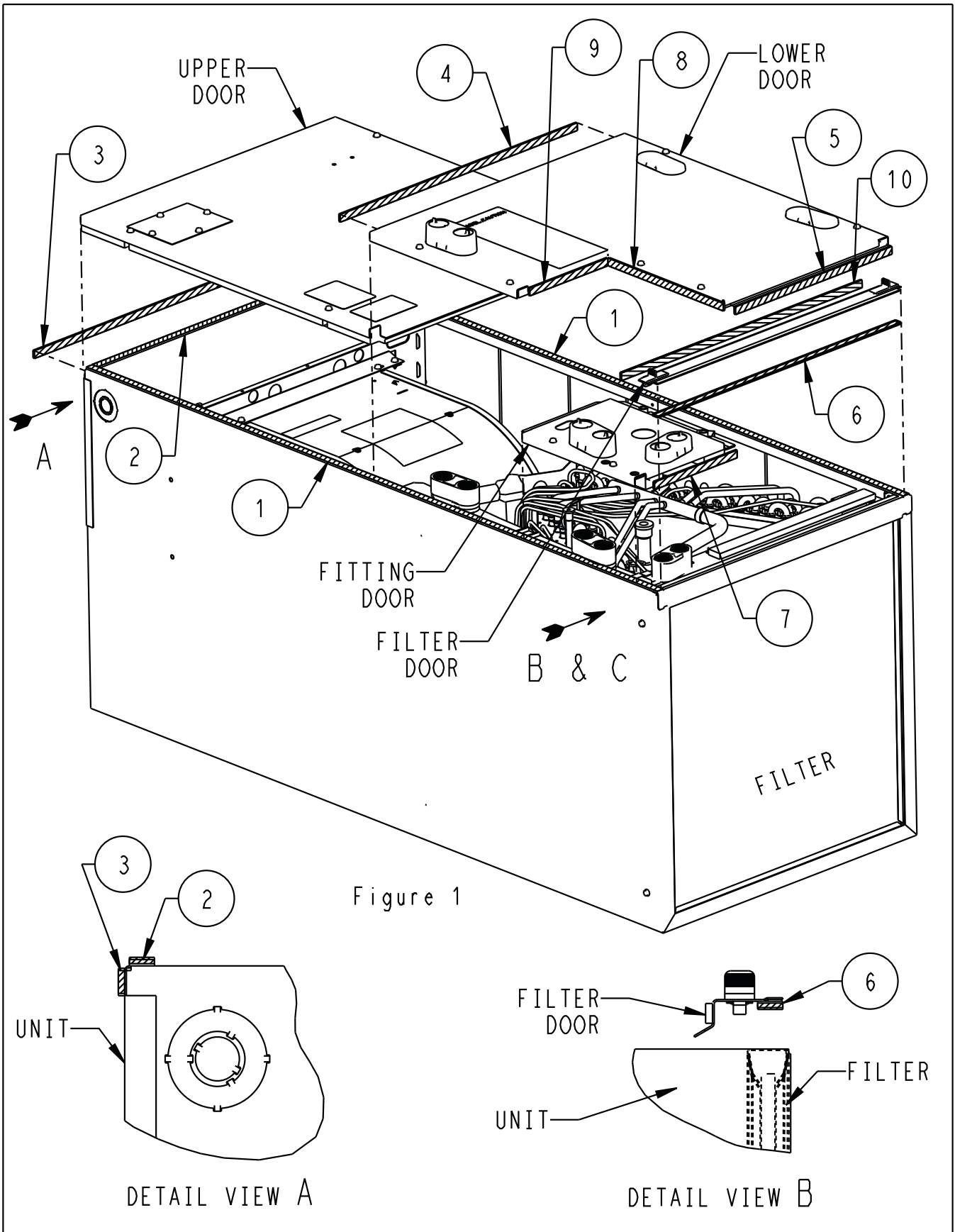
Make sure to **turn off and lock out** all power sources to the fan coil unit.

Measure the edges as shown in Figure 1 (numbered 1 thru 10) and **precisely cut** gasket lengths when applying the gasket. The seams where the gasket is applied **must meet and join** together **tightly**.

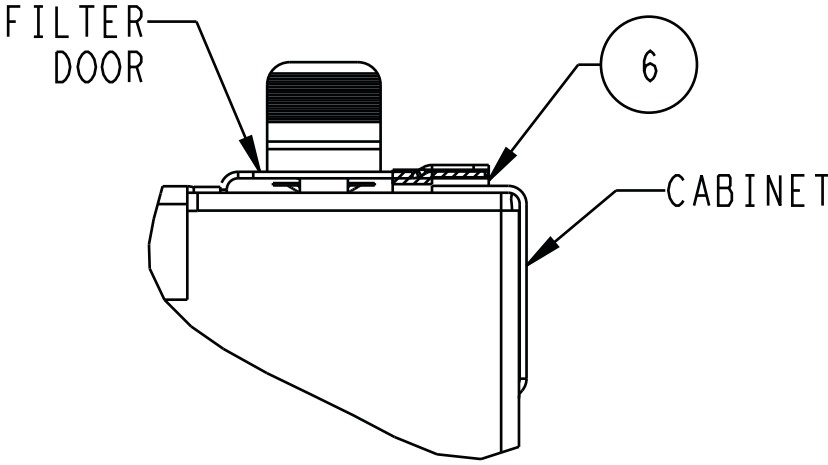
Ensure that the gasket is taut at application and that the mating surface is clean and free of contaminants for optimal adhesion.

1. Remove the Lower Door, Fitting Door, Filter Door, and Upper Door from the unit as shown in Figure 1.
2. Apply the gasket (1) along both sides of the front face outer border on the fan coil cabinet.
3. Apply the gasket (2) along the top of the front face on the coil cabinetry.
4. Apply the gasket (3) to the top of the coil cabinetry. See Figure 1 and Detail View A.
5. Apply the gasket (4) to the Upper rim of the Lower Door.
6. Apply the gasket (5) to the Lower perimeter of the Lower Door.
7. Apply the gasket (10) to the top surface of the Filter Door.
8. Apply the gasket (6) to the lower side of the Filter Door, causing a sandwich effect where the gasket is placed between the door and the coil cabinet frame. See Figure 1 and Detail Views B & C. **NOTE:** To make sure the Filter Door fits and operates correctly, cut notches at each end of the gasket where the filter door clasps are located.
9. Apply the gasket (7) to the lower edge of Fitting Door.
10. Apply gaskets (8 and 9) to the inside edges of the Lower Door.
11. Make sure all gaskets are not damaged, and then re-mount the Upper Door, Fitting Door, Lower Door, and Filter Door to the fan coil unit. Make sure the doors fit uniformly and evenly along the edges.





A180098



DETAIL VIEW C