

Installation Instructions


NOTE: Read the entire instruction manual before starting the installation.

SAFETY CONSIDERATIONS

Improper installation, adjustment, alteration, service, maintenance, or use can cause explosion, fire, electrical shock, or other conditions which may cause death, personal injury or property damage. Consult a qualified installer, service agency or your distributor or branch for information or assistance. The qualified installer or agency must use factory-authorized kits or accessories when modifying this product. Refer to the individual instructions packaged with the kits or accessories when installing.

Follow all safety codes. Wear safety glasses, protective clothing, and work gloves. Have a fire extinguisher available. Read these instructions thoroughly and follow all warnings and cautions included in literature and attached to the unit. Consult local building codes and the current edition of the National Electrical Code (NEC) NFPA 70.

In Canada, refer to the current editions of the Canadian Electrical Code CSA C22.1.

Recognize safety information. When you see this symbol  on the unit and in instructions or manuals, be alert to the potential for personal injury. Understand the signal words **DANGER**, **WARNING**, and **CAUTION**. These words are used with the safety-alert symbol. **DANGER** identifies the most serious hazards, which **will** result in severe personal injury or death. **WARNING** signifies hazards, which **could** result in personal injury or death. **CAUTION** is used to identify unsafe practices, which **may** result in minor personal injury or product and property damage. **NOTE** is used to highlight suggestions which **will** result in enhanced installation, reliability, or operation.

WARNING

ELECTRICAL SHOCK HAZARD

Failure to follow this warning could result in personal injury or death.

Before installing or servicing system, always turn off main power to system. There may be more than one disconnect switch. Lock out and tag switch with a suitable warning label.

CAUTION

UNIT DAMAGE HAZARD

Failure to follow this caution may result in unit damage.

Unit must not be installed where freezing temperatures could occur. Do not install unit on the furnace or fan coil jacket. Do not install unit where ends of cooling coil could restrict airflow to the humidifier. Condensation damage could occur if home has closed-off, unheated rooms.

INSTALLATION INSTRUCTIONS FOR DUCT MOUNTING (See next page for wall mounting)

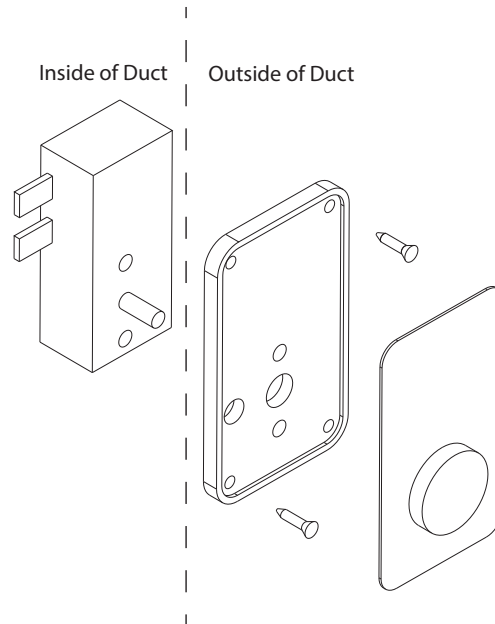


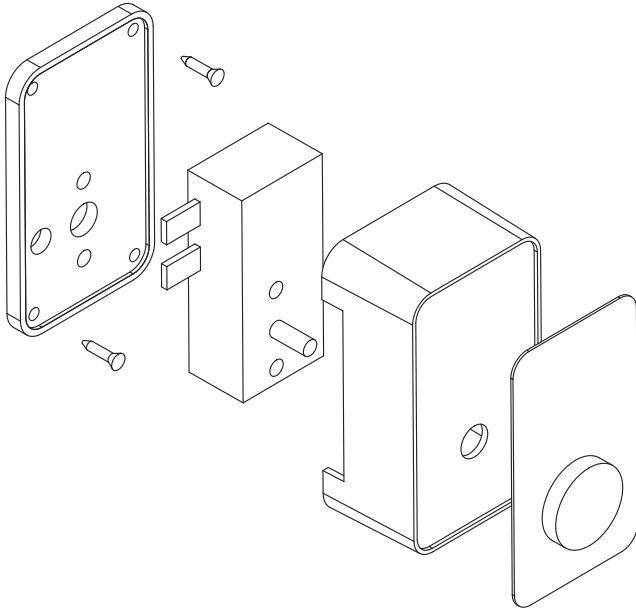
Fig. 1 - Duct-Mount Diagram

A13349

1. Turn OFF power to the humidifier.
2. The humidistat has been pre-assembled for wall mounting. Duct mount applications will need adaptation, refer to Fig. 1.
3. Select a location on the return air duct to mount the humidistat. **IMPORTANT! IT MUST BE PLACED UPSTREAM FROM THE HUMIDIFIER.**
4. Using the mounting template (Fig. 3) on Pg. 3, drill the four mounting holes using a 5/64" (2mm) drill bit. Next drill the holes for the Humidistat Cutout Area using a 3/8" (10mm) drill bit. Finally, drill the hole for the wire leads using a 1/4" (7mm) drill bit.
5. Using tin snips, carefully cut out the opening for the humidistat. **BE CAREFUL! METAL EDGES ARE SHARP.** Drill four corner holes to start the cut.
6. Carefully run the wire leads through the lead wire hole and position the humidistat in the humidistat opening.
7. Fasten the humidistat to the duct with screws provided.
8. Remove the paper backing from the humidistat label and apply to the face of the mounting base. Attach the knob to the humidistat control shaft. Turn knob to the "off" position.
9. Join the wire leads to the thermostat cable using the wire connectors provided. (Refer to humidifier installation instructions for system wiring options.)

10. Turn power back ON.
11. Adjust the knob to the desired relative humidity level.
12. Allow system to level. This may take a day or two. Turning the knob to “on” position will not reach level faster. Adjust as needed to reach comfort level.

INSTRUCTIONS FOR WALL MOUNTING



A13351

Fig. 2 - Wall-Mount Diagram

1. Turn OFF power to the humidifier.
2. Select the location for the humidistat. Choose a centrally located interior wall away from doors and windows.
3. Using the mounting template (Fig. 4) on Pg. 3, drill the four mounting holes using a 5/64” (2mm) drill bit. Next drill the hole for the wire leads using a 3/8” (10mm) drill bit.
4. Run the thermostat cable through the wire lead hole to the humidifier. Ensure there is enough cable for the 24 volt transformer also. Refer to wiring diagram. Leave about 6” (15cm) of thermostat cable sticking out of the wall. This will be connected to the humidistat.
5. Remove the control knob and cover. Fasten the unit to the wall using the screws provided. Use appropriate anchors (sold separately) when fastening to drywall.
6. Join the wire leads to the thermostat cable using the wire connectors provided.
7. Replace the cover on the unit. Remove the paper backing from the humidistat label and apply to the face of the cover. Attach the knob to the control shaft. Turn knob to the “off” position.
8. Connect thermostat cable to the humidifier and transformer. (Refer to humidifier installation instructions for system wiring options.)
9. Turn power back on.
10. Adjust the knob to the desired relative humidity level.
11. Allow system to level. This may take a day or two. Turning the knob to “on” position will not reach level faster. Adjust as needed to reach comfort level.

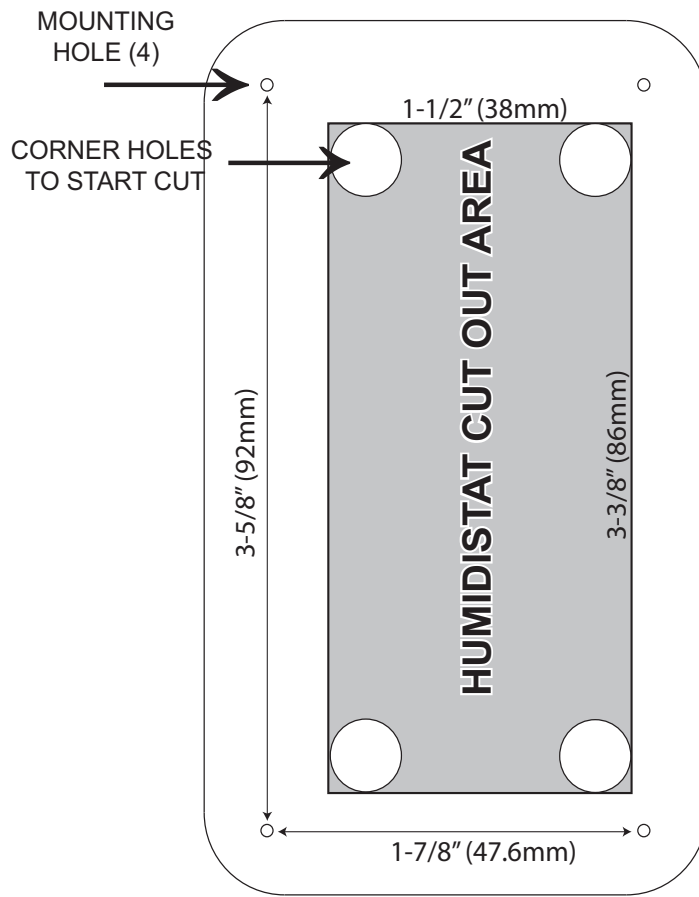


Fig. 3 - Duct-Mount Template

A13350

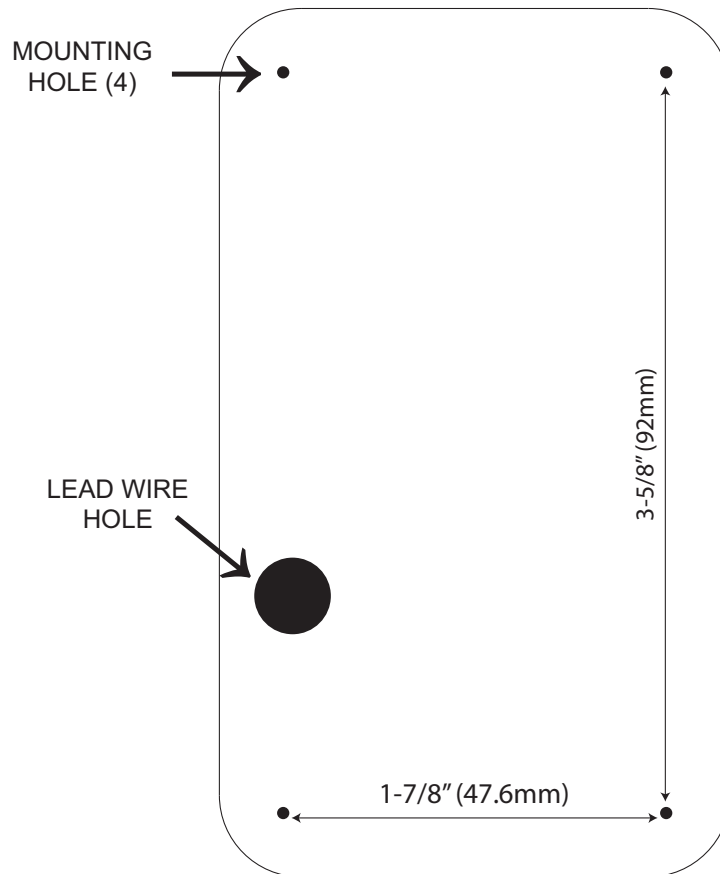


Fig. 4 - Wall-Mount Template

A13352

