


## Installation Instructions

**NOTE:** Read the entire instruction manual before starting the installation.

### INTRODUCTION

A common wire (C) is required for 5-wire thermostats. If there are only four wires to your existing thermostat (i.e. there is no C wire), you can only use this Power Extender Kit (PEK) to power your TP-WEM01 or T6-WEM01 thermostat.

### SAFETY CONSIDERATIONS

Read and follow manufacturer instructions carefully. Recognize safety information. This is the Safety alert symbol . When you see this symbol on the equipment and in the instruction manual, be alert to the potential for personal injury. Understand the signal words DANGER, WARNING, and CAUTION. These words are used with the safety-alert symbol. DANGER identifies the most serious hazards which **will** result in severe personal injury or death. WARNING signifies a hazard which **could** result in personal injury or death. CAUTION is used to identify unsafe practices which **may** result in minor personal injury or product and property damage. NOTE is used to highlight suggestions which **will** result in enhanced installation.

### INSTALLATION

#### Install Wiring Harness

The Power Extender wiring harness must be installed in an indoor, dry location, near the HVAC equipment. When choosing a location, the distance between the wiring harness and the HVAC equipment must not exceed 18 inches (0.4 m).

**⚠ CAUTION**

**UNIT DAMAGE HAZARD**

Failure to follow this caution may result in electronic control damage.

This equipment is sensitive to electrostatic discharge (ESD). Before starting, discharge your body of static electricity by touching a grounded metal object. Always hold the devices by their edges and do not touch any of the internal components

1. Power off to the HVAC equipment.
2. Remove the top cover of the PEK by gently squeezing its sides.
3. Remove the cover to your indoor equipment's control panel. Note or take a picture of the wire connections for reference.
4. Disconnect the wires from the control panel and reconnect them to the corresponding terminals on the thermostat side of the Power Extender Kit.
5. Using the wire harness provided connect the terminals on the equipment side of the PEK to the corresponding terminals on the control panel. Make sure to connect the R/Rh/Rc wire to the same terminal on the control panel that was previously connected.
6. Close the PEK and attach it to the outside or inside of the furnace or in a dry location that doesn't strain the wires.

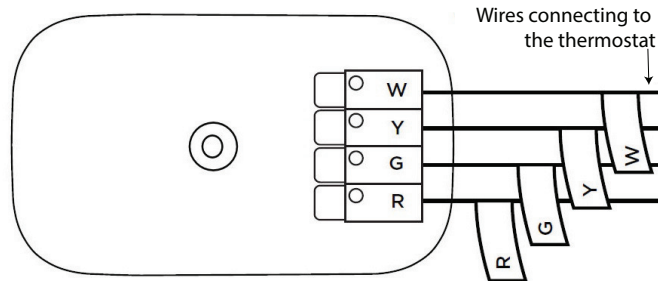


Fig. 1 - PEK Base

A14611

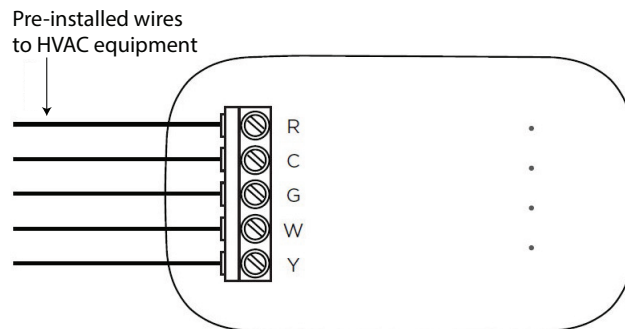


Fig. 2 - PEK Cover

A14612

## Power On the System

After you have completed the wiring, you can power on and test the system.

1. Re-attach the thermostat to the backplate. Ensure that the pins on the thermostat align with the terminal block on the backplate.
2. Power on the HVAC equipment. The thermostat should automatically power on.
3. Test your wiring by alternately adjusting the set temperature and running the different heat, cool, and fan modes.
4. Once you are satisfied the wiring is correct, re-attach the wiring harness's front cover. Make sure the wires exit the module via the wire channel.
5. Re-attach any cover panels that you previously removed on the HVAC equipment.

## PRODUCT SPECIFICATIONS

### Environmental

For indoor use only

Temperature: -40°F to 160°F (-40°C to 70°C)

Humidity: 5-95% RH (non-condensing)

### Dimensions

2.75 x 2.0 x 0.75 inches (70 x 51 x 25mm)

### Electrical

Input: 18 to 30 VAC (50 or 60 Hz), 30mA@24V

Output: 18 to 30 VAC (50 or 60 Hz) 2A per terminal

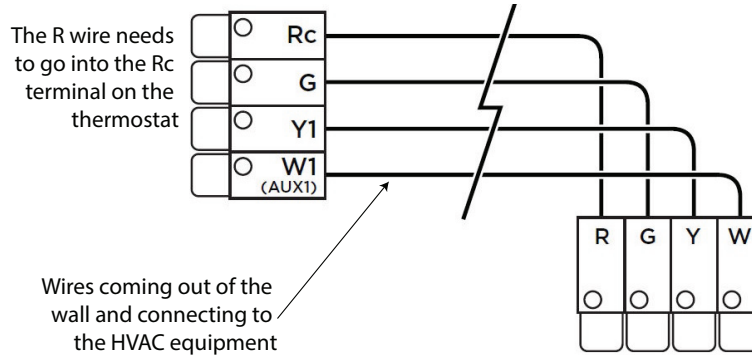


Fig. 3 - PEK Wiring

A14613