

KSACN0101AAA

**Wired Remote Controller (with Timer Function)
For Ductless Systems**

Installation Instructions




NOTES: Read the entire instruction manual before starting the installation.

TABLE OF CONTENTS

	PAGE
SAFETY CONSIDERATIONS	2
COMPATIBILITY	4
INSTALLATION	5
PART LIST	6
DIMENSIONS	7
CONNECTION DIAGRAM	7
INSTALLATION	8
CONSTANT AIR VOLUME TESTING	15

SAFETY CONSIDERATIONS

Read these instructions thoroughly and follow all warnings or cautions included in the literature and attached to the unit. Consult local building codes and National Electrical Code (NEC) for special requirements. Recognize safety information.

This is the safety-alert symbol . When you see this symbol on the unit and in instructions or manuals, pay attention to the potential for personal injury. Understand these signal words: DANGER, WARNING, and CAUTION. These words are used with the safety-alert symbol. DANGER identifies the most serious hazards which will result in severe personal injury or death. WARNING signifies hazards which could result in personal injury or death. CAUTION is used to identify unsafe practices which may result in minor personal injury or product and property damage. NOTE is used to highlight suggestions which **will** result in enhanced installation, reliability, or operation.



WARNING

INSTALLATION

Entrust the distributor or authorized professionals to install the unit. Installation by unskilled persons may lead to improper installation, electric shock, or fire. Re-installation must be performed by authorized professionals. Non-compliance may lead to electric shock or fire.



CAUTION

EQUIPMENT DAMAGE HAZARD

Failure to follow this warning may result in equipment damage. Do not install the wired controller in an area subjected to excessive steam, oil, or sulfide gas. Doing so may cause the controller to deform and/or fail.



WARNING

ELECTRONIC SHOCK HAZARD

Failure to follow this warning could result in personal injury or death.

Before beginning any kit modification or installation, ensure the main electrical disconnect is in the OFF position. Ensure power is disconnected to the fan coil unit. Some systems may have both the fan coil and the outdoor unit on the same disconnect. Tag the disconnect switch with a suitable warning label. There may be more than one disconnect.

COMPATIBILITY

Table 1 – Compatibility

	Model Number	Wired Controller Part Number
		KSACN0101AAA
High Wall	40MAQ	•
	619P*B	•
	DLFSHA	•
Cassette	40MBQB*C	•
	619R*C	•
	40MBCQ	•
	DLFSCA	•
	DLFLCA	•
Ducted	40MBQB*D	•
	619R*D	•
	40MBDQ	•
	DLFSDA	•
	DLFLDA	•
Console	40MBQB*F	•
	619R*F	•
	40MBFQ	•
	DLFSFA	•
	DLFLFA	•

NOTES: The wildcard character (*) represents one or more characters

INSTALLATION

Installation precautions for the wired remote controller:

- Do not install in a location near heavy oil, vapor or sulfurated gas otherwise this product will deform which will lead to a system malfunction.
- Do not install the unit in a location near flammable gas leaks. Once flammable gases leak and are left near the wired controller, a fire may occur. Do not operate with wet hands. Do not allow water to enter the wired controller otherwise an electric shock may occur.
- The wiring should conform to the wired controller current otherwise electric leakage or heating may occur which may result in fire. Use the correct cables for wiring. No external force may be applied to the terminal otherwise wire cuts and heating may occur and result in a fire.
- This manual contains the installation method for the wired controller. Refer to the wiring diagram in this manual to connect the wired controller to the indoor unit.
- The wired controller operates in a low voltage loop circuit. Do not connect the 208–230V power directly to the thermostat. Do not wire this type of wire in the same loop. The wiring clearance between the configured tubes should maintain a range of 12 – 20 inches (305–508mm) or more.
- The wired controller shielded wire must be well grounded.
- The wired controller connective cable should not be longer than 66 feet (20 meters).

This manual provides a detailed description of the precautions that should be taken during operation. To ensure correct service of the wired controller, read this manual carefully before using the unit. After reading this manual thoroughly, keep it for future reference.

PARTS LIST

Kit Contents: Confirm that all the following parts are included.

Table 2 – Supplied Parts

No.	DESCRIPTION	Qty.	REMARKS
1	Wired Remote Controller	1	n/a
2	Installation and owner's manual	1	n/a
3	Screws	3	M4X20 (for mounting on the wall)
4	Wall plugs	3	For wall mounting
5	Screws	2	M4X25 (for mounting on the wall)
6	Plastic screw bars	2	For fixing on the switch box
7	The connective wires group	1	24AWG

NOTES: Extension wire available through RCD (Replacement Components). Part Number: 17401204001601.

Field Supplied Components: Prepare the following on site.

Table 3 – Field Supplied Components

DESCRIPTION	Qty.	TYPE	REMARKS
Switch Box	1	n/a	n/a
Wiring Tube (insulating sleeve and tightening screw)	1	n/a	n/a

DIMENSIONS

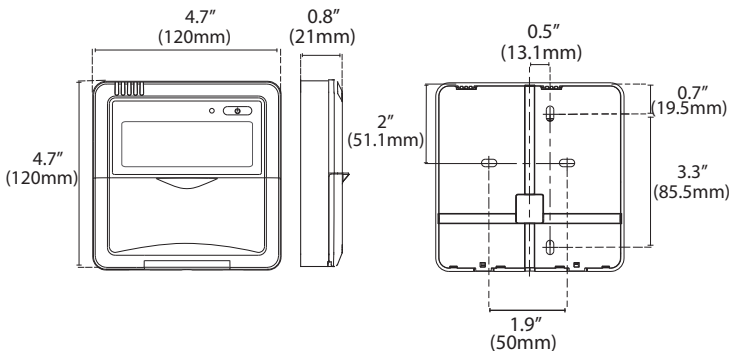


Fig. 1 – Dimensions

CONNECTION DIAGRAM

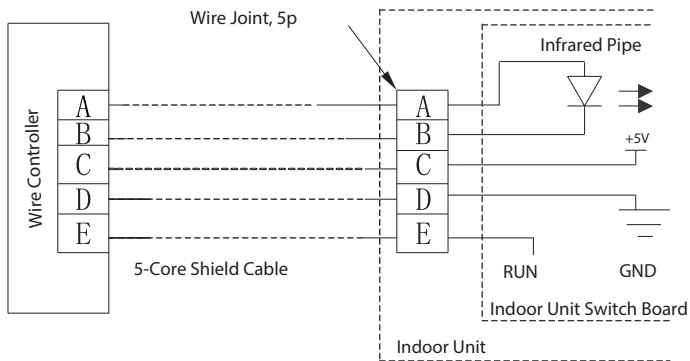


Fig. 2 – Connection Diagram

INSTALLATION

1. Remove the upper part of the wired controller. Insert a screwdriver into the two slots of the lower part of the wired controller, and remove the upper part of the wired controller.

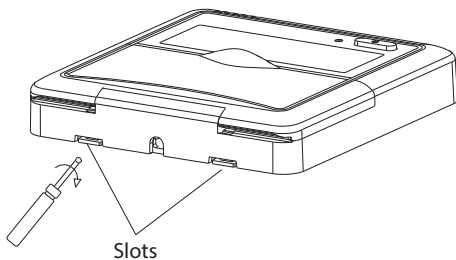


Fig. 3 – Slots



WARNING

The Printed Circuit Board (PCB) is mounted in the upper part of the wired controller. Be careful not to damage the board with the slot screwdriver.

2. Mount the back plate of the wired controller.
 - a. For exposed mounting, fasten the back plate on the wall with 3 screws (M4x20) and plugs.

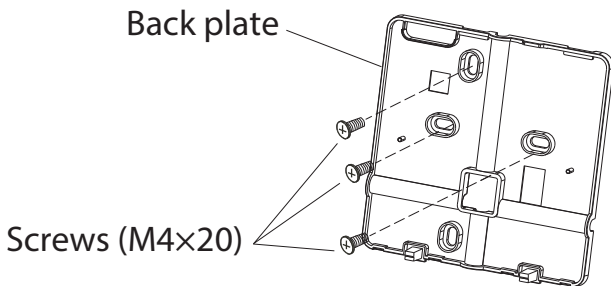


Fig. 4 – Back plate

- b. For flush-mounting, fasten the back plate of the switch box with 2 screws (M4x25) and then fasten it to the wall with 1 screw (M4x20).

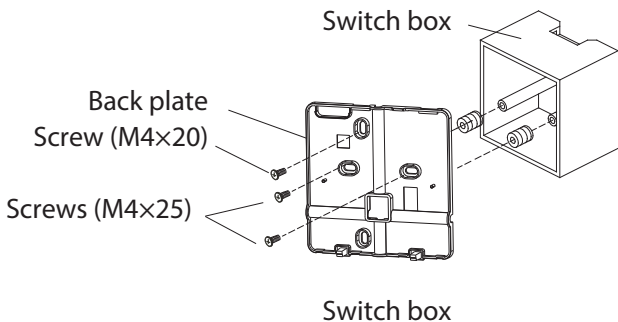


Fig. 5 – Switch box

NOTES: Place on a flat surface. Be careful not to distort the back plate of the wired controller by over tightening the mounting screws.

3. Wiring routing

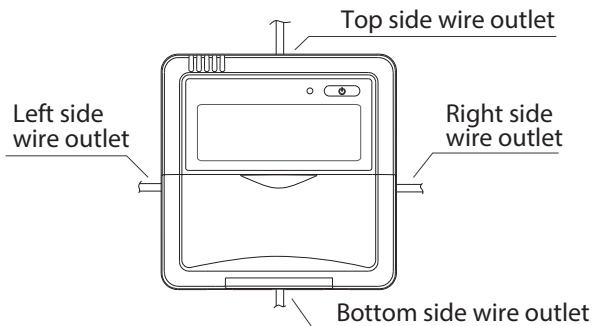


Fig. 6 – Wire outlets

- a. For exposed mounting there are four outlet positions and three require cutting.

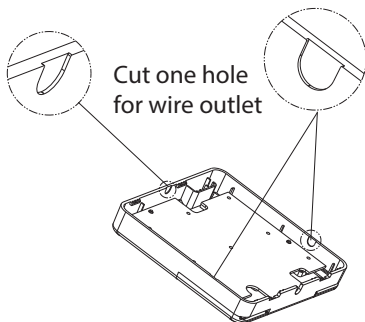
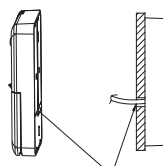
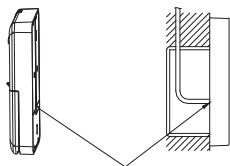


Fig. 7 – Wire outlets

b. For shielded wiring, see Figure 8.

Embedded switch box wiring

Wiring through the wall



Wiring hole

Wall hole and wiring hole
Diameter of wall hole: Φ 2cm

Fig. 8 – Shielded Wiring

NOTES: **DO NOT** allow water to enter the remote control. Use the trap and putty to seal the wires.

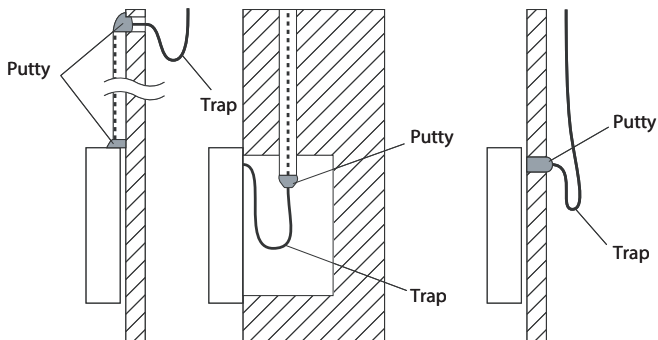


Fig. 9 – Putty and Trap

NOTES: To keep water from entering the wired remote controller, use a trap and putty to seal the wired connectors during the wiring installation. During installation, reserve a certain length of the connecting wire to make removing the wired remote controller easier during maintenance.

4. Wire Connection

Connect the wire from the indoor unit's display panel to a connecting cable. Next, connect the other side of the connecting cable to the remote control.

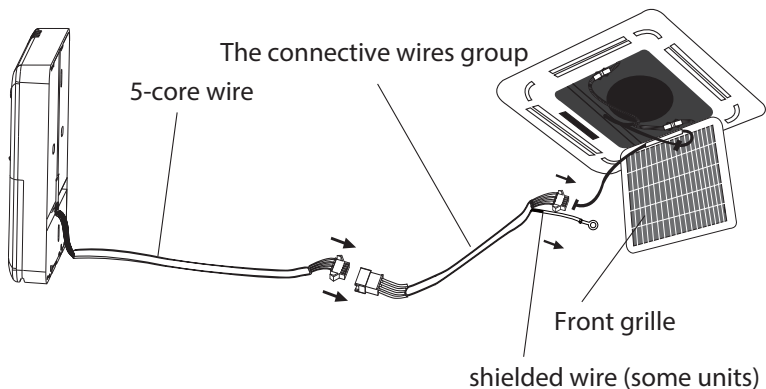


Fig. 10 – Wire Connection

NOTES:

Be sure to reserve a length of the connecting wire for periodic maintenance. If there is a connection lug at the end of shielded wire, the connection lug should be properly grounded.

Figure 10 is for reference on the wire connection. Consult the indoor unit manual for specifics on the connection.

Set the Time and Date

The remote control has a small, built-in battery that allows the time and date to be set. That way the remote control can keep time even during a power outage. When the unit displays an incorrect time and date the batteries need to be replaced.

1. Re-attach the upper part of the wired controller.
2. After adjusting the upper case, buckle the upper case. Avoid clamping the wiring during installation.

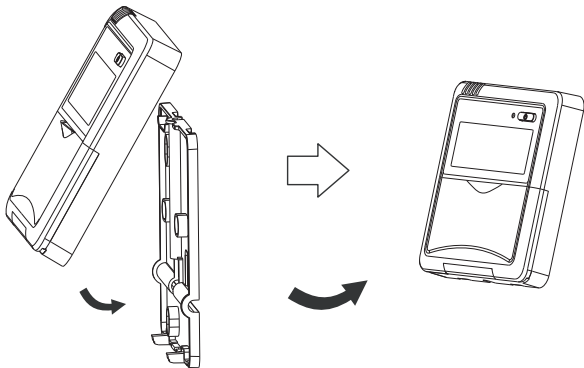


Fig. 11 – Set the Time and Date

NOTES: The images in this manual are for illustration purposes **only**. Your wired controller may differ slightly.

CONSTANT AIR VOLUME TESTING

To set External Static Pressure (some ducted unit models)

- The user can use the unit's automatic airflow adjustment function to set the external static pressure.
 - Automatic airflow adjustment is the volume of blow-off air that has been automatically adjusted to the quantity rated.
1. Ensure the test run is done with a dry coil. If the coil is not dry, run the unit for 2 hours in FAN ONLY mode to dry the coil.
 2. Check that both the power supply wiring and the duct installation have been completed. Ensure all closing dampers are open. Check that the air filter is properly attached to the air suction side passage of the unit.

3. Set the parameters for automatic airflow adjustment. When the air conditioning unit is off, perform the following steps:

- (1.) When the unit is turned on, hold MODE and FAN down together for three seconds. (the “AF” indicator flashes 3 times).
- (2.) Press \triangle or ∇ to select the AF.
- (3.) Press “MODE”. The air conditioning unit will then start the fan for airflow automatic adjustment.

After 6 minutes, the air conditioning unit stops operating once the automatic airflow adjustment is complete.

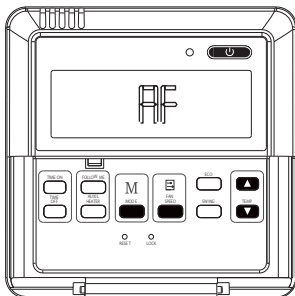


Fig. 12 – Select the AF settings



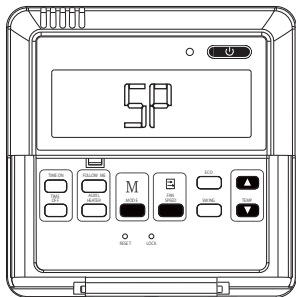
CAUTION

DO NOT adjust the dampers when the automatic airflow adjustment is active.

Using the Wire Controller to set Airflow Rate (some ducted unit models)

When the air conditioning unit is off, perform the following steps:

1. Press MODE and FAN for three seconds.
2. Press \triangle or ∇ to select the SP.
3. Press MODE to set the airflow rate in the range of 0~4.



“0”: No airflow change
“1”~“4”: Airflow increases progressively

Fig. 13 — Set the Airflow Rate

4. Press ON/OFF to complete the airflow setting.

