

Part Numbers P103-FIBER15, P103-FIBER35**SAFETY CONSIDERATIONS**

Installation and servicing of air-conditioning equipment can be hazardous due to system pressure and electrical components. Only trained and qualified service personnel should install, repair, or service air-conditioning equipment.

Untrained personnel can perform basic maintenance functions such as changing bulbs. All other operations should be performed by trained service personnel. When working on air-conditioning equipment, observe precautions in the literature, tags and labels attached to the unit or accessory, and other safety precautions that may apply.

Follow all safety codes. Wear safety glasses and work gloves.

▲ WARNING

Before installing accessory or performing maintenance or service on ultraviolet air purifier, turn off main power switch to unit. Electrical shock can cause injury or death. There may be more than one disconnect switch.

▲ CAUTION

Never expose eyes or skin to ultraviolet light from any source. Air purifier must be off before performing maintenance or service. Personal injury may result.

▲ CAUTION

Do not touch bulb glass without gloves. Reduced performance of bulb may result. Wipe bulb clean after handling.

▲ CAUTION

Bulb contains a small quantity of mercury. If a bulb breaks, clean and dispose of with care.

GENERAL

The accessory Fiberglass Duct Installation Kit is used with the P103-R1500G, P103-3500G air purifiers. The P103-FIBER15 is used in conjunction with the P103-R1500G air purifier. The P103-FIBER35 is used in conjunction with the P103-3500G air purifier. The accessory reinforces the fiberglass ductwork to help support the installation of the air purifier. Refer to the Air Purifier Installation Instructions for information on installing and operating the air purifiers.

PACKAGE CONTENTS P103-FIBER15

QUANTITY	ITEM
2	Metal Brackets (9 ¹ / ₂ -in.)
2	Metal Brackets (5 ³ / ₁₆ -in.)
6	Screws (1 ¹ / ₂ in.)

PACKAGE CONTENTS P103-FIBER35

QUANTITY	ITEM
2	Metal Brackets (12 ¹ / ₂ -in.)
2	Metal Brackets (6 ⁷ / ₁₆ -in.)
8	Screws (1 ¹ / ₂ in.)

INSTALLATION

Perform the following procedure to install the accessory Fiberglass Duct installation kit. The accessory Fiberglass Duct Installation Kit is used to help support weight of the air purifier in a fiberglass duct. The kit is installed in the sides of the ductwork at the air purifier installation location. Refer to the air purifier installation instructions for information on location.

1. Cut a square hole in the side of the ductwork. For accessory kit P103-FIBER15, cut a 8-in. high by 5.25-in. wide hole. See Fig. 1. For accessory kit P103-FIBER35, cut an 11-in. high by 6.5-in. wide hole. See Fig. 2.
2. Push the 2 longer brackets onto the sides of the hole created in Step 1. Insert the fiberglass duct into the channel on the bracket.
3. Push the 2 shorter brackets onto the sides of the hole created in Step 1. Insert the fiberglass duct into the channel on the bracket.

NOTE: There are pre-drilled holes on both sides of the brackets. Make sure the larger holes face outside the duct. The smaller diameter holes should face into the duct.

4. The brackets should form a frame around the hole in the duct. The duct is now ready for installation of the air purifier. Follow all instructions in the air purifier installation instructions.

IMPORTANT: The screws that are supplied with air purifier are too short to use with the fiberglass duct installation kit. Use the screws provided with the accessory to secure the air purifier to the brackets.

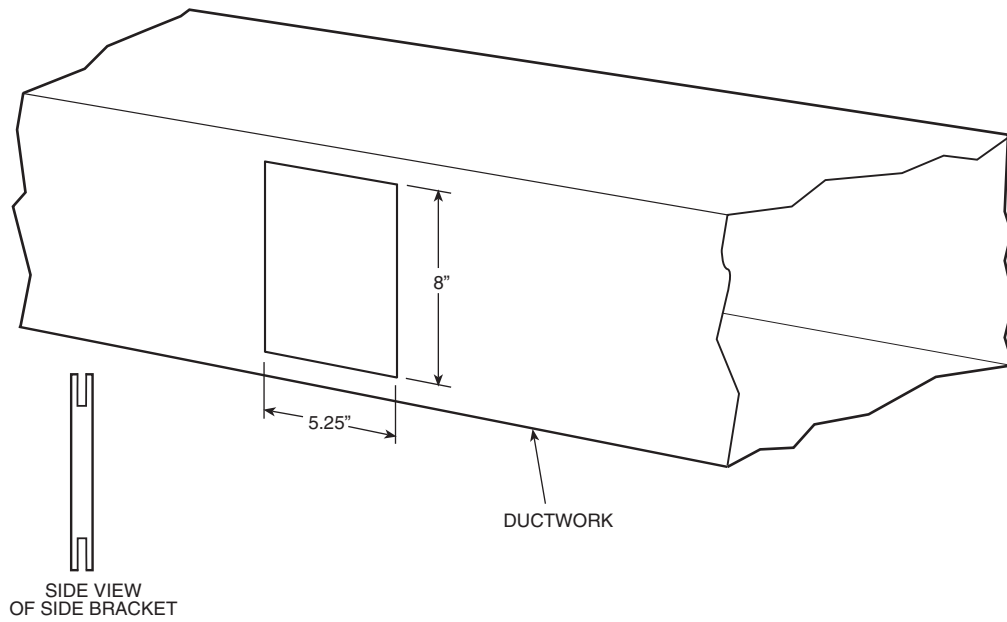


Fig. 1 — Hole in Ductwork (P103-FIBER15)

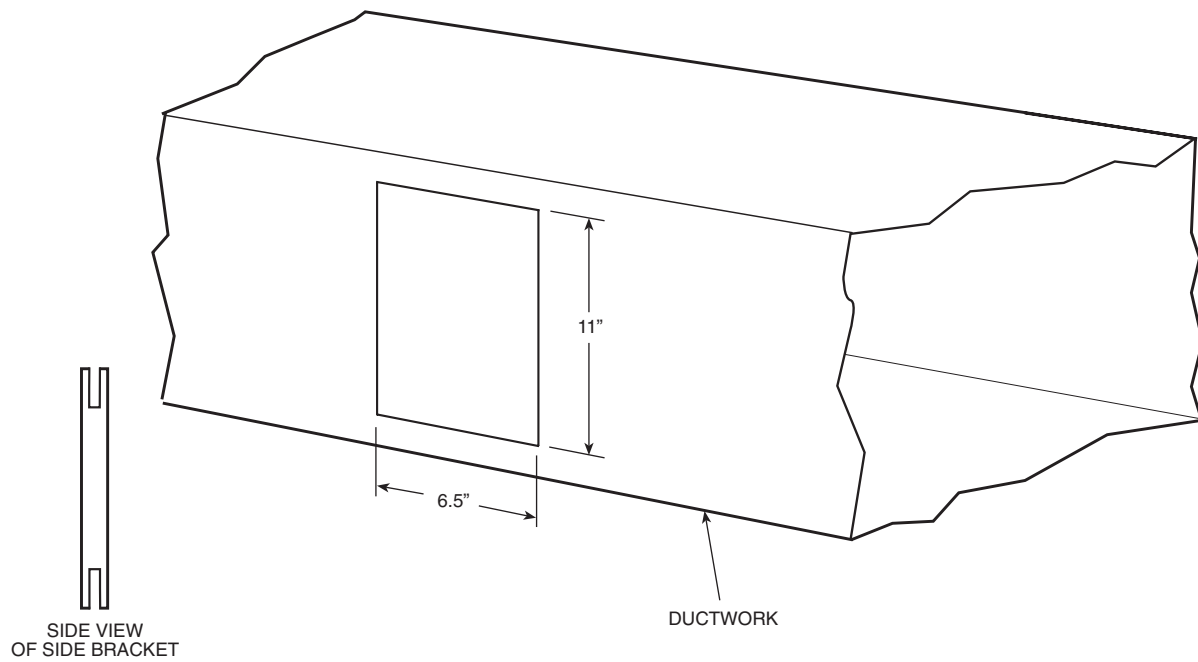


Fig. 2 — Hole In Ductwork (P103-FIBER35)