

GAPAB Air Purifier for Fan Coils Sizes 1620, 2020, and 2420

Installation Instructions Addendum

The GAPAB air purifier has recently been upgraded with new power supply hardware. This addendum replaces the “Wiring” section on pages 4 and 5 of the installation instruction manual for proper installation and operation of the air purifier.

WIRING

- Ensure power has been removed from the heating and cooling system.
- Turn the air purifier power switch off.
- Connect the airflow switch and power cord to the power supply connectors (see Figs. 7 and 8).
- Secure the power cord ground wire to the ground terminal on the cabinet using the screw provided in the ground terminal (see Fig. 8).
- Route the power cord through the nearest cabinet hole and protect with the enclosed cable connector. The screws on the cable connector should be tightened to 9 in-lb. Zip ties have been enclosed (in parts bag attached to power cord) to secure the power cord to the side of the power supply.
- Attach the quick connect terminals to the fused power connector leads (in parts bag) and connect to incoming field power. The terminals are polarity neutral and can be connected in either polarity. Attach the ground ring to fan coil chassis ground (see Fig. 10).

! WARNING

ELECTRICAL SHOCK HAZARD

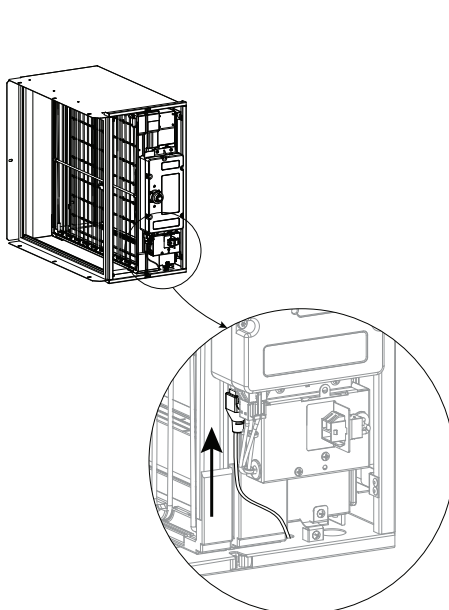
Failure to follow this warning could result in personal injury or death.

Before installing or servicing system, always turn off main power to system. There may be more than one disconnect switch.

! CAUTION

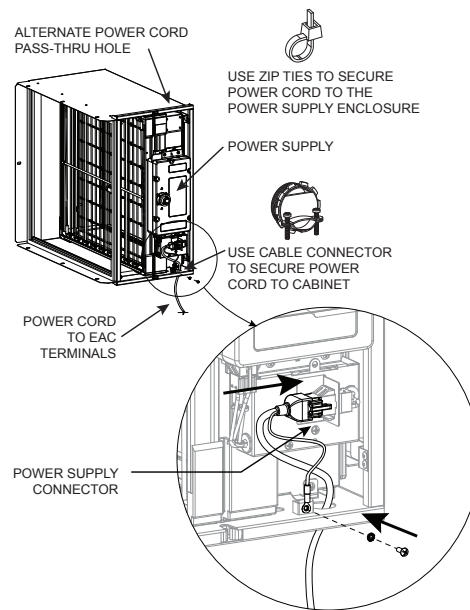
SAFETY HAZARD

Failure to use the flow sensor switch for normal air purifier operation may result in personal injury or equipment damage.



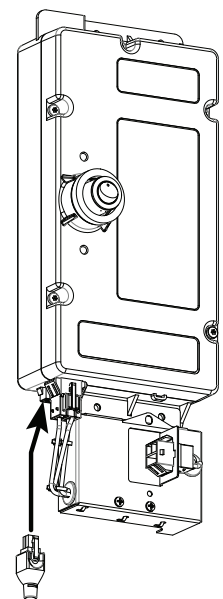
AIRFLOW SWITCH CABLE INSTALLED AND CONNECTED TO THE POWER SUPPLY

Fig. 7 - Airflow Switch Cable Installed



POWER CORD INSTALLED AND GROUND WIRE SECURED TO TERMINAL

Fig. 8 - Power Cord Installed



INSTALLATION OF THE AIRFLOW SWITCH BYPASS PLUG IS FOR TROUBLESHOOTING PURPOSES ONLY AND TO BE USED ONLY BY QUALIFIED SERVICE PERSONNEL

Fig. 9 - Airflow Switch Bypass Plug For Troubleshooting

WIRING (continued)

NOTE: The air purifier is to be powered by 115-230VAC/50-60 Hz input voltage.

NOTE: The air purifier must only be powered when airflow is present. An airflow switch is factory-installed on the air purifier. In order to bypass the airflow switch for troubleshooting, use the special bypass jumper plug include in the parts bag (see Fig. 9). With the jumper plug in place, the air purifier will be on at all times when connected to electrical line power. The bypass jumper plug is not to be used for normal operation and is to be used by qualified service personnel only.

TROUBLESHOOTING

If the air purifier shuts OFF during normal operations:

This condition could be caused by the power supply recognizing that there is something wrong in the air purifier. The power supply detects air purifier electrical faults and shuts off the high voltage for 50 seconds if such a fault is detected. If 4-6 faults have been detected, the power supply will shut OFF and remain OFF. The air purifier will not turn ON until the problem has been corrected by the user and the unit has been reset per the instructions below.

WARNING

ELECTRICAL SHOCK HAZARD

Failure to follow this warning could result in personal injury or death.

Before installing or servicing system, always turn off main power to system. There may be more than one disconnect switch.

TROUBLESHOOTING TABLE (if purifier does not turn on when airflow is present):

POSSIBLE FAULT CAUSE	RECOMMENDED ACTION
ON/OFF power switch turned to OFF	Turn purifier power switch to ON position.
Power to entire system is OFF (fan coil and air purifier)	Check that the HVAC system is switched ON.
Blown fuse or tripped circuit breaker for HVAC system	Replace fuse or reset circuit breaker. Call for service if problem reoccurs.
Misaligned door or damaged purifier door	Insure that the door is undamaged and properly installed on a purifier cabinet. Replace door if damaged, available as a replacement kit.
Excessively dirty Filter Enhancement Module (FEM)	Clean/service air purifier unit.
Excessively dirty filter	Replace filter with only a genuine replacement filter.
Wet Filter Enhancement Module (FEM)	Call service to locate and eliminate the source of water in the air purifier. Verify the air purifier Filter Enhancement Module (FEM) and cabinet are clean and dry.
Wet filter	Call service to locate and eliminate the source of water in the air purifier. Verify the air purifier Filter Enhancement Module (FEM) and cabinet are clean and dry. Replace the filter with only a genuine replacement filter.
Damaged filter	Replace the filter with only a genuine replacement filter.
Damaged Filter Enhancement Module (FEM)	Replace the Filter Enhancement Module (FEM), available as a replacement kit.
Foreign object inside air purifier	Remove foreign object from the air purifier and insure the air purifier is clean and undamaged.
Ions detected in airflow due to missing replaceable filter element	Place filter in air purifier.
Debris is covering airflow sensor	Make sure flow sensor is clean and unobstructed.
Flow sensor, flow sensor wire, or flow sensor connector is damaged	Replace flow sensor component(s), available as a replacement kit .

To reset the air purifier power supply:

Switch power to the OFF position for 10 seconds or more and then switch to the ON position.