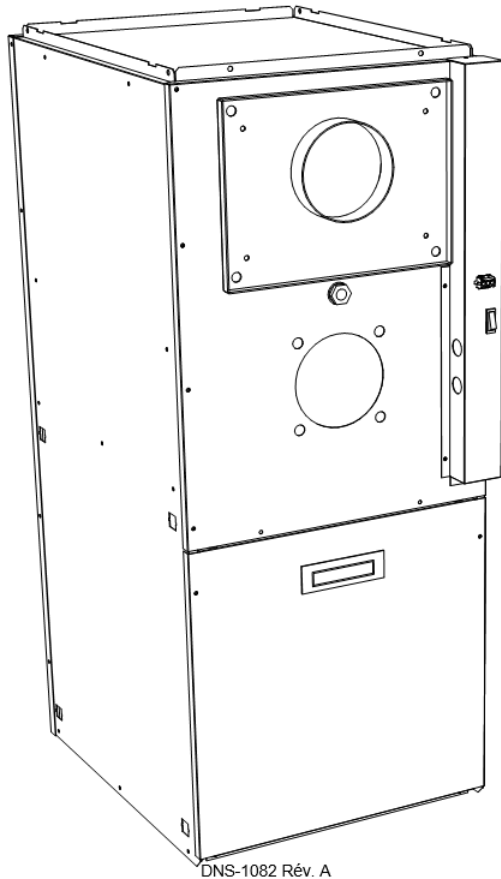


**OBM098**  
**OVM098**

**MULTIPOISE OIL FURNACE**  
**INPUT CAPACITIES 70,000-98,000**

## Installation Instructions

**THIS BOOKLET CONTAINS IMPORTANT INFORMATION**



DNS-1082 Rév. A

**INSTALLER:** Use the information in this booklet to install the appliance and affix this booklet adjacent to the appliance after installation

**USER:** Keep this booklet of information for future reference

**SERVICER:** Use the information in this booklet to service the appliance and affix the booklet adjacent to the appliance after servicing



Use of the AHRI Certified TM Mark indicates a manufacturer's participation in the program. For verification of certification for individual products, go to [www.ahridirectory.org](http://www.ahridirectory.org).

# Table of content

<b>1 SAFETY</b>	<b>3</b>
1.1 SAFETY LABELING AND WARNING SIGNS	3
1.2 IMPORTANT INFORMATION	3
1.3 DETECTION SYSTEMS	3
1.4 DANGER OF FREEZING	3
<b>2 INSTALLATION</b>	<b>3</b>
2.1 POSITIONING THE FURNACE	4
2.1.1 Installation in an enclosure	4
2.2 CONFIGURATIONS	4
2.2.1 Upflow installation	4
2.2.2 Downflow Installation	4
2.2.3 Horizontal Installation	5
2.3 ELECTRICAL SYSTEM	5
2.4 INSTALLATION OF THE THERMOSTAT	5
2.5 INSTALLATION OF THE BURNER	6
2.5.1 Nozzles	6
2.5.2 Air and Turbulator Settings	6
2.5.3 Post purge delay adjustment	6
2.6 VENTING	6
2.6.1 Masonry chimney	6
2.6.2 Factory-built chimneys	6
2.6.3 Draft regulator	6
2.6.4 Side-wall Venting and Mobile Homes / Recreational Vehicules	6
2.7 BLOCKED VENT SHUT-OFF DEVICE (BVSO) FOR CHIMNEY VENTING	7
2.7.1 BVSO Functional Test	7
2.8 COMBUSTION AIR SUPPLY AND VENTILATION	7
2.8.1 Contaminated Combustion Air	7
2.8.2 Burner with Outdoor Combustion Air Kit	7
2.9 OIL TANK	7
2.10 DUCTING	8
2.10.1 Air filter	8
2.11 SUPPLY AIR ADJUSTMENTS (4 SPEED MOTORS)	8
2.12 SUPPLY AIR ADJUSTMENTS (ECM VARIABLE SPEED MOTORS)	8
2.13 INSTALLATION OF ACCESSORIES	9
2.13.1 Humidifier (HUM)	9
2.13.2 Electronic Air Cleaner (EAC)	9
2.13.3 Air Conditioner (or Heat Pump)	9
<b>3 OPERATION</b>	<b>9</b>
3.1 START-UP	9
3.2 OPERATING SEQUENCE OIL HEATING MODE	10
3.3 CHECKS AND ADJUSTMENTS	10
3.3.1 Purging the oil line	10
3.3.2 Pressure adjustment	10
3.3.3 Combustion Check	10
3.3.4 Draft Regulator adjustment	10
3.3.5 Overfire pressure test	10

3.3.6 Vent Temperature Test	10
3.3.7 Supply Air Temperature Rise Test	11
3.3.8 Limit control check	11
3.3.9 Restart after Burner Failure	11

<b>4 MAINTENANCE</b>	<b>11</b>
4.1 CLEANING THE HEAT EXCHANGER	11
4.2 CLEANING THE BLOCKED VENT SHUT-OFF DEVICE (BVSO)	11
4.3 CLEANING THE BURNER HEAD	12
4.4 CHANGING THE NOZZLE	12
4.5 CHANGING THE OIL FILTER	12
4.6 CHANGING THE AIR FILTER	12
<b>5 FURNACE INFORMATION</b>	<b>13</b>
<b>6 TECHNICAL SPECIFICATIONS</b>	<b>14</b>

## List of figures

Figure 1:	Location and dimensions of ventilation air openings in a closet door	4
Figure 2:	Upflow Installation	4
Figure 3:	Downflow Installation	5
Figure 4:	Horizontal Installation	5
Figure 5:	Thermostat wiring, heating and air conditioning with 4-speed motor	5
Figure 6:	Thermostat wiring, heating and air conditioning with ECM variable speed motor	5
Figure 7:	Thermostat wiring, heating and air conditioning/heat pump with ECM variable speed motor	6
Figure 8:	Blower Start/Stop Delays	8
Figure 9:	Furnace Dimensions	17
Figure 10:	Wiring diagram 4-speed motor (PSC)	18
Figure 11:	Wiring diagram variable speed motor (ECM)	19
Figure 12:	Parts list with 4-speed motor (PSC)	20
Figure 13:	Parts list with variable speed motor (ECM)	22

## List of tables

Table 1:	Blower speed adjustments, 4-speed motor	8
Table 2:	Airflow adjustments heating mode_ECM motor	9
Table 3:	Airflow adjustments air conditioning mode_ECM motor	9
Table 4:	Airflow adjustments all modes_ECM motor	9
Table 5:	Delay adjustments all modes_ECM motor	9
Table 6:	Technical specifications	14
Table 7:	Airflow data, models with 1/2HP ECM motor	15
Table 8:	Airflow data, models with 1/3HP PSC motors	16
Table 9:	Minimum clearances from combustible materials	16
Table 10:	Parts list with 4-speed motor PSC	21
Table 11:	Parts list with variable speed motor (ECM)	23

# 1 SAFETY

## 1.1 SAFETY LABELING AND WARNING SIGNS

The words **DANGER**, **WARNING** and **CAUTION** are used to identify the levels of seriousness of certain hazards. It is important that you understand their meaning. You will notice these words in the manual as follows:


 <b>DANGER</b>
<b>Immediate hazards which <u>WILL</u> result in death or serious bodily and/or material damage.</b>

 <b>WARNING</b>
<b>Hazards or unsafe practices which <u>CAN</u> result in death or serious bodily and /or material damage.</b>

<b>CAUTION</b>
Hazards or unsafe practices which <u>CAN</u> result in minor bodily and /or material damage.

## 1.2 IMPORTANT INFORMATION

 <b>WARNING</b>
<b>Non-observance of the safety regulations outlined in this manual will potentially lead to consequences resulting in death, serious bodily injury and/or property damage.</b>

 <b>WARNING</b>
<b>Installation and repairs performed by unqualified persons can result in hazards to them and to others. Installations must conform to local codes or, in the absence of such codes, to codes of the country having jurisdiction. The information contained in this manual is intended for use by a qualified technician, familiar with safety procedures and who is equipped with the proper tools and test instruments. Failure to carefully read and follow all instructions in this manual can result in death, bodily injury and/or property damage.</b>

- a) It is the homeowner's responsibility to engage a qualified technician for the installation and subsequent servicing of this furnace;
- b) Do not use this furnace if any part of it was under water. Call a qualified service technician immediately to assess the damage and to replace all critical parts that were in contact with water;
- c) Do not store gasoline or any other flammable substances, such as paper or carton, near the furnace;

- d) Do not stack items or boxing within the required clearances to combustible materials specified in Table 9;
- e) This furnace is designed for use with #1 or #2 heating oil only. The use of gasoline, motor oil or any other oil containing gasoline is prohibited;
- f) Never block or otherwise obstruct the filter and/or return air openings;
- g) Ask the technician installing your furnace to show and explain to you the following items:
  - i. The main disconnect switch or circuit breaker;
  - ii. The shut off valve on the oil tank
  - iii. The oil filter and how to change it (it must be changed once a year);
  - iv. The air filter and how to change it (check monthly and clean or replace if necessary);
- h) Before calling for service, be sure to have the information of section 5 of your manual close by in order to be able to provide the contractor with the required information, such as the model and serial numbers of the furnace.

## 1.3 DETECTION SYSTEMS

It is recommended that carbon monoxide detectors be installed wherever oil or gas fired heaters are used. Carbon monoxide can cause bodily harm or death. For this reason, agency approved carbon monoxide detectors should be installed in your residence and properly maintained to warn of dangerously high carbon monoxide levels. There are several sources of possible smoke and flames in a residence. Smoke and flames can cause bodily harm or death. For this reason, agency approved smoke detectors should be installed in your residence and properly maintained, to warn early on, of a potentially dangerous fire. Also, the house should be equipped with approved and properly maintained fire extinguishers. Your unit is equipped with safety devices that can prevent it from functioning when anomalies are detected such as a blocked venting system.

## 1.4 DANGER OF FREEZING

<b>CAUTION</b>
If your furnace is shut down during the cold weather season, water pipes may freeze, burst and cause serious water damage. Turn off the water supply and bleed the pipes.

If the heater is left unattended during the cold weather season, take the following precautions:

- a) Close the main water valve in the house and purge the pipes if possible. Open all the faucets in the house;
- b) Ask someone to frequently check the house during the cold weather season to make sure that there is sufficient heat to prevent the pipes from freezing. Tell this person to call an emergency number if required.

# 2 INSTALLATION

This furnace is a true multi-position unit, in that it will function in an upflow, downflow or horizontal configuration to the left or the right. Only a few modifications are required during installation to change from one position to another. The unit is shipped in the upflow configuration and instructions as to how to change to the other positions are included in this manual.

The unit is shipped with a burner and its controls. It requires a 115VAC power supply to the control panel and thermostat hook-up as shown on the wiring diagram, one or more oil line connections, suitable ductwork and connection to a properly sized vent.

All local and national code requirements governing the installation of oil burning equipment, wiring and the flue connection MUST be followed. Some of the codes that may apply are:

- CSA B139:** Installation code for oil burning equipment;
- ANSI/NFPA 31:** Installation of oil burning equipment;
- ANSI/NFPA 90B:** Warm air heating and air conditioning systems;
- ANSI/NFPA 211:** Chimneys, Fireplaces, Vents and solid fuel burning appliances;
- ANSI/NFPA 70:** National Electrical Code;
- CSA C22.1 :** Canadian Electrical Code;

or **CSA C22.10**

Only the latest issues of these codes shall be used.

## 2.1 POSITIONING THE FURNACE

### **! WARNING**

#### **FIRE AND EXPLOSION HAZARD**

The furnace must be installed in a level position, never where it will slope toward the front.

Do not store or use gasoline or any other flammable substances near the furnace.

Non-observance of these instructions will potentially result in death, bodily injury and/or property damage.

### **CAUTION**

This furnace is not watertight and is not designed for outdoor installation. It must be installed in such a manner as to protect its electrical components from water. Outdoor installation will lead to a hazardous electrical condition and to premature failure of the equipment.

The minimum clearances from combustible material for each of the positions are specified in Table 9.

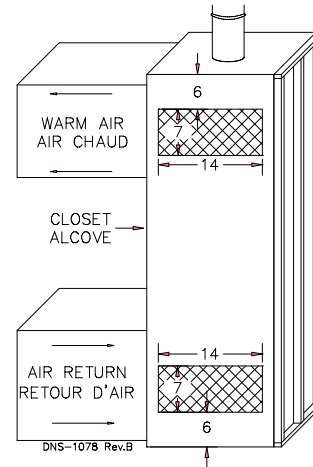
If the furnace is installed in a basement or on a dirt floor, in a crawl space for example, it is recommended to install the unit on a cement base 2.5 cm to 5.0 cm (1" to 2") thick.

The unit must be installed in an area where the ambient and return air temperatures are above 15°C (60°F). In addition, the furnace should be installed as closely as possible to the vent, so that the connections are direct and kept to a minimum. The heater should also be located close to the centre of the air distribution system.

### 2.1.1 Installation in an enclosure

The unit can be installed in an enclosure such as a closet. However, two ventilation openings are required for combustion air. The openings should be located in front of the furnace approximately 15 cm (6") above the floor and 15 cm (6") below the ceiling. Figure 1 indicates the minimum dimensions required and the location of the openings.

**Figure 1 – Location and dimensions of ventilation air openings in a closet door**

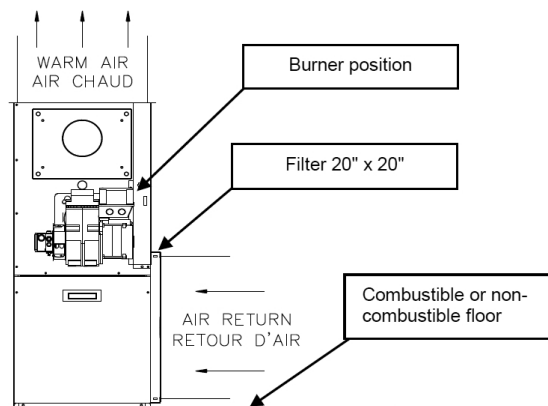


## 2.2 CONFIGURATIONS

### 2.2.1 Upflow installation

The return air opening may be located on either side of the furnace. Care should be taken not to damage the wires inside, while cutting the opening. Install the filter rack supplied with the unit according to the instructions provided with it. It is also recommended to install the blower door before handling or moving the unit. Refer to Figure 2 for additional details.

**Figure 2 – Upflow Installation**



### 2.2.2 Downflow Installation

When the furnace is installed in the downflow position on a combustible floor, the clearances from combustibles must be adhered to. The downflow base DFB-102 or KLASB0801DET can be used to ensure these clearances. Refer to Figure 3 and the installation instructions provided with the base.

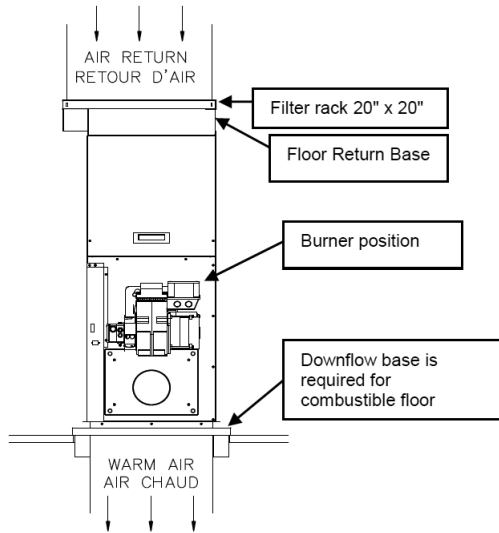
In cases where the return air enters through the floor, the floor return base FRB-101 or KLARB0101DET must be used.

The burner must always be installed in the same manner, regardless of the discharge position of the furnace. Refer to Figure 3 for additional details.

The protection plate (B03789) must be installed on the plastic cover of the Beckett NX burner to protect it from vent. ONLY the

AMP098 in downflow position requires the protection plate.

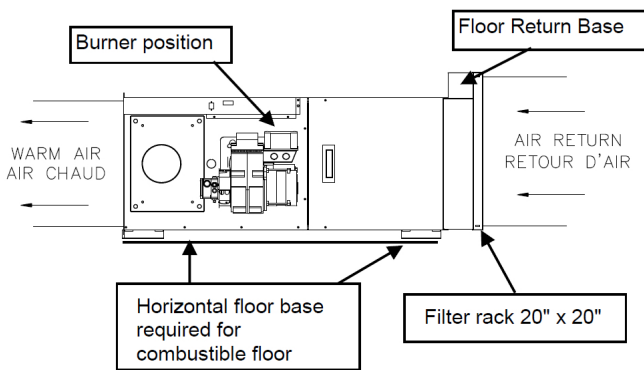
**Figure 3 – Downflow Installation**



**2.2.3 Horizontal Installation**

When the furnace is installed in the horizontal position, either suspended or on a combustible floor with a choice of right or left discharge, the clearances from combustible material must be adhered to. If the unit is installed on a combustible floor, the horizontal floor base HFB-101 or KLASB0701DET can be used to ensure these clearances. Refer to the instructions supplied with the base. In cases where the return air enters through the floor, the floor return base FRB-101 or KLASB0701DET can be installed as per the supplied instructions. The burner must always be installed in the same manner, regardless of the discharge position of the furnace. Refer to Figure 4 for additional details.

**Figure 4 – Horizontal Installation**



**2.3 ELECTRICAL SYSTEM**

**CAUTION**

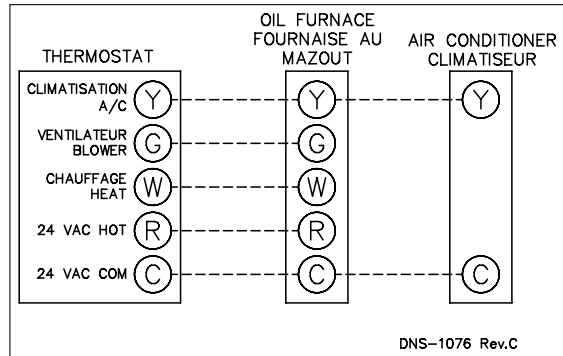
The exterior of the unit must have an uninterrupted ground to minimize the risk of bodily harm, if ever an electrical problem develops. A green ground screw is supplied with the control box for that purpose.

The appliance must be installed in accordance with the current ANSI/NFPA 70 National Electrical Code, CSA C22.1 Canadian Electrical Code Part 1 and/or local codes. The control system depends on the correct polarity of the power supply. Connect "HOT" wire (H) and "NEUTRAL" wire (N) as shown in figures 10 and 11. A separate line voltage supply should be used, with fused disconnect switch or circuit breaker, between the main power panel and the unit. Only copper wire may be used for the 115V circuit on this unit. If wires need to be changed, the replacements must have the same temperature resistance as the originals.

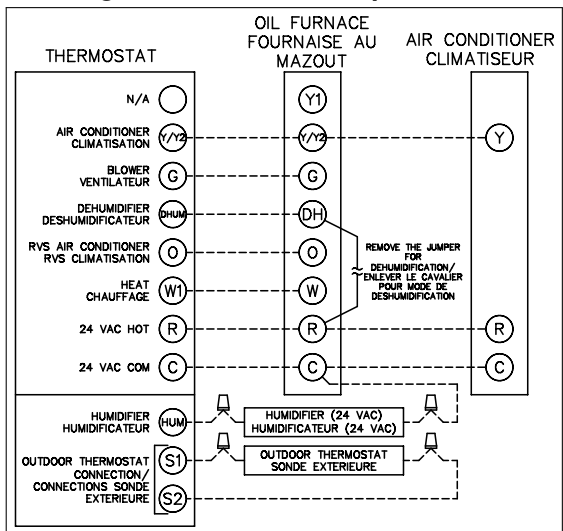
**2.4 INSTALLATION OF THE THERMOSTAT**

A thermostat must be installed to control the temperature of the area to be heated. Follow the instructions supplied with the thermostat. Also refer to the wiring diagrams provided with the heating/air conditioning unit. The connections must be made as indicated on the following diagrams and the wiring diagrams, Figure 10 and Figure 11.

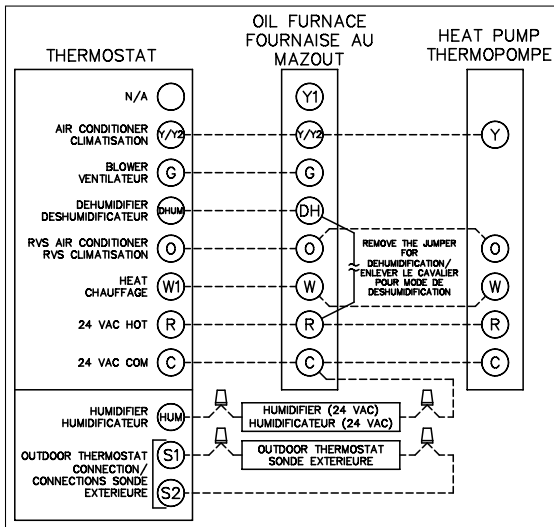
**Figure 5 – Thermostat wiring, heating and air conditioning with 4-speed motor**



**Figure 6 – Thermostat wiring, heating and air conditioning with ECM variable speed motor**



**Figure 7 – Thermostat wiring, heating and air conditioning/heat pump with ECM variable speed motor**



**Note:** On units with 2-stage cooling or heat pump, terminal Y1 must be used. When Y1 on the electronic control receives a 24 VAC signal, the airflow is reduced by 20%. Do not use terminal Y1 with a single stage cooling or heat pump.

## 2.5 INSTALLATION OF THE BURNER

Refer to the burner manufacturer's instructions. Also, the burner must be installed always in the same way independently of the furnace orientation.

1. Position the mounting gasket between the mounting flange and the burner mounting plate. Align the holes in the burner mounting plate with the studs on the mounting flange and bolt securely in place.
2. Remove the burner drawer assembly or the air tube assembly;
3. Install the nozzle (refer to Technical Specifications in Table 6);
4. Check the electrode settings;
5. Make the electrical connections;
6. Complete oil line connections.

### 2.5.1 Nozzles

The burner comes equipped with an appropriate nozzle. However, if another size or a replacement nozzle is required, use the manufacturer's recommended spray angle and type as shown in Table 6 and based on a pump pressure of 100 psi. Always select nozzle sizes by working back from the desired flow rate at operating pressure and not the nozzle marking.

### 2.5.2 Air and Turbulator Settings

Before starting the burner for the first time, adjust the air and turbulator settings to those listed in this manual (Table 6). Once the burner becomes operational, final adjustments will be required. Refer to the section 3 of this manual.

### 2.5.3 Post purge delay adjustment

The post purge delay on the oil-fired burners is factory set to zero second. This delay is applicable for all installations with chimney venting. For heating units installed with side wall venting and a burner equipped with this feature, the post purge delay must be set to 15 seconds. No delay is required for Riello burners. Refer to the burner control instruction manual and markings for proper adjustment of the post purge delay.

## 2.6 VENTING

**WARNING**

**POISONOUS CARBON MONOXIDE GAS, FIRE AND EXPLOSION HAZARD.**  
**Read and follow all instructions in this section.**  
**Never install a hand operated damper in the vent pipe.**  
**However, any Underwriters Laboratories listed, electrically operated automatic type vent damper may be installed if desired. Be sure to follow the instructions provided with vent damper. Also, read and follow all instructions in this section of the manual.**  
**Failure to properly vent this furnace or other appliances can result in death, bodily injury and/or property damage.**

To ensure the safe and proper functioning of an oil furnace, it must always be connected to a flue with sufficient draft or to an approved side-wall venting system. In addition, it is strongly recommended to perform a complete inspection of all the existing venting systems.

### 2.6.1 Masonry chimney

This furnace can be vented into an existing masonry chimney. However, the unit must not be vented into a chimney into which a solid fuel burning furnace is already being vented. Before venting this furnace into a chimney, its condition must be checked and repairs made, if necessary. Also, the chimney lining and dimensions must conform to local and national codes.

### 2.6.2 Factory-built chimneys

Oil fired furnaces are approved for use with "L" type vents. The unit may also be used with an approved chimney of proper dimensions and temperature ratings as specified in the installation code. Refer to chimney manufacturer's instructions for proper installation.

### 2.6.3 Draft regulator

It is recommended that a draft regulator be installed in cases where the draft is either high or variable due to external conditions. Follow the instructions provided with the regulator.

### 2.6.4 Side-wall Venting and Mobile Homes / Recreational Vehicles

The heating unit is approved for side-wall venting. This system is comprised of a model VTK-54 / VTK-098 / KLAVT0101DET side-wall venter and a 4" insulated vent pipe, model IFV-410 / IFV098-10 / KLAFOV0101DET, IFV-420 / IFV098-20 / KLAFOV0201DET. Refer to the installation instructions provided with the venting system. Side-wall venting is required for mobile home and recreational vehicles

applications. For such applications, combustion air shall not be drawn from occupied spaces.

When the furnace is installed in a movable mobile home or in a recreational vehicle, it shall be fixed on the floor or on the wall by means of steel angles screwed at the bottom of each side of the furnace and the floor (or the wall). When moving, the furnace and the burner shall be shut down and oil line valve closed.

## 2.7 BLOCKED VENT SHUT-OFF DEVICE (BVSO) FOR CHIMNEY VENTING

### CAUTION

It is imperative that this device be installed by a qualified service technician.

A positive pressure venting system (Sealed Combustion System or Direct Vent) **MUST NOT** use the BVSO. Follow the instructions supplied with the venting system.

This device is designed to detect the insufficient evacuation of combustion gases in the event of a vent blockage. In such a case the thermal switch will shut down the oil burner. The device will then need to be re-armed MANUALLY.

Refer to the detailed instructions and wiring diagrams supplied with the BVSO for the installation and wiring procedures. The length of wires supplied with the unit is such that the safety device must be installed between the flue outlet of the appliance and the draft regulator, as indicated in the instructions.

It is also essential that the BVSO be maintained annually. For more details refer to the instructions supplied with the device itself, as well as in section 4 of this Manual.

### 2.7.1 BVSO Functional Test

The purpose of the following test is only to check that the electrical outlet on the furnace, designated to the BVSO, is functional.

1. Start up the burner;
2. Remove the three-pole plug from the BVSO outlet on the furnace;
3. The burner must shut-off immediately, while the blower continues to run to the end of the cool-down cycle.

If the test is not in line with the above, call a QUALIFIED SERVICE TECHNICIAN.

## 2.8 COMBUSTION AIR SUPPLY AND VENTILATION

### ! WARNING

**POISONOUS CARBON MONOXIDE GAS HAZARD.**  
Comply with NFPA 31 (U.S.) and CSA B139 (Canada) standards for the installation of Oil Burning Equipment and applicable provisions of local building codes to provide combustion and ventilation air.

**Failure to provide adequate combustion and ventilation air can result in death, bodily injury and/or property damage.**

Oil furnaces must have an adequate supply of combustion air. It is common practice to assume that older homes have sufficient infiltration

to accommodate the combustion air requirement for the furnace. However, home improvements such as new windows, doors, and weather stripping have drastically reduced the volume of air infiltration into the home.

Refer to oil furnace installation codes relative to combustion and ventilation air requirements. Consult Section 2.1.1 in this manual, specifically for units installed in an enclosed space.

Home air exhausters are common. Bathroom and kitchen fans, power vented clothes dryers and water heaters all tend to create a negative pressure condition in the home. Should this occur the chimney becomes less and less effective and can easily downdraft. In certain cases, mechanically supplied air, by way of a blower, interlocked with the unit, is necessary. It is the installer's responsibility to check that.

### 2.8.1 Contaminated Combustion Air

Installations in certain areas or types of structures will increase the exposure to chemicals or halogens that may harm the furnace. These conditions will require that only outside air be used for combustion.

The following areas or types of structures may contain or be exposed to certain substances, potentially requiring outside air for combustion:

1. Commercial buildings;
2. Buildings with indoor pools;
3. Furnaces installed near chemical storage areas.

Exposure to the following substances:

- a) Permanent wave chemicals for hair;
- b) Chlorinated waxes and cleaners;
- c) Chlorine based swimming pool chemicals;
- d) Water softening chemicals;
- e) De-icing salts or chemicals;
- f) Carbon Tetrachloride;
- g) Halogen type refrigerants;
- h) Cleaning solvents (such as perchloroethylene);
- i) Printing inks, paint removers, varnishes, etc. ;
- j) Hydrochloric acid;
- k) Solvent based glue;
- l) Antistatic fabric softeners for clothes dryers;
- m) Acid based masonry cleaning materials.

### 2.8.2 Burner with Outdoor Combustion Air Kit

Certain burners are designed to function with combustion air taken directly from the outside. Follow the instructions provided with the burner, the fresh-air supply kit or the side-wall venting kit.

## 2.9 OIL TANK

### ! WARNING

**FIRE AND EXPLOSION HAZARD.**

**Use only approved heating type oil in this furnace. DO NOT USE waste oil, used motor oil, gasoline or kerosene.**

**Use of these will result in death, bodily injury and/or property damage.**

### CAUTION

When a 0.75 USGPH or smaller nozzle is used, a 10 micron or finer filter, must be installed on the oil supply line to the furnace inside the building where the unit is located.

This is a requirement in order for the heat exchanger warranty to remain in force.

Check your local codes for the installation of the oil tank and accessories.

At the beginning of each heating season or once a year, check the complete oil distribution system for leaks.

Ensure that the tank is full of clean oil. Use No.1 or No.2 Heating Oil (ASTM D396 U.S.) or in Canada, use No.1 or No.2 Furnace Oil.

A manual shut-off valve and an oil filter shall be installed in sequence from tank to burner. Be sure that the oil line is clean before connecting to the burner. The oil line should be protected to eliminate any possible damage. Installations where the oil tank is below the burner level must employ a two-pipe fuel supply system with an appropriate fuel pump. A rise of 2.4 m (8') and more requires a two stage pump and a rise greater than 4.9 m (16') an auxiliary pump. Follow the pump instructions to determine the size of pipe needed in relation to the rise or to the horizontal distance.

## 2.10 DUCTING

### WARNING

**POISONOUS CARBON MONOXIDE GAS HAZARD.**  
**DO NOT draw return air from inside a closet or utility room.**  
**Return air MUST be sealed to the furnace casing.**  
**Failure to properly seal ducts can result in death, bodily injury and/or property damage.**

The ducting must be designed and installed according to approved methods, local and national codes as well as good trade practices.

When ducting supplies air to a space other than where the furnace is located, the return air must be sealed and also be directed to the space other than where the furnace is located.

### 2.10.1 Air filter

A properly sized air filter must be installed on the return air side of the unit. Refer to the Technical Specifications in Table 6, for the correct dimensions. Also refer to Section 2.2 and the instructions supplied with the filter.

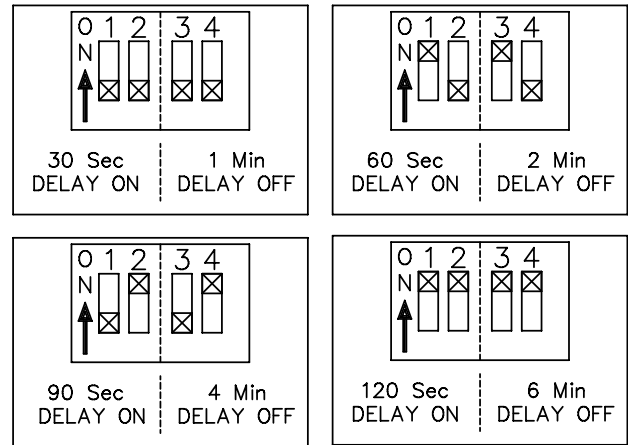
## 2.11 SUPPLY AIR ADJUSTMENTS (4 SPEED MOTORS)

On units equipped with 4-speed blower motors, the supply air must be adjusted based on heating/air conditioning output and the static pressure of the duct system. For the desired air flow refer to Table 1 as well as the table 8 based on static pressure in the Technical Specifications section of this manual.

To effect the adjustment, the RED (for heating) and BLUE (for cooling and heat pump) wires can be changed on the motor. Also, refer to the position of the wires on the electronic board of the unit and consult the wiring diagrams. If the heating and air conditioning speeds are the same, the RED wire must be moved to "UNUSED LEADS" on the electronic board and the jumper provided with the BLUE wire must be used between the "HEAT" and "COOL" terminals.

The blower start/stop delays can be adjusted by positioning the DIP switches on the electronic board as shown in the following figures. For upflow installation, the recommended blower ON delay is 60 seconds and blower OFF delay 2 minutes.

**Figure 8 – Blower Start/Stop Delays**  
**Carte#1158 Board**



DNS-1080 Rev. A

**Table 1 – Blower speed adjustments, 4-speed motor**

FURNACE APPLICATION	HEATING OR A/C OUTPUT	RECOMMENDED BLOWER SPEED
HEATING	0.50 USGPH	MED-LOW
	0.60 USGPH	MED-HIGH
	0.70 USGPH	HIGH
A/C	2.0 TONS	MED-LOW
	2.5 TONS	MED-HIGH
	3.0 TONS	HIGH

## 2.12 SUPPLY AIR ADJUSTMENTS (ECM VARIABLE SPEED MOTORS)

On units equipped with ECM variable speed blower motors, the air supply must be adjusted based on heating/air conditioning output. The

start/stop delays of the blower must also be adjusted by positioning the DIP switches on the electronic board.

Refer to the tables 2 to 5 on page 9, and the figure 11 for the proper settings.



**Table 2 – Airflow adjustments heating mode\_ECM motor**

SW1-HEAT DIP Switch Positions			INPUT USGPH
1	2	POSITION	
OFF	OFF	A	0.70
ON	OFF	B	0.60
OFF	ON	C	0.50
ON	ON	D	ALL

**Table 3 – Airflow adjustments air conditioning mode\_ECM motor**

SW2-COOL DIP Switch Positions			INPUT USGPH
1	2	POSITION	
OFF	OFF	A	3.0
ON	OFF	B	2.5
OFF	ON	C	2.0
ON	ON	D	1.5

**Table 4 – Airflow adjustments all modes\_ECM motor**

SW3-ADJ (Adjustment) DIP Switch Positions			CFM HTG. % Increase or decrease	CFM A/C. % Increase or decrease
1	2	POSITION		
OFF	OFF	A	0%	0%
ON	OFF	B	10%	10%
OFF	ON	C	-10%	-10%
ON	ON	D	N/A	0%

**Table 5 – Delay adjustments all modes\_ECM motor**

SW4-Delay DIP Switch Positions			INPUT USGPH
1	2	POSITION	
OFF	OFF	A	0.70
ON	OFF	B	0.60
OFF	ON	C	0.50
ON	ON	D	ALL

## 2.13 INSTALLATION OF ACCESSORIES

**⚠ WARNING**

**ELECTRICAL SHOCK HAZARD.**  
Turn OFF electrical power at the fuse box or service panel before making any electrical connections and ensure a proper ground connection is made before connecting line voltage. Failure to do so can result in death or bodily injury.

### 2.13.1 Humidifier (HUM)

The electronic board supplies 120 VAC for a humidifier on the HUM terminal. It supplies 120 VAC electric power when the burner is in operation.

A 24 VAC signal can also be supplied from the W and C terminals on the blower electronic board to activate a switching relay. Also refer to the instructions supplied with the accessory.

### 2.13.2 Electronic Air Cleaner (EAC)

The EAC terminal on the electronic board supplies 120 VAC when the blower is operating in the heating or air conditioning mode. This signal can be used to activate an electronic air cleaner that is not equipped with an air flow switch. If the cleaner is equipped with an air flow switch, the S terminal on the PSC electronic board or one of the 120 VAC terminals on the ECM electronic board can be used to provide a constant supply of 120 VAC.

Also refer to the instructions supplied with the accessory.

### 2.13.3 Air Conditioner (or Heat Pump)

An air conditioning coil may be installed on the supply air side ONLY.

**⚠ WARNING**

**POISONOUS CARBON MONOXIDE GAS HAZARD.**  
Install the evaporator coil on the supply side of the furnace ducting ONLY.  
An evaporator coil installed on the return air side of the ducting can cause condensation to form inside the heat exchanger, resulting in heat exchanger failure. This in turn, can result in death, bodily injury and/or property damage.

A clearance of 15 cm (6") is required between the bottom of the coil drain pan and the top of the heat exchanger. If a heat pump is installed, a "dual-energy" thermostat, or other control is required, in order to prevent the simultaneous operation of the furnace and the heat pump. It also prevents a direct transition from heating by way of the heat pump to heating with oil. Refer to the thermostat instructions or those of another control used for the proper wiring.

If a coil blower compartment is used, install air tight, motorized and automatic air dampers. Cold air coming from the coil and passing across the furnace can cause condensation and shorten the life of the heat exchanger.

## 3 OPERATION

### 3.1 START-UP

**CAUTION**

DO NOT START THE BURNER UNLESS THE BLOWER ACCESS DOOR IS SECURED IN PLACE.

Before starting up the unit, be sure to check that the following

items are in compliance:

- 1) The electrical installation, the oil supply system, the venting system, combustion air supply and ventilation;
- 2) The blower access door is in place and the blower rail locking screws are well tightened;
- 3) The Blocked Vent Shut-Off (BVSO) is installed according to instructions (for chimney venting);
- 4) The oil supply valve is open;
- 5) The burner "Reset" button is well pushed in or re-armed;
- 6) The preliminary air adjustments on the burner comply with the technical specifications in this manual;
- 7) The blower speed adjustments for heating and air conditioning are appropriate and according to the specifications in this manual;
- 8) The blower start/stop delays are satisfactory;
- 9) The thermostat of the room is in the heating mode and is set higher than the ambient temperature.

To start the unit, turn the main electrical switch on.

## 3.2 OPERATING SEQUENCE OIL HEATING MODE

- 1) The W-R contact closes;
- 2) The burner motor starts up to pre-purge the combustion chamber for a period of 10 to 15 seconds. During that time a spark is established on the electrodes;
- 3) The solenoid valve opens and a flame is established. Shortly after, the electrodes cease to spark;
- 4) Then the blower runs up to full speed. The delay depends on the adjustments that were made on the electronic board, which controls the blower motor. Refer to Sections 2.11 and 2.12 above as well as to the airflow tables 7 and 8 for more details.
- 5) When the call for heat is satisfied, the solenoid valve closes, the flame goes out and the burner motor stops (after post purge delay, if applicable).
- 6) The blower stops shortly after the burner. The delay depends on the adjustments that were made on the electronic board that controls the blower. Refer to Sections 2.11 and 2.12 above as well as to the airflow table 7 and 8 for more details.

**Note:** A detailed operating sequence of the oil burner is outlined in the instructions provided with the burner.

## 3.3 CHECKS AND ADJUSTMENTS

### 3.3.1 Purging the oil line

Open the bleed port screw and start the burner. Allow the oil to drain into a container for at least 10 seconds. The oil should flow absolutely free of white streaks or air bubbles to indicate that no air is being drawn into the suction side of the oil piping and pump. Slowly close and tighten the bleed screw. Once closed, the flame will light up.

### 3.3.2 Pressure adjustment

The oil pressure must be adjusted according to the Technical Specifications of this manual. An adjustment screw and a connection for a pressure gauge are located on the oil pump for that purpose. Also refer to the burner instruction manual.

## 3.3.3 Combustion Check

### IMPORTANT

The heat exchanger metal surfaces may have oil and the baffle insulation also contains binders. These products will burn or evaporate when the unit operates for the first time. Because of this, the smoke reading may be inexact during the first minutes of operation. Therefore, the unit must operate during at least 60 minutes before taking any readings to adjust the combustion quality. Let the unit cool down before making any adjustments.

### IMPORTANT

The combustion check verification **MUST** be performed after the nozzle replacement or the burner cleaning. After these manipulations, the combustion parameters are necessarily modified. Refer also to the burner instruction manual.

1. Drill a test hole in the flue pipe, approximately 18 inches from the furnace breach. Insert the smoke test probe into the hole. For installation using a sidewall venting, use the orifice provided on the breach plate;
2. From a cold start, let the unit operate for about 5 minutes;
3. Set the burner air setting until you have between 0 and 1 on the Bacharach Scale (or a "trace");
4. Take a CO<sub>2</sub> sample at the same test location where the #1 smoke reading was taken and make note of it. Example: 13.8% of CO<sub>2</sub> or 2.5% of O<sub>2</sub>;
5. the burner air setting to obtain a CO<sub>2</sub> reading 1.5% lower (or a O<sub>2</sub> reading 2.0% higher) than the reading associated with the "trace" of smoke. Example: 12.3% of CO<sub>2</sub> or 4.5% of O<sub>2</sub>;
6. This method of adjusting the burner will result in clean combustion (Bacharach smoke scale between 0 and a trace) and ensure the proper functioning of the system. The optimum CO<sub>2</sub> level is around 12% to 13% (or 3.5% to 5.0% of O<sub>2</sub>).

## 3.3.4 Draft Regulator adjustment

On chimney installations only, a barometric draft regulator (supplied with the furnace) must be installed, in order to ensure proper draft through the furnace. The barometric damper must be mounted with the hinge pins in a horizontal position and the face of the damper vertical for proper functioning (see instructions included with the damper.) After the furnace has been firing for at least five minutes, the draft regulator should be set to between -0.025" and -0.060" W.C.

## 3.3.5 Overfire pressure test

The overfire draft that is taken through the observation port, located above the burner, is a measurement necessary to determine if there is a blockage in the heat exchanger or the flue pipe. Refer to the Technical Specifications in this manual for overfire pressure values. A high pressure condition may be caused by excessive combustion air, due to the air band being too wide open, or a lack of flue draft (chimney effect) or some other blockage, such as soot in the secondary section of the heat exchanger or the use of an oversize nozzle input or high pressure pump.

## 3.3.6 Vent Temperature Test

1. After having adjusted the burner combustion, insert a thermometer into the test hole in the breach pipe;
2. The total vent temperature should be between 204 and 302°C (400 and 575°F). If not, check for improper air temperature rise, pump pressure, nozzle size or a badly sooted heat exchanger.

## CAUTION

Low flue gas temperature increases the risk of condensation. Adjust the total temperature at or higher than 204°C (400°F) in order for the heat exchanger warranty to remain in force.

### 3.3.7 Supply Air Temperature Rise Test

1. Operate the burner for at least 10 minutes;
2. Measure the air temperature in the return air plenum;
3. Measure the air temperature in the largest trunk coming off the supply air plenum, just outside the range of radiant heat from the heat exchanger. 0.3 m (12") from the plenum of the main take-off is usually sufficient;
4. The temperature rise is calculated by subtracting the return air temperature from the supply air temperature;
5. If the temperature rise is lower or exceeds the temperature specified in Table 6, change to the next lower or higher blower speed tap, until the temperature rise falls to the target. If the excessive temperature rise cannot be increased or reduced by changing fan speed, investigate for ductwork obstructions, dirty or improper air filter, improper firing caused by improper pump pressure or nozzle sizing.

### 3.3.8 Limit control check

After operating the furnace for at least 15 minutes, restrict the return air supply by blocking the filters or the return air register and allow the furnace to shut off on High Limit. The burner will shut off but the blower will continue to run.

Remove the obstruction and the burner should restart after a few minutes. The time required for the restart also depends on the adjustment of the blower "OFF" delay.

### 3.3.9 Restart after Burner Failure

1. Set the thermostat lower than room temperature;
2. Press the reset button on the burner primary control (relay);
3. Set the thermostat higher than room temperature;
4. If the burner motor does not start or ignition fails, turn off the disconnect switch and CALL A QUALIFIED SERVICE TECHNICIAN.

## CAUTION

Do not attempt to start the burner when excess oil has accumulated, when the furnace is full of vapour or when the combustion chamber is hot.

## 4 MAINTENANCE

Preventive maintenance is the best way to avoid unnecessary expense and inconvenience. Have your heating system and burner inspected by a qualified service technician at regular intervals and after extended periods of shutdown.

To maintain the reliability and optimal performance of the furnace, have a complete combustion check done after the annual maintenance call. Do not attempt to repair the furnace or its controls. Call a qualified service technician.

ALWAYS KEEP THE OIL SUPPLY VALVE SHUT OFF IF THE BURNER IS SHUT DOWN FOR AN EXTENDED PERIOD OF TIME.

**Before calling for repair service check the following points:**

1. Check the oil tank gauge and make sure that the valve is open;
2. Check fuses and the circuit breaker;
3. Check if the main disconnect switch is ON ;
4. Set the thermostat above room temperature;
5. If ignition does not occur, turn off the disconnect switch and call a qualified service technician.

**When ordering replacement parts, please specify the complete furnace model number and serial number.**

## 4.1 CLEANING THE HEAT EXCHANGER

It is not generally necessary to clean the heat exchanger or flue pipe every year, but it is advisable to have the oil burner service technician check the unit before each heating season to determine whether the cleaning or replacement of parts is necessary.

If a cleaning is necessary, the following steps should be performed:

1. **Turn OFF all utilities upstream from the furnace;**
2. Disconnect the flue pipe;
3. Remove the flue collar panel located at the front of the furnace;
4. Remove the heat exchanger baffles;
5. Disconnect the oil line and remove the oil burner;
6. Clean the secondary tubes and the primary cylinder with a stiff brush and a vacuum cleaner;
7. Before re-assembling the unit, the heat exchanger and combustion chamber should be inspected to determine if replacement is required;
8. After the cleaning, replace the heat exchanger baffles, flue collar plate and oil burner;
9. Readjust the burner for proper operation.

## 4.2 CLEANING THE BLOCKED VENT SHUT-OFF DEVICE (BVSO)

For continuous safe operation, the Blocked Vent Shut-off device (BVSO) must be inspected and maintained annually by a qualified service technician.

1. **Disconnect power to the appliance;**
2. Remove the two screws holding on the BVSO assembly cover;
3. Remove the cover;
4. Remove the two screws holding the control box to the heat transfer tube assembly. Sliding the control box in the appropriate direction will unlock it from the heat transfer tube assembly;
5. Carefully remove any build-up from the thermal switch surface;

## CAUTION

Do not dent or scratch the surface of the thermal switch. If the thermal switch is damaged it **MUST** be replaced.

6. Clean and remove any build-up or obstruction inside the heat transfer tube;
7. Re-mount, lock and fasten the control box with the 2 screws removed in step 4;
8. Re-attach the assembly cover with the screws removed in step 2;
9. Re-establish power to the unit.

### **4.3 CLEANING THE BURNER HEAD**

Once a year, remove the retention head and electrodes from the drawer assembly and remove all foreign matter, if necessary. Also clean the extremity of the burner tube, if necessary.

### **4.4 CHANGING THE NOZZLE**

Change the nozzle once a year with the one specified in Table 6.

### **4.5 CHANGING THE OIL FILTER**

#### **Tank Filter**

The tank filter should be changed as required. Follow the manufacturer's instructions.

#### **Secondary Filter**

The 10 micron, or finer, filter cartridge should be changed annually. Follow the manufacturer's instructions.

### **4.6 CHANGING THE AIR FILTER**

Dirty filters have an impact on the efficiency of the furnace and increase fuel consumption.

Air filters should be changed at least once a year. Very dusty conditions, the presence of animal hair and the like will require more frequent changing or cleaning.

## 5 FURNACE INFORMATION

Model: ..... Serial number: .....

Furnace installation date: .....

Service telephone # - Day: ..... Night: .....

Dealer name and address: .....

.....

.....

### **START-UP RESULTS**

Nozzle: ..... Pressure: ..... lb/po2

Burner adjustments: Primary air .....

Fine air .....

Drawer Assembly .....

% CO2: ..... Smoke scale: ..... (Bacharach)

Gross stack temperature: ..... °F

Ambient temperature: ..... °F

Chimney draft: ..... " W.C.

Overfire draft: ..... " W.C.

Test performed by: .....

# 6 TECHNICAL SPECIFICATIONS

Table 6 – Technical specifications


098 Series, multi-position models	UNITS WITH 1/3 HP PSC MOTOR			UNITS WITH 1/2 HP ECM MOTOR	
<b>RATING AND PERFORMANCE</b>					
Firing rate(USGPH)*	0.50	0.60	0.70	0.50	0.60
Input (BTU/h)*	70,000	84,000	98,000	70,000	84,000
Maximum Heating capacity, (BTU/h)*	59,000	70,000	81,000	59,000	70,000
Heating temperature rise (Degr. F)*	55 - 85 Degr. F			55 - 85 Degr. F	
Flue draft with chimney (inch of w.c.)	-0.06 to -0.025			-0.06 to -0.025	
Overfire pressure with chimney (inch of w.c.)	-0.035 to +0.010			-0.035 to +0.010	
Flue pressure with direct vent (inch of w.c. - no wind)	+0.05 to +0.20			+0.05 to +0.20	
Overfire pressure with direct vent (inch of w.c. - no wind)	+0.03 to +0.15			+0.03 to +0.15	
<b>BECKETT BURNER; AFG MODEL (Chimney)</b>	<b>AFG70MQSS</b>			<b>AFG70MQSS</b>	
Burner tube insertion length (inches)	1 3/4"			1 3/4"	
Head type	2 Slots - L2 head			2 Slots - L2 head	
Nozzle (Delavan)**	0.40 - 60A	<b>0.50 - 60A</b>	0.60 - 60B	0.40 - 60A	<b>0.50 - 60A</b>
Low firing rate baffle	Yes (5580)	Yes (5580)	No	Yes (5580)	Yes (5580)
Pump pressure (PSIG)*	175	150	140	175	150
Head/Air setting (damper/band)	4/0	8/0	5/0	4/0	8/0
AFUE % (From CSA B212 standard and Canadian regulation)***	85.6%	85.6%	84.3%	‡ 85.6%	‡ 85.6%
AFUE % (From ASHRAE 103 standard and US regulation)***	85.2%	85.1%	83.9%	‡ 85.2%	‡ 85.1%
<b>BECKETT BURNER; NX MODEL (Chimney or DV)</b>	<b>NX56LQ</b>			<b>NX56LQ</b>	
Burner tube insertion length (inches)	1 3/4"			1 3/4"	
Head type	6 Slots - LQ head			6 Slots - LQ head	
Nozzle (Delavan)**	0.40 - 60W	<b>0.50 - 60W</b>	0.60 - 60W	0.40 - 60W	<b>0.50 - 60W</b>
Low firing rate baffle	Yes (32229)	Yes (32229)	No	Yes (32229)	Yes (32229)
Pump pressure (PSIG)*	155	145	135	155	145
Combustion air adjustment	2.0	2.75	2.5	2.0	2.75
AFUE % (From CSA B212 standard and Canadian regulation)***	86.7%	85.7%	85.0%	‡ 86.7%	‡ 85.7%
AFUE % (From ASHRAE 103 standard and US regulation)***	86.1%	85.4%	84.5%	‡ 86.1%	‡ 85.4%
<b>RIELLO BURNER; 40-F3 MODEL (Chimney)</b>	<b>F3 WITH AIR INLET DAMPER</b>			<b>F3 WITH AIR INLET DAMPER</b>	
Burner tube insertion length (inches)	2 3/4"			2 3/4"	
Nozzle (Delavan)**	0.40 - 70A	<b>0.50 - 70A</b>	0.60 - 70A	0.40 - 70A	<b>0.50 - 70A</b>
Pump pressure (PSIG)*	155	145	135	155	145
Combustion air adjustment (turbulator/damper)	0 / 1.5	0 / 2.5	1 / 3.5	0 / 1.5	0 / 2.5
AFUE % (From CSA B212 standard and Canadian regulation)***	87.0%	86.3%	84.9%	‡ 87.0%	‡ 86.3%
AFUE % (From ASHRAE 103 standard and US regulation)***	86.4%	85.9%	84.5%	‡ 86.4%	‡ 85.9%
<b>RIELLO BURNER; 40-BF3 MODEL (Direct vent DV)</b>	<b>BF3</b>			<b>BF3</b>	
Burner tube insertion length (inches)	2 3/4"			2 3/4"	
Nozzle (Delavan)**	0.40 - 70A	<b>0.50 - 70A</b>	0.60 - 70A	0.40 - 70A	<b>0.50 - 70A</b>
Pump pressure (PSIG)*	155	145	135	155	145
Combustion air adjustment (turbulator/damper)	0 / 3.25	0 / 4	1 / 5.25	0 / 3.25	0 / 4
AFUE % (From CSA B212 standard and Canadian regulation)***	85.6%	85.3%	84.0%	‡ 85.6%	‡ 85.3%
AFUE % (From ASHRAE 103 standard and US regulation)***	85.1%	85.0%	83.3%	‡ 85.1%	‡ 85.0%
<b>ELECTRICAL SYSTEM</b>					
Volts - Hertz - Phase	115 - 60 - 1			115 - 60 - 1	
Rated current (Amps)	12.2			10.3	
Minimum ampacity for wire sizing (Amps)	13.7			12.2	
Max. fuse size (Amps)	15			15	
Control transformer (VA)	40			40	
External control power available: Heating / Cooling (VA)	40 / 30			40 / 30	
<b>BLOWER DATA</b>					
Heating blower speed at 0.25" W.C. SP	MED-LOW	MED-HIGH	HIGH		
Heating blower speed at 0.50" W.C. SP	MED-LOW	MED-HIGH	HIGH	See the ECM air flow table	
Motor (HP) / number of speeds	1/3 HP / 4 speeds			1/2 HP / ECM (with inductor)	
Blower size (diam. x width)	10" x 8"			10" x 8"	
<b>GENERAL INFORMATION</b>					
Overall dimensions (width x depth x height)	16 7/8" x 20 1/8" x 40 3/4"			16 7/8" x 20 1/8" x 40 3/4"	
Supply air opening (width x depth)	16" x 19"			16" x 19"	
Return air opening (width x depth)	19" x 19"			19" x 19"	
Filter size (depth x height x thickness)	20" x 20" x 1"			20" x 20" x 1"	
Shipping weight Lbs/Kg	125 / 57			125 / 57	
Air conditioning, maximum output (tons) at 0.5" W.C. SP	2.5			3.0	

\* INPUT AND OUTPUT ADJUSTMENT :

- Pump pressure can be adjusted to maintain proper firing rate
- Increase pump pressure if flue gases' temperature is under 400 °F
- Adjust the total flue gas temperature between 400 °F and 575 °F (330 °and 505 °F net approx.)
- Adjust fan speed for air temperature rise to be in specified range

\*\* Default installed Nozzle in bold characters.

\*\* AFUE value established after minimum 20 hours of operation.



**Table 7 – Airflow data, models with 1/2HP ECM motor**

<b>OIL HEATING MODE</b>				
24 VAC input (R) on W only				
SW1- HEAT DIP switch position	HEAT INPUT (USGPH)	CFM with SW3-ADJ DIP switch position A	CFM with SW3-ADJ DIP switch position B	CFM with SW3-ADJ DIP switch position C
A (1=OFF, 2=OFF)	0,70	970	1070	875
B (1=ON, 2=OFF)	0,60	820	900	735
C (1=OFF, 2=ON)	0,50	680	750	610
D (1=ON, 2=ON)	Same values as DIPswitch position A			

<b>CONTINUOUS FAN</b>				
24 VAC input (R) on G only				
SW2 - COOL DIP switch position	A/C size (TON)	CFM with SW3-ADJ DIP switch position A	CFM with SW3-ADJ DIP switch position B	CFM with SW3-ADJ DIP switch position C
A (1=OFF, 2=OFF)	3,0	900	1035	765
B (1=ON, 2=OFF)	2,5	750	860	635
C (1=OFF, 2=ON)	2,0	600	690	510
D (1=ON, 2=ON)	1,5	450	515	380

<b>COOLING OR HEAT PUMP HEATING MODE</b>				
24 VAC input (R) to G, Y/Y2 and O (for cooling)				
SW2 - COOL DIP switch position	A/C size (TON)	CFM with SW3-ADJ DIP switch position A	CFM with SW3-ADJ DIP switch position B	CFM with SW3-ADJ DIP switch position C
A (1=OFF, 2=OFF)	3,0	1200	1320	1080
B (1=ON, 2=OFF)	2,5	1000	1100	900
C (1=OFF, 2=ON)	2,0	800	880	720
D (1=ON, 2=ON)	1,5	600	660	540

In cooling - Dehumidification mode, with no 24 VAC input to DH, the CFMs are reduced by 15%.

The CFMs shown are reduced by 20% if there is 24 VAC input to Y1 (first stage of the 2-stage cooling unit)

<b>DELAY PROFILE FOR OIL HEATING MODE</b>				
SW4 - DELAY DIP switch position	HEAT INPUT(USGPH)	PreRun On-Delay CFM Level - Time	ShortRun On-Delay CFM Level - Time	Off-Delay CFM Level - Time
A (1=OFF, 2=OFF)	0,75	13% - 45 sec.	19% - 30 sec	38% - 3 min.
B (1=ON, 2=OFF)	0,65	13% - 45 sec.	19% - 60 sec	38% - 3 min.
C (1=OFF, 2=ON)	0,50	13% - 60 sec.	13% - 60 sec	38% - 3 min.
D (1=ON, 2=ON)	All	13% - 30 sec.	100% - 30 sec	100% - 2 min.

PreRun and ShortRun are the periods of time when the blower starts at very low CFM to minimize the distribution of cool air in the system and then runs up to normal speed.

Off Delay is the time required to cool down the heat exchanger with low CFMs, to minimize cool draft in the air distribution system.

<b>DELAY PROFILE FOR COOLING OR HEAT PUMP HEATING MODE</b>				
No adjustment required	A/C size	PreRun On-delay CFM Level - Time	ShortRun On-delay CFM Level - Time	Off-Delay CFM level - Time
-	All	NO DELAY	NO DELAY	100% - 90 sec

PreRun and ShortRun are the periods of time when the blower starts at very low CFM to minimize the distribution of cool air in the system and then runs up to normal speed.

Off delay of cool air is the time required to cool down the coil (heating mode) with low CFMs.

**Table 8 – Airflow data, models with 1/3HP PSC motors**

BLOWER SPEED	EXTERNAL STATIC PRESSURE WITH AIR FILTER								
	0.1" (W.C.)	0.2" (W.C.)	0.3" (W.C.)	0.4" (W.C.)	0.5" (W.C.)	0.6" (W.C.)	0.7" (W.C.)	0.8" (W.C.)	0.9" (W.C.)
HIGH	1230	1185	1150	1095	1050	990	920	810	595
MED-HIGH	1090	1055	1005	970	925	875	810	700	550
MED-LOW	865	860	860	845	795	740	695	600	460
LOW	675	680	690	680	665	640	565	480	390

**Table 9 – Minimum clearances from combustible materials**

LOCATION		UPFLOW	HORIZONTAL	DOWNFLOW
SIDES	FURNACE <sup>1</sup>	2.54cm (1")	N/A	5.08cm (2")
	PLENUM AND WARM-AIR DUCT WITHIN 6ft. OF FURNACE <sup>1</sup>	5.08cm (2")	2.54cm (1")	5.08cm (2")
BOTTOM	FURNACE <sup>2</sup>	∅	2.54cm (1") <sup>3</sup>	5.08cm (2") <sup>4</sup>
BACK	FURNACE (OPPOSITE SIDE OF THE BURNER) <sup>1</sup>	7.62cm (3")	7.62cm (3")	7.62cm (3")
TOP	PLENUM OR HORIZONTAL WARM-AIR DUCT WITHIN 6ft. OF FURNACE <sup>2</sup>	5.08cm (2")	5.08cm (2")	5.08cm (2")
	FURNACE <sup>2</sup>	N/A	5.08cm (2")	N/A
FLUE PIPE	AROUND FLUE PIPE	22.86cm (9")	22.86cm (9")	22.86cm (9")
FRONT	FURNACE (BURNER SIDE) <sup>1</sup>	45.72cm (18")	45.72cm (18")	45.72cm (18")

<sup>1</sup>These are horizontal dimensions

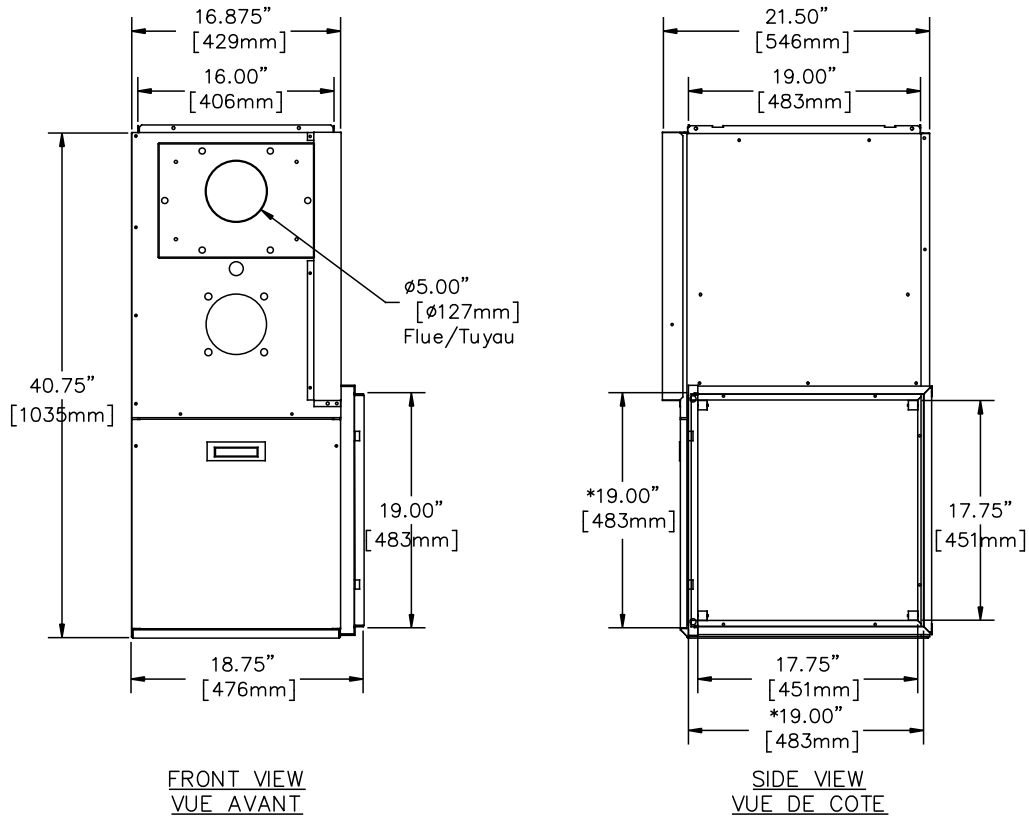
<sup>2</sup>These are vertical dimensions

<sup>3</sup>This dimension can be obtained by using Horizontal Flow Base #HFB-101 or #KLASB0701DET

<sup>4</sup>This dimension can be obtained by using Downflow Base #DFB-102 or #KLASB0801DET

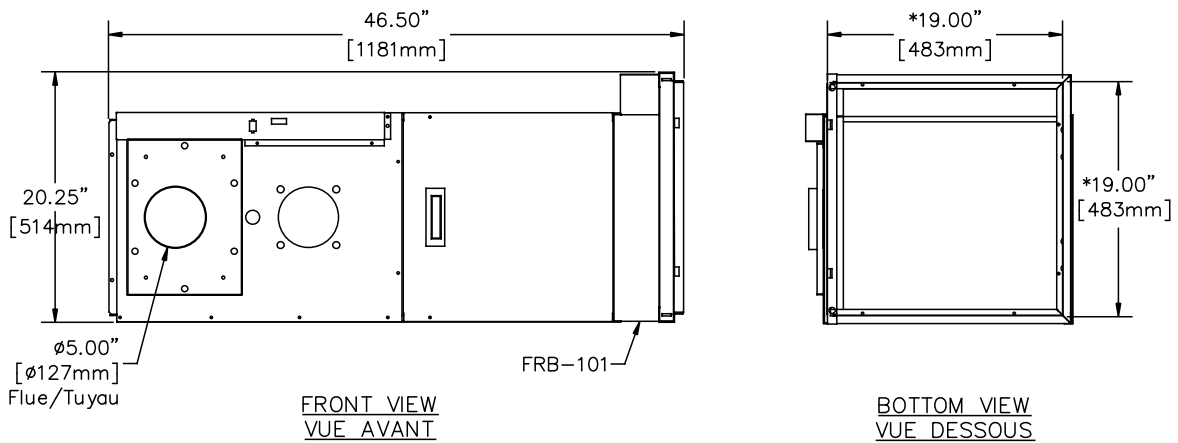


**Figure 9 – Furnace Dimensions**



\* DUCT OPENING/OUVERTURE CONDUIT

HORIZONTAL INSTALLATION WITH FLOOR RETURN BASE (FRB-101)  
 INSTALLATION HORIZONTALE AVEC BASE RETOUR DE PLANCHER (FRB-101)



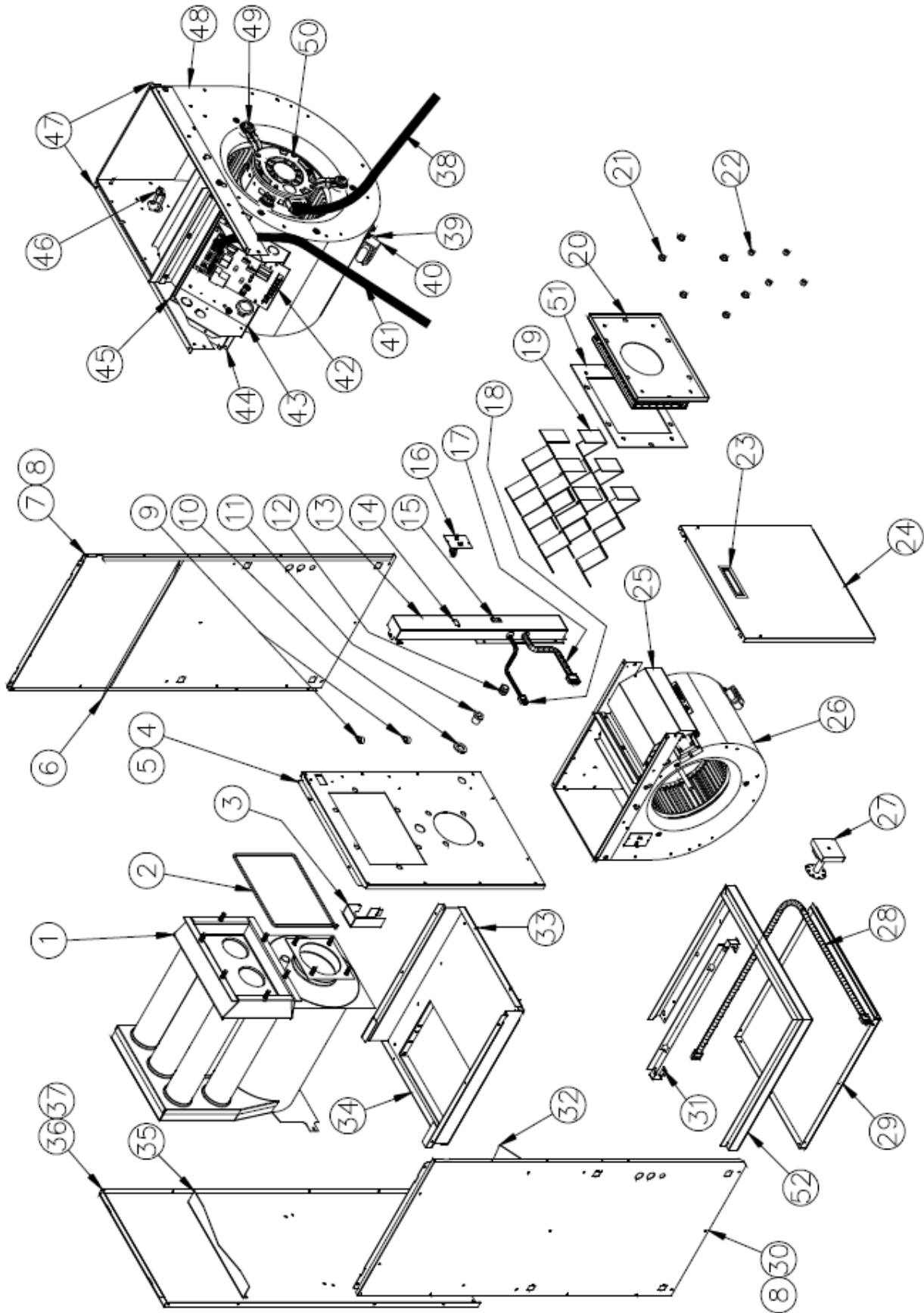
\* DUCT OPENING/OUVERTURE CONDUIT

DNS-1097 Rev.C





Figure 12 – Parts list with 4-speed motor (PSC)



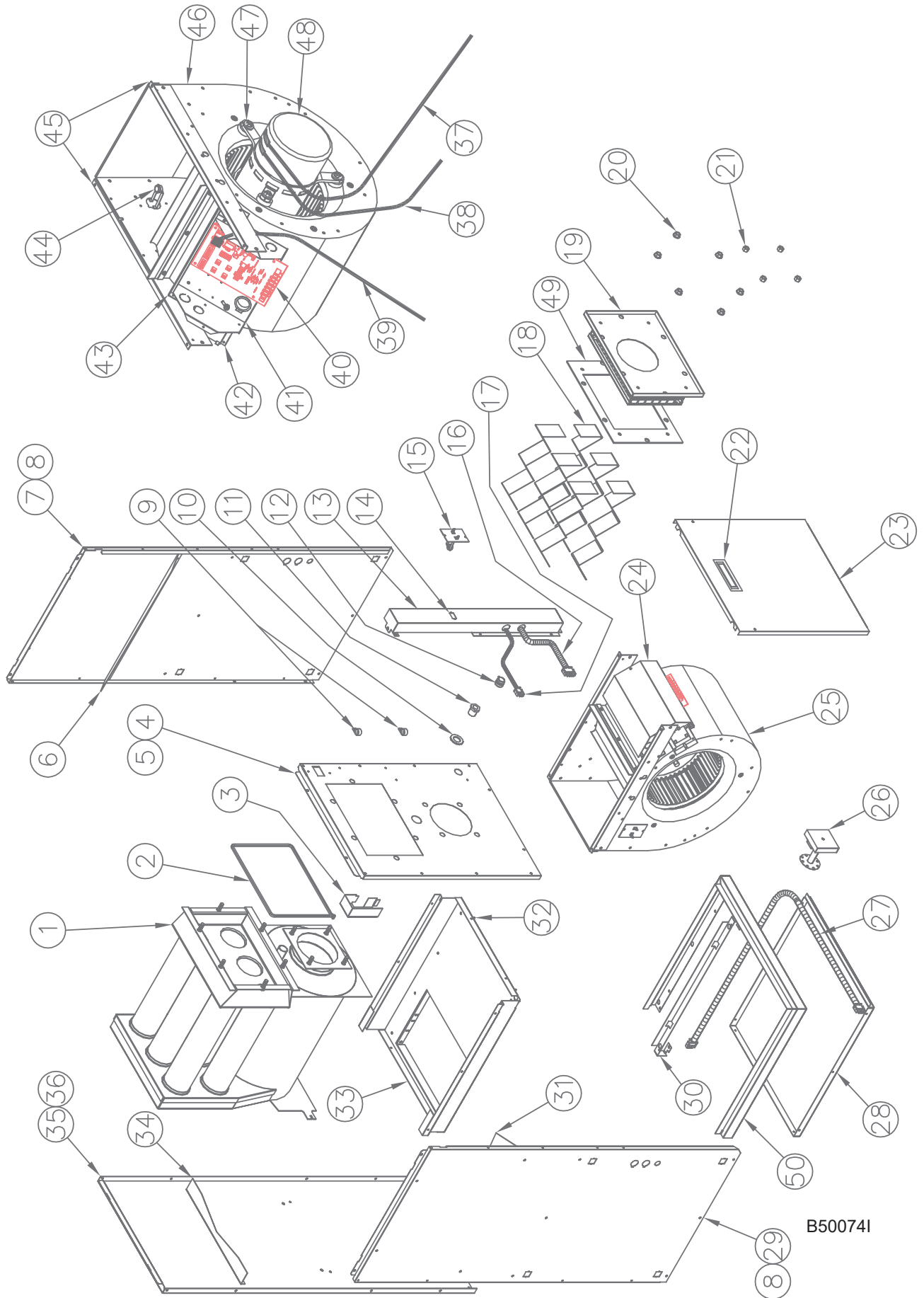
B50064H

**Table 10 – Parts list with 4-speed motor PSC**

#	Item	Description	Comments
1	B03409	HEAT EXCHANGER	Heat exchanger only
2	J06L002	SEAL STRIP 1/4 x 1/8 x 25'	
3	B03429	WIRE CHANNEL, INT.	
4	B03420-01	FRONT PANEL ASSEMBLY	Panels, insulation and labels included
5	B03444	FRONT PANEL INSULATION	
6	B03450-01	LATERAL BAFFLE	
7	B03426-01	SIDE PANEL ASSEMBLY (RIGHT)	Panel, insulation and baffle included
8	B03473	SIDE PANEL INSULATION	
9	L04J001	CABLE CLAMP 9/16" WHITE	
10	F06F015	WASHER ZINC 1 7/16"	
11	Z99F061	OBSERVATION PORT	
12	L04I013	STRAIN RELIEF BUSHING	
13	B03448	WIRE CHANNEL (BVSO/SWITCH)	
14	B03455-01	ELECTRICAL KIT BVSO INT.	
15	L07F003	ROCKER SWITCHSPST	
16	R02R006	HIGH LIMIT 36T01B7 150-20F, 7"	
17	B03454	ELECTRICAL KIT, BURNER	
18	B03453	ELECTRICAL KIT TT	
19	B03630-01	BAFFLE	One baffle included
20	B03416	RADIATOR BAFFLE	item #51 included
21	F07O001	FLANGE NUT, HEXAGONAL 3/8-16NC BRASS	
22	F07F011	HEXAGONAL NUT 3/8-16NC ZINC	
23	Z99F050	HANDLE, RECESSED BLACK	
24	B03419	BLOWER DOOR ASSEMBLY	Door and labels included
25	B03439	COVER, ELECTRICAL BOX	
26	B03535-01	REPLACEMENT BLOWER ASSEMBLY	Blower, motor and capacitor included
27	Z06G001	BLOCKED VENT SHUT-OFF BVSO-225-A	
28	B03118-01	ELECTRICAL KIT BVSO EXT.	
29	B03470	FLOOR	
30	B03426-02	SIDE PANEL ASSEMBLY (LEFT)	Panel, insulation and baffle included
31	B03298	FILTER RACK ACCESS	
32	B03450-02	LATERAL BAFFLE	
33	B30513	BLOWER SLIDE	One side included
34	B03441	BLOWER DIVIDER	
35	B03451	REAR BAFFLE	
36	B03427	REAR PANEL ASSEMBLY	Panel, insulation and baffles included
37	B03471	REAR PANEL INSULATION	
38	B03457-01	ELECTRICAL KIT, BLOWER	
39	L01I001	CAPACITOR 5MF	
40	B01024	CAPACITOR HOLDER	
41	B03456	ELECTRICAL KIT, BOARD	
42	R99G004	ELECTRONIC BOARD UTEC 1158-110	
43	B03440	ELECTRICAL BOX	
44	L01F009	TRANSFORMER, 120-24Volts, 40VA	
45	B03438	SUPPORT, ELECTRONICS BOX	
46	R02R007	HIGH LIMIT, 120-20F, 1.75"	
47	B03437	BLOWER SLIDE	One slide included
48	B03720-02	BLOWER, 100-8R DD 0,50 PP	Housing, wheel and label only
49	B01888	MOTOR SUPPORT ASSEMBLY	Legs, band and hardware included
50	B01890-01	MOTOR ASSEMBLY 1/3 HP	Complete motor with legs
51	B03428	SMOKE OUTLET GASKET	
52	B03299	FILTER RACK FRAME	
53	L01G009	CONTROL CARD FUSE - 3 AMPS	
<b>Accessories</b>			
	DFB-102 / KLASB0801DET	DOWNFLOW BASE	B03464-01
	HFB-101 / KLASB0701DET	HORIZONTAL FLOW BASE	B00488-01
	FRB-101 / KLARB0101DET	FLOOR RETURN BASE	B03482-01
	VTK-54 / VTK-098 / KLAVT0101DET	VENT TERMINAL KIT 4"	For sealed combustion
	IFV-420 / IFV098-20 / KLAFV0201DET	4" INSULATED FLEX VENT 20ft	For sealed combustion
	N01J054	BECKETT AFG BURNER (0.50-60A NOZZLE)	
	N01J050 / KLABR0101BEC	BECKETT NX BURNER (0.50-60W NOZZLE)	
	N01F054 / KLABR0101RLO	RIELLO 40-F3 BURNER (0.50-70A NOZZLE)	
	N01F055 / KLABR201RLO	RIELLO 40-BF3 BURNER (0.50-70A NOZZLE)	For sealed combustion
	B03789	BURNER NX PROTECTION PLATE	For downflow installation only

B50064K

Figure 13 – Parts list with variable speed motor (ECM)



B50074I

**Table 11 – Parts list with variable speed motor (ECM)**

#	Item	Description	Comments
1	B03409	HEAT EXCHANGER	Heat exchanger only
2	J06L002	SEAL STRIP, DIA 1/4 x 1/8 x 25'	
3	B03429	WIRE CHANNEL, INT.	
4	B03420-01	FRONT PANEL ASSEMBLY	Panel, insulation and labels included
5	B03444	FRONT PANEL INSULATION	
6	B03450-01	BAFFLE, LATERAL	
7	B03426-01	SIDE PANEL ASSEMBLY (RIGHT)	Panel, insulation and baffle included
8	B03473	SIDE PANEL INSULATION	
9	L04J001	CABLE CLAMP, 9/16" WHITE.	
10	F06F015	WASHER, ZINC 1 7/16"	
11	Z99F061	OBSERVATION PORT	
12	R02R009	STRAIN RELIEF BUSHING	
13	B03447	WIRE CHANNEL	
14	B03455-01	ELECTRICAL KIT, BVSO INT.	
15	R02R006	HIGH LIMIT 36T01B7 150-20F, 7"	
16	B03454	ELECTRICAL KIT, BURNER	
17	B03453	ELECTRICAL KIT, TT	
18	B03630-01	BAFFLE	
19	B03416	RADIATOR BAFFLE	
20	F07O001	FLANGE NUT, HEXAGONAL 3/8-16NC BRASS	
21	F07F011	HEX NUT 3/8-16NC ZINC	
22	Z99F050	HANDLE , RECESSED BLACK	
23	B03419	BLOWER DOOR ASSEMBLY	Door and labels included
24	B03439	COVER, ELECTRICAL BOX	
25	B03535-02	REPLACEMENT BLOWER ASSEMBLY	Blower, motor included
26	Z06G001	BLOCKED VENT SHUT-OFFBVSO-225-A	
27	B03118-01	ELECTRICAL KIT, BVSO EXT.	
28	B03470	FLOOR	
29	B03426-02	SIDE PANEL ASSEMBLY (LEFT)	Panel, insulation and baffle included
30	B03298	FILTER RACK ACCESS	
31	B03450-02	LATERAL BAFFLE	
32	B30513	BLOWER SLIDE	One blower slide included
33	B03441	BLOWER DIVIDER	
34	B03451	REAR BAFFLE	
35	B03427	REAR PANEL ASSEMBLY	Panel, insulation and baffles included
36	B03471	REAR PANEL INSULATION	
37	B03242	ELECTRONIC KIT BLOWER	
38	B03243	ELECTRICAL KIT, BLOWER	
39	B03456	ELECTRICAL KIT, BOARD	
40	R99G003	ELECTRONIC BOARD, UTEC 1168	
41	B03440	ELECTRICAL BOX	
42	L01F009	TRANSFORMER, 120-24Volt, 40VA	
43	B03438	ELECTRONIC BOX SUPPORT	
44	R02R007	HIGH LIMIT 120-20F, 1.75"	
45	B03437	BLOWER SLIDE	One blower slide included
46	B03720-07	BLOWER AASSEMBLY WITH LABEL	Housing, wheel and label included
47	B01888	MOTOR SUPPORT ASSEMBLY	Legs, band & hardware included
48	B03811-14	MOTOR 1/2 HP ECM 5.0	
49	B03428	SMOKE OUTLET GASKET	
50	B03299	FILTER RACK FRAME	
51	L01G009	CONTROL CARD FUSE - 3 AMPS	
<b>Accessories</b>			
	DFB-102 / KLASB0801DET	DOWNFLOW BASE	B03464-01
	HFB-101 / KLASB0701DET	HORIZONTAL FLOW BASE	B00488-01
	FRB-101 / KLARB0101DET	FLOOR RETURN BASE	B03482-01
	VTK-54 / VTK-098 / KLAVT0101DET	VENT TERMINAL KIT 4"	For sealed combustion
	IFV-420 / IFV098-20 / KLAFV0201DET	4" INSULATED FLEX VENT 20ft	For sealed combustion
	N01J054	BECKETT AFG BURNER (0.50-60A NOZZLE)	
	N01J050 / KLABR0101BEC	BECKETT NX BURNER (0.50-60W NOZZLE)	
	N01F054 / KLABR0101RLO	RIELLO 40-F3 BURNER (0.50-70A NOZZLE)	
	N01F055 / KLABR0201RLO	RIELLO 40-BF3 BURNER (0.50-70A NOZZLE)	For sealed combustion
	B03789	BURNER NX PROTECTION PLATE	For downflow installation only

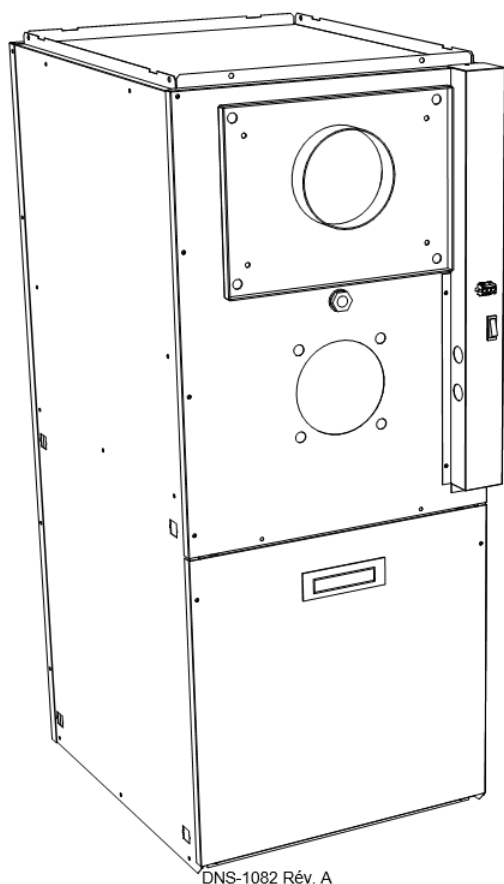
B50074K

**OBM098**  
**OVM098**

**Fournaise au mazout Multipoise**  
**Puissance de l'entrée 70 000-98 000**

## Instructions d'installation

### CE MANUEL CONTIENT DES INFORMATIONS IMPORTANTES



**INSTALLATEUR:** Utiliser l'information contenue dans ce manuel afin de procéder à l'installation de l'unité. Garder ce manuel près de l'unité pour références ultérieures.

**UTILISATEUR:** Conserver ce manuel d'information pour références ultérieures.

**TECHNICIEN DE SERVICE:** Utiliser l'information contenue dans ce manuel afin d'effectuer l'entretien de l'appareil. Garder ce manuel près de l'unité pour références ultérieures.



Use of the AHRI Certified TM Mark indicates a manufacturer's participation in the program. For verification of certification for individual products, go to [www.ahridirectory.org](http://www.ahridirectory.org).



# Table des matières

<b>1</b>	<b>SÉCURITÉ</b>	<b>2</b>
1.1	SIGNALISATION DANGER, MISE EN GARDE ET AVERTISSEMENT	2
1.2	REMARQUES IMPORTANTES	2
1.3	SYSTÈMES DE PROTECTION	2
1.4	RISQUES DE GEL	2
<b>2</b>	<b>INSTALLATION</b>	<b>3</b>
2.1	EMPLACEMENT DE LA FOURNAISE	3
2.1.1	Installation dans un espace clos	3
2.2	CONFIGURATIONS	3
2.2.1	Débit ascendant	3
2.2.2	Débit descendant	4
2.2.3	Débit horizontal	4
2.3	RACCORDEMENT ÉLECTRIQUE	4
2.4	INSTALLATION DU THERMOSTAT	4
2.5	INSTALLATION DU BRÛLEUR	5
2.5.1	Gicleurs	5
2.5.2	Réglage de l'air et du turbulateur	5
2.5.3	Réglage du délai post purge	5
2.6	ÉVACUATION	5
2.6.1	Cheminée de maçonnerie	5
2.6.2	Cheminée fabriquées en usine	6
2.6.3	Régulateur de tirage	6
2.6.4	Évacuation directe murale & Maison mobile / véhicule récréatif	6
2.7	DISPOSITIF D'ARRÊT ANTI-REFOULEMENT (BVSO) POUR ÉVACUATION PAR CHEMINÉE	6
2.7.1	Vérification du dispositif d'arrêt anti-refoulement	6
2.8	ALIMENTATION EN AIR DE COMBUSTION ET VENTILATION	6
2.8.1	Air de combustion contaminé	6
2.8.2	Brûleur – Air de combustion extérieur	7
2.9	RÉSERVOIR DE MAZOUT	7
2.10	SYSTÈME DE DISTRIBUTION D'AIR	7
2.10.1	Filtre à air	7
2.11	AJUSTEMENT DES DÉBITS D'AIR DE VENTILATION (MOTEUR 4 VITESSES)	7
2.12	AJUSTEMENT DES DÉBITS D'AIR DE VENTILATION (MOTEUR À VITESSE VARIABLE ECM)	8
2.13	INSTALLATION D'ÉQUIPEMENTS CONNEXES	9
2.13.1	Humidificateur (HUM)	9
2.13.2	Filtre électronique (EAC)	9
2.13.3	Unité de climatisation (ou thermopompe)	9
<b>3</b>	<b>OPÉRATION</b>	<b>9</b>
3.1	MISE EN MARCHÉ	9
3.2	SÉQUENCE DE FONCTIONNEMENT EN MODE CHAUFFAGE AU MAZOUT	9
3.3	VÉRIFICATIONS ET AJUSTEMENTS	10
3.3.1	Purge de la ligne de mazout	10
3.3.2	Ajustement de la pression	10
3.3.3	Vérification de la combustion	10
3.3.4	Ajustement du régulateur de tirage	10
3.3.5	Test de pression au dessus du feu	10
3.3.6	Test de la température de l'évent	10

3.3.7	Test de hausse de température	10
3.3.8	Vérification des limiteurs de température	10
3.3.9	Démarrage après défaillance du brûleur	11

<b>4</b>	<b>ENTRETIEN</b>	<b>11</b>
4.1	NETTOYAGE DE L'ÉCHANGEUR DE CHALEUR	11
4.2	NETTOYAGE DU DISPOSITIF D'ARRÊT ANTI-REFOULEMENT (BVSO)	11
4.3	NETTOYAGE DE LA TÊTE DU BRÛLEUR	11
4.4	REMPACEMENT DU GICLEUR	11
4.5	REMPACEMENT DU FILTRE À L'HUILE	12
4.6	REMPACEMENT DU FILTRE À AIR	12
<b>5</b>	<b>FICHE TECHNIQUE DE L'APPAREIL</b>	<b>13</b>
<b>6</b>	<b>SPÉCIFICATIONS TECHNIQUES</b>	<b>14</b>

## Liste des figures

Figure 1:	Dimensions & localisation, ouvertures de ventilation dans la porte du placard	3
Figure 2:	Débit ascendant	3
Figure 3:	Débit descendant	4
Figure 4:	Débit horizontal	4
Figure 5:	Branchement du thermostat, chauffage et climatisation, unité avec moteur 4 vitesses	4
Figure 6:	Branchement du thermostat, chauffage et climatisation, unité avec moteur ECM	5
Figure 7:	Branchement du thermostat, chauffage et climatisation/thermopompe, unité avec moteur ECM	5
Figure 8:	Délais de départ et d'arrêt du ventilateur-	7
Figure 9:	Dimensions de la fournaise	17
Figure 10:	Diagramme électrique - Moteur 4 vitesses (PSC)	18
Figure 11:	Diagramme électrique - Moteur vitesse variable (ECM)	19
Figure 12:	Liste de pièces - Moteur 4 vitesses (PSC)	20
Figure 13:	Liste de pièces - Moteur à vitesse variable (ECM)	22

## Liste des tableaux

Table 1:	Ajustement des vitesses de ventilation - moteur 4 vitesses	8
Table 2:	Ajustements des débits d'air en mode chauffage_moteur ECM	8
Table 3:	Ajustements des débits d'air en mode climatisation_moteur ECM	8
Table 4:	Ajustements des débits d'air tous modes_moteur ECM	8
Table 5:	Ajustement des délais_moteur ECM	8
Table 6:	Spécifications techniques	14
Table 7:	Débits d'air, unités avec moteur 1/2 HP ECM	15
Table 8:	Débits d'air, unités avec moteur 1/3 HP PSC	16
Table 9:	Dégagements minimums aux matériaux combustibles	16
Table 10:	Liste des pièces - Moteur 4 vitesses (PSC)	21
Table 11:	Liste de pièces - Moteur à vitesse variable (ECM)	23

# 1 SÉCURITÉ

## 1.1 SIGNALISATION DANGER, MISE EN GARDE ET AVERTISSEMENT

Comprenez bien la portée des mots suivant : **DANGER, MISE EN GARDE ou AVERTISSEMENT**. Ces mots sont associés aux symboles de sécurité. Vous les retrouverez dans le manuel de la façon suivante :



**DANGER**

Le mot **DANGER** indique les plus graves dangers, ceux qui provoqueront la mort ou des dommages corporels et/ou matériels sérieux.



**MISE EN GARDE**

L'expression **MISE EN GARDE** signifie un danger qui peut entraîner la mort ou des dommages corporels et/ou matériels.

### AVERTISSEMENT

Quant au mot **AVERTISSEMENT**, il est utilisé pour indiquer les pratiques dangereuses qui peuvent provoquer des dommages corporels et/ou matériels mineurs.

## 1.2 REMARQUES IMPORTANTES



**MISE EN GARDE**

Ne pas se conformer aux règles de sécurité énoncées dans ce manuel pourrait entraîner des dommages corporels ou la mort et/ou des dommages matériels sérieux.



**MISE EN GARDE**

L'installation ou les réparations effectuées par du personnel non qualifié peuvent entraîner des risques pour vous ou pour autrui. L'installation DOIT être conforme aux codes locaux ou, dans le cas d'absence de codes locaux, elle doit être conforme aux codes nationaux qui s'appliquent. Les renseignements contenus dans ce manuel s'adressent à un technicien qualifié, expérimenté dans ce type de travail, au courant des précautions à prendre, des règles de sécurité à respecter et muni des outils appropriés ainsi que des instruments de vérification adéquats. Ne pas se conformer aux règles de sécurité énoncées dans ce manuel pourrait entraîner des dommages corporels, la mort et/ou des dommages matériels sérieux.

- a) Il est de la responsabilité et de l'obligation du propriétaire d'engager un technicien qualifié pour l'installation et le service subséquent de la fournaise.

- b) Ne pas faire fonctionner cette fournaise si elle était immergée dans l'eau. Appeler immédiatement un technicien qualifié pour vérifier les dommages et remplacer les pièces critiques qui ont été en contact avec l'eau.
- c) Ne pas ranger ou utiliser d'essence ou toute autre substance inflammable à proximité de l'appareil, ou d'autres matières combustibles telles que le papier, le carton, etc.
- d) Ne pas empiler d'objets ou de boîtes proches de matériaux combustibles dans les espaces indiqués Table 9 ;
- e) L'appareil est conçu exclusivement pour l'huile de chauffage No 1 ou No 2. L'utilisation d'essence, d'huile de moteur ou toutes autres huiles contenant de l'essence, est interdite;
- f) Ne jamais obstruer les grilles de retour d'air ou le filtre.
- g) Demander à l'installateur d'identifier et de vous informer sur les items suivants:
- L'interrupteur ou disjoncteur d'alimentation électrique;
  - La valve d'arrêt sur le réservoir de mazout;
  - Le filtre d'huile sur le conduit (comment le changer une fois par année);
  - Vérification mensuelle du filtre à air, nettoyage ou remplacement si nécessaire;
- h) Avant d'appeler pour le service, prendre en note les renseignements de la section 5- de ce manuel pour les numéros du modèle et le numéro de série de la fournaise.

## 1.3 SYSTÈMES DE PROTECTION

Il est recommandé que les usagers d'appareils de chauffage au mazout ou au gaz se munissent de détecteurs de monoxyde de carbone. Le monoxyde de carbone peut entraîner la mort ou des dommages corporels. Ainsi, afin d'être averti à temps d'un niveau de monoxyde de carbone potentiellement dangereux, vous devriez faire installer dans votre édifice ou résidence des détecteurs de monoxyde de carbone autorisés par une agence reconnue sur le plan national et les maintenir en bon état.

Il existe plusieurs sources possibles de flammes ou de fumée dans un édifice ou une résidence. Les flammes ou la fumée peuvent entraîner la mort ou des dommages corporels et/ou matériels. Ainsi, afin d'être averti à temps d'un début de feu potentiellement dangereux, il est recommandé vous procurer des extincteurs et faire installer dans votre édifice ou résidence des détecteurs de fumée autorisés par une agence reconnue sur le plan national et les maintenir en bon état.

Votre appareil est muni de dispositifs de sécurité qui peuvent l'empêcher de fonctionner si les détecteurs déclenchent des conditions anormales comme, par exemple, des conduits d'évacuation encrassés.

## 1.4 RISQUES DE GEL

### AVERTISSEMENT

Si votre appareil demeure fermé durant la saison froide, les conduites d'eau peuvent geler, éclater et provoquer des dégâts d'eau importants. Couper l'alimentation en eau et purger les conduites d'eau.

Si le système de chauffage est laissé sans surveillance durant la saison froide, prendre les précautions suivantes :

- a) Fermer l'entrée d'eau principale de la maison ou de l'édifice et vider les conduites d'eau si cela est possible. Ouvrir les robinets aux endroits requis;
- b) Demander à une personne de vérifier fréquemment durant la saison froide s'il y a suffisamment de chaleur dans la maison ou l'édifice pour éviter que les tuyaux ne gèlent. Suggérer à cette personne d'appeler une agence de service qualifiée si cela est requis.

## 2 INSTALLATION

Cet appareil de chauffage central est une véritable unité multi-position puisqu'il peut fonctionner en débit ascendant, descendant et à l'horizontale avec le débit d'air vers la gauche ou la droite. Seules quelques modifications effectuées lors de l'installation sont requises pour passer d'une position à l'autre. L'appareil de chauffage central est expédié en configuration de débit ascendant et les instructions pour changer aux autres positions sont incluses dans ce manuel.

L'unité requiert un circuit électrique (115VAC) connecté à la boîte de contrôle, un raccordement pour le thermostat tel qu'indiqué sur le schéma électrique, un ou plusieurs raccordements à la ligne de mazout, des conduits adéquats et un raccordement à un événement de dimensions adéquates.

Toutes les exigences requises par les codes locaux et nationaux concernant l'installation d'équipement de chauffage au mazout, les installations électriques et les raccordements de conduits doivent être respectées. Certains codes (émis par l'Institut des standards canadiens) qui pourraient s'appliquer sont :

- CSA B139 :** Code d'installation d'équipements de chauffage au mazout;
- ANSI/NFPA 31 :** Installation d'équipement de chauffage au mazout;
- ANSI/NFPA 90B :** Systèmes de chauffage à air chaud et système d'air climatisé;
- ANSI/NFPA 211 :** Cheminée, Foyers, Événements et appareils de chauffage;
- ANSI/NFPA 70 :** Code National d'électricité;
- CSA C22.1 :** Code Canadien d'électricité;
- ou CSA C22.10**

Seule l'édition la plus récente des codes doit être utilisée.

### 2.1 EMPLACEMENT DE LA FOURNAISE

#### ⚠ MISE EN GARDE

**RISQUE D'INCENDIE OU D'EXPLOSION.**  
**L'appareil doit être installé au niveau. Ne jamais installer avec une inclinaison vers l'avant.**  
**Ne pas ranger ou utiliser d'essence ou toute autre substance inflammable à proximité de l'appareil.**  
**Ne pas se conformer à ces instructions pourrait entraîner la mort ou des dommages corporels et/ou matériels.**

#### AVERTISSEMENT

Cet appareil de chauffage central n'est pas étanche et n'est donc pas conçu pour l'extérieur. L'appareil doit être installé de façon à protéger les composantes électriques de l'eau. Une installation à l'extérieur peut entraîner des conditions électriques hasardeuses et conduire à une défaillance prématurée de l'appareil de chauffage central.

**Les dégagements minimums requis pour chacune des positions de l'appareil de chauffage central (par rapport aux matériaux combustibles) sont spécifiés dans le tableau 9.**

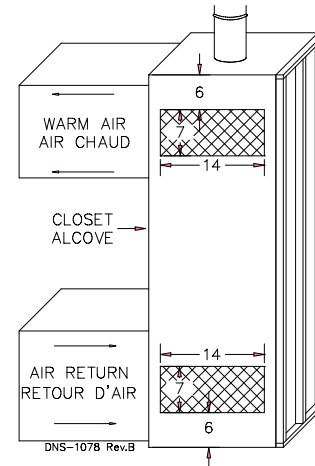
Si l'appareil de chauffage central est installé dans un sous-sol ou sur le sol (dans un vide sanitaire par exemple), il est recommandé d'installer l'unité sur une base en béton de 2.5 cm à 5.0 cm (1" à 2") d'épaisseur. L'unité doit être installée dans un endroit où la température de l'air ambiant et de l'air de retour est supérieure à 15°C (60°F). De plus,

l'unité devrait être située aussi près que possible de la cheminée ou de l'évén, de façon à maintenir les raccordements courts et directs. L'appareil de chauffage central devrait également être situé le plus près possible du centre de distribution d'air du système.

#### 2.1.1 Installation dans un espace clos

L'unité peut être installée dans un espace fermé tel un placard. Cependant, deux ouvertures de ventilation sont requises pour l'air de combustion. Les ouvertures devraient être situées à l'avant de l'appareil de chauffage central, à environ 15 cm (6") du plafond et du plancher de l'espace fermé. La figure 1 indique les dimensions minimales requises et la localisation pour les ouvertures de ventilation.

**Figure 1 – Dimensions & localisation, ouvertures de ventilation dans la porte du placard**

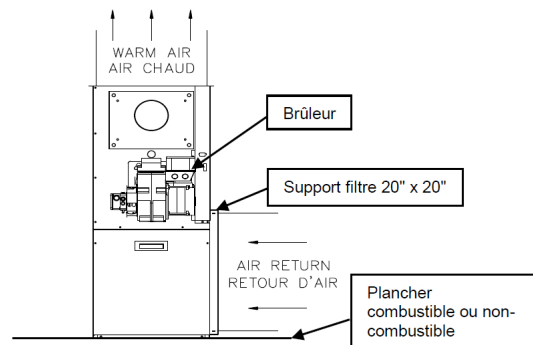


### 2.2 CONFIGURATIONS

#### 2.2.1 Débit ascendant

L'entrée d'air peut se faire d'un côté ou l'autre de la fournaise. Faire l'ouverture en prenant soin de ne pas couper les fils électriques. Installer le support de filtre fourni avec l'unité. Suivre les instructions d'assemblage fournies avec le support de filtre. Il est aussi recommandé d'installer la porte du ventilateur pour manipuler l'unité une fois que l'ouverture est pratiquée dans le côté de l'unité. Référez à la figure 2 pour plus de détails.

**Figure 2 – Débit ascendant**



## 2.2.2 Débit descendant

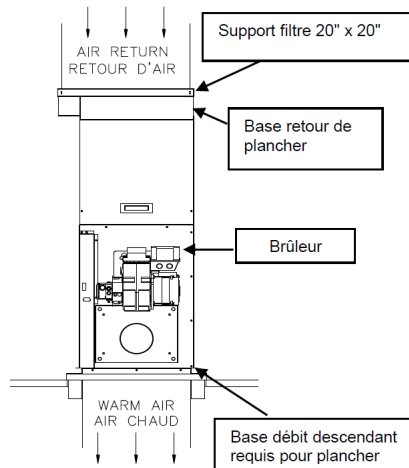
Lorsque l'appareil de chauffage central est installé avec un débit descendant sur un plancher combustible, les dégagements spécifiés par rapport aux matériaux combustibles doivent être respectés. Il est possible d'utiliser la base DFB-102 ou KLASB0801DET afin de s'assurer de respecter ces dégagements. Veuillez-vous référer à la Figure 3 et aux instructions d'installation incluses avec la base pour débit descendant.

dans le cas où l'entrée d'air se fait par le plancher, utiliser la "Base pour un retour par le plancher" FRB-101 ou KLARB0101DET.

Le brûleur doit toujours être installé dans le même sens peu importe l'orientation de la fournaise. Voir Figure 3 pour plus de détails.

**La plaque de protection (B03789) doit être installée sur le couvercle de plastique du brûleur Beckett NX afin de le protéger du tuyau d'évacuation des gaz. C'est requis UNIQUEMENT pour l'AMP098 en position débit descendant.**

Figure 3 – Débit descendant

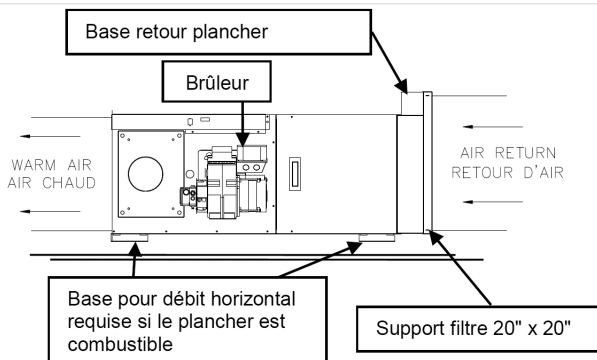


## 2.2.3 Débit horizontal

Lorsque l'appareil de chauffage central est installé avec un débit horizontal vers la gauche ou vers la droite, suspendu au plafond ou installé sur un plancher, les dégagements spécifiés par rapport aux matériaux combustibles doivent être respectés. Si l'appareil est installé sur un plancher combustible, il est possible d'utiliser la base HFB-101 ou KLASB0701DET, afin de s'assurer de respecter les dégagements. Veuillez-vous référer aux instructions d'installation incluses avec la base pour débit horizontal.

Le brûleur doit toujours être installé dans le même sens peu importe l'orientation de la fournaise. Voir Figure 4 pour plus de détails.

Figure 4 – Débit horizontal



## 2.3 RACCORDEMENT ÉLECTRIQUE

### AVERTISSEMENT

L'extérieur de l'unité doit posséder une mise à la terre ininterrompue pour minimiser les risques de blessures corporelles si jamais un problème électrique se produisait. Une vis verte de mise à la terre est incluse dans la boîte de contrôle pour effectuer cette connexion.

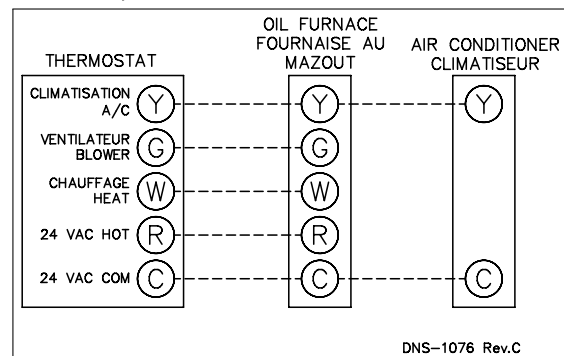
L'appareil doit être installé en respectant la dernière édition ANSI/NFPA 70 du Code électrique national, la Section 1 du Code électrique canadien CSA C22.1 et/ou les codes locaux. Le système de contrôle repose sur la bonne polarité de l'alimentation électrique. Connecter le fil "HOT" (H) et le fil "NEUTRE" (N) tel qu'indiqué aux figures 10 et 11. Un circuit électrique distinct muni d'un interrupteur à fusible ou d'un coupe-circuit devrait être utilisé entre le panneau électrique principal et l'unité.

Utiliser uniquement du fil de cuivre pour du courant de 115V avec cette unité. Si vous remplacez des fils d'origine de l'appareil de chauffage central, utilisez seulement du fil de cuivre résistant à la même température que les fils d'origine.

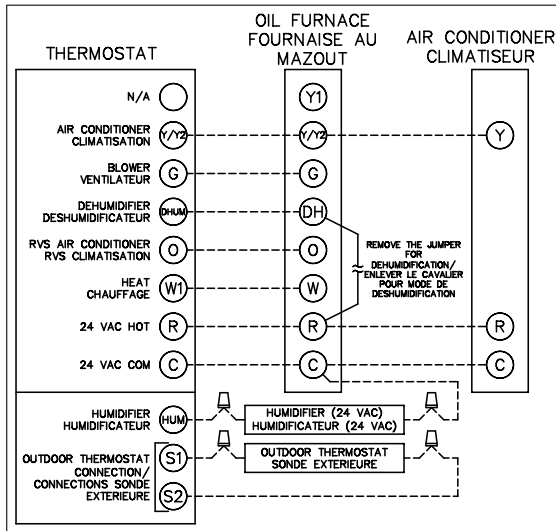
## 2.4 INSTALLATION DU THERMOSTAT

L'installation d'un thermostat de contrôle de la température de l'espace à chauffer est obligatoire. Suivre les instructions d'installation incluses avec le thermostat. Consulter aussi les diagrammes électriques fournis avec les instructions de l'unité de chauffage ou de climatisation. Effectuer les connexions du thermostat telles qu'indiquées sur les figures suivantes, et se référer aussi aux diagrammes électriques, figures 10 et 11.

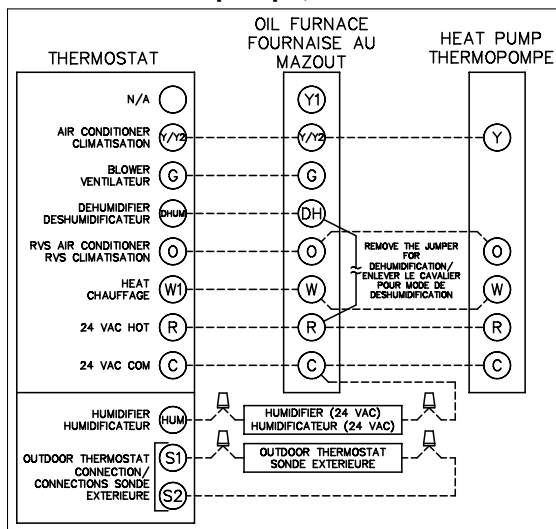
Figure 5 – Branchement du thermostat, chauffage et climatisation, unité avec moteur 4 vitesses



**Figure 6 – Branchement du thermostat, chauffage et climatisation, unité avec moteur ECM**



**Figure 7 – Branchement du thermostat, chauffage et climatisation/thermopompe, unité avec moteur ECM**



**Note:** Sur les unités avec mode de climatisation ou mode thermopompe 2 stages, le terminal Y1 doit être utilisé. Lorsque Y1 du contrôle électronique de la fournaise reçoit un signal 24 VAC, le débit d'air est diminué de 20%. Si une unité extérieure 1 stage est utilisée, ne pas utiliser le terminal Y1.

## 2.5 INSTALLATION DU BRÛLEUR

Veuillez vous référer aux instructions fournies par le fabricant du brûleur pour plus de détails. Le brûleur doit toujours être installé dans le même sens peu importe l'orientation de la fournaise.

1. Positionner le joint d'étanchéité entre la plaque de montage de l'unité et la bride du brûleur. Aligner les trous de la bride du brûleur avec les boulons sur la plaque de montage et fixer le brûleur avec les écrous fournis;
2. Retirer le tiroir du brûleur ou l'assemblage ligne de mazout et électrode ;
3. Installer le gicleur (voir les spécifications de la Table 6) ;
4. Vérifier l'ajustement des électrodes ;

5. Compléter les connexions électriques ;
6. Finaliser les raccords à la ligne de mazout.

### 2.5.1 Gicleurs

Un gicleur approprié est fourni avec le brûleur. Toutefois, si un gicleur de dimension différente ou un remplacement est requis, utiliser les renseignements fournis dans ce manuel concernant l'angle de pulvérisation, les types de gicleurs et leur fabricant (voir Tableau 6). Noter que les calibres des gicleurs sont basés sur une pression de la pompe de 100 psi.

Pour sélectionner le calibre du gicleur, toujours calculer le débit désiré à la pression réelle et déduire le calibre équivalent.

### 2.5.2 Réglage de l'air et du turbulateur

Avant de démarrer le brûleur pour la première fois, régler l'air et le turbulateur selon les réglages inclus dans ce manuel (voir tableau 6). Une fois le brûleur en marche, des ajustements finaux seront requis. Référez à la section 3 de ce manuel.

### 2.5.3 Réglage du délai post purge

Le délai post purge des brûleurs au mazout est ajusté en usine à zéro seconde. Ce délai est applicable pour toutes les installations avec une évacuation par cheminée. Pour les unités de chauffage avec systèmes d'évacuation murale directe et équipées d'un brûleur avec un délai post purge, le délai post purge doit être ajusté à 15 secondes. Aucun délai n'est requis pour les brûleurs Riello. Se référer au manuel d'instruction et marquages du contrôle du brûleur pour plus de détail concernant l'ajustement du délai post purge.

## 2.6 ÉVACUATION

### ⚠ MISE EN GARDE

**Risque d'empoisonnement par monoxyde de carbone. Lire et suivre toutes les instructions contenues dans cette section. Ne jamais installer un volet manuel sur le tuyau d'évacuation. Cependant, un volet motorisé à fonctionnement automatique approuvé par une agence certifiée peut être installé si désiré. Suivre les instructions d'installation fournies avec le volet motorisé. Si cette fournaise ou d'autres appareils ne sont pas adéquatement évacués, cela peut entraîner la mort ou des dommages corporels et/ou matériels.**

Pour assurer un fonctionnement sécuritaire et satisfaisant, les appareils fonctionnant au mazout devraient toujours être raccordés à des tuyaux dont le tirage est suffisant ou à un système d'évacuation mural approuvé. De plus, il est fortement recommandé de faire une inspection complète de tous les systèmes d'évacuation déjà existants.

### 2.6.1 Cheminée de maçonnerie

L'évacuation de cet appareil de chauffage central peut se faire dans une cheminée de maçonnerie existante, mais ne doit pas se faire dans une cheminée servant déjà à l'évacuation d'un appareil de chauffage au combustible solide.

Avant l'évacuation de l'appareil dans une cheminée, vérifier l'état de la cheminée et effectuer les réparations nécessaires. Le recouvrement et les dimensions de la cheminée doivent respecter les normes des codes locaux ou nationaux.

## 2.6.2 Cheminée fabriquées en usine

Les appareils de chauffage central au mazout sont certifiés pour fonctionner avec des **évents de type "L"**. L'appareil peut également être installé avec une cheminée certifiée de dimensions et de températures adéquates, telles que spécifiées dans les codes d'installation. Se référer aux instructions du fabricant de la cheminée pour une installation adéquate.

## 2.6.3 Régulateur de tirage

Il est recommandé d'installer un régulateur barométrique sur les installations avec un tirage de cheminée élevé, ou avec un tirage variant avec les conditions extérieures. Suivre les instructions d'installation fournies avec le régulateur de tirage pour l'installation.

## 2.6.4 Évacuation directe murale & Maison mobile / véhicule récréatif

L'unité de chauffage est approuvée avec un système d'évacuation directe murale. Ce système comprend un évacuateur mural modèle VTK-54 / VTK-098 / KLAVT0101DET et un tuyau d'évacuation isolé de 4" de diamètre, modèle IFV-410 / IFV098-10 / KLAFFV0101DET, IFV-420 / IFV098-20 / KLAFFV0201DET. Veuillez vous référer aux instructions d'installation accompagnant le système d'évacuation pour plus de détails.

L'évacuation directe murale est requise pour l'installation dans une maison mobile ou un véhicule récréatif. Pour une telle installation, l'air de combustion ne doit pas provenir d'un espace occupé.

Lorsque la fournaise est installée dans une maison mobile déplaçable ou un véhicule récréatif, elle doit être fixée au plancher ou au mur avec des fer-angles vissés au côtés de la fournaise et au plancher (ou au mur). La fournaise et le brûleur doivent être éteints et la valve de la ligne de mazout fermée lors d'un déplacement.

## 2.7 DISPOSITIF D'ARRÊT ANTI-REFOULEMENT (BVSO) POUR ÉVACUATION PAR CHEMINÉE

### AVERTISSEMENT

Le dispositif doit obligatoirement être installé par un technicien qualifié.

Un système d'évacuation fonctionnant en pression positive (combustion scellée ou évacuation directe) NE DOIT PAS utiliser le BVSO. Suivre les instructions fournies avec le système d'évacuation.

Le dispositif est conçu pour détecter une mauvaise évacuation des gaz de combustion lorsque le tuyau d'évacuation est bouché. Lors d'une anomalie au niveau de l'évacuation, le refoulement des produits de combustion à l'interrupteur thermique permet l'arrêt du brûleur au mazout. Le dispositif requiert une remise en fonction manuelle.

Pour l'installation et le câblage électrique référer aux diagrammes électriques de l'unité et aux instructions détaillées fournies avec le dispositif d'arrêt anti-refoulement. Pour que le câblage électrique fourni avec l'unité soit suffisamment long, il est important que le dispositif d'arrêt soit installé entre la sortie d'évacuation de l'unité et le régulateur de tirage tel qu'indiqué sur les instructions fournies avec le dispositif d'arrêt anti-refoulement.

Le dispositif d'arrêt doit aussi faire l'objet d'un entretien annuel. Référer aux instructions fournies avec le dispositif ainsi que la section 5 de ce

manuel pour plus de détails.

## 2.7.1 Vérification du dispositif d'arrêt anti-refoulement

Cette vérification sert à valider le bon fonctionnement de la prise BVSO sur l'unité de chauffage seulement.

1. Faire fonctionner le brûleur ;
2. Débrancher la prise à 3 pôles identifiée BVSO sur l'unité;
3. Le brûleur doit s'arrêter immédiatement tandis que le ventilateur continue de fonctionner jusqu'à la fin du cycle de refroidissement.

Si le fonctionnement n'est pas conforme, APPELER UN TECHNICIEN QUALIFIÉ.

## 2.8 ALIMENTATION EN AIR DE COMBUSTION ET VENTILATION

### MISE EN GARDE

**RISQUE D'EMPOISONNEMENT PAR MONOXYDE DE CARBONE.**  
**Référer aux codes d'installation des appareils au mazout ANSI/NFPA 31 (aux États-Unis) ou CSA B139 (au Canada) et aux codes locaux pour fournir l'air de combustion et de ventilation.**  
**Une quantité insuffisante d'air peut occasionner une flamme malpropre, des odeurs dans la maison, le refoulement des appareils de combustion et peut entraîner des nausées, l'asphyxie et/ou la mort des occupants.**

L'appareil de chauffage central nécessite un approvisionnement adéquat en air de combustion. Il est fréquent de considérer que les vieilles maisons comportent suffisamment d'infiltrations d'air pour combler les besoins en air de combustion de l'appareil de chauffage central. Toutefois, les projets d'améliorations telles les nouvelles portes et fenêtres et le calfeutrage ont dramatiquement réduit le volume des infiltrations d'air pénétrant dans les maisons.

Se référer aux codes d'installation des appareils au mazout pour une alimentation en air de combustion et ventilation adéquate. Vous pouvez consulter la Section 2.1.1 de ce manuel pour les installations dans un espace restreint

On retrouve plusieurs types de systèmes d'évacuation d'air de la maison. Les ventilateurs de cuisine et de salles de bain, les sècheuses électriques, les chauffe-eau et les échangeurs d'air peuvent créer une pression négative dans la maison. Si une pression négative se produit dans la maison, la cheminée devient de moins en moins efficace et peut facilement refouler l'air. Dans certains cas, un apport d'air mécanique (ventilateur) entrebarré avec l'appareil est nécessaire. Il est de la responsabilité de l'installateur de vérifier ceci.

### 2.8.1 Air de combustion contaminé

L'installation dans certains environnements ou bâtiments peut augmenter les risques d'exposition aux agents chimiques ou halogènes qui peuvent endommager l'unité. Celles-ci requièrent un apport d'air de combustion extérieur.

Les environnements ou bâtiments suivants peuvent contenir ou être exposés aux substances décrites plus bas. L'installation doit être évaluée attentivement pour vérifier si l'air de combustion doit provenir de l'extérieur.

1. Bâtiments commerciaux ;
2. Bâtiments avec piscines intérieures ;

3. Appareil installé à proximité de zones d'entreposage d'agents chimiques.

Exposition à ces agents chimiques :

- a) Solutions pour cheveux ;
- b) Cires et nettoyeurs à base de chlore ;
- c) Agents chimiques pour piscine à base de chlore ;
- d) Agents chimiques adoucisseurs d'eau ;
- e) Sels ou agents chimiques pour le déglacage ;
- f) Tétrachlorure de carbone ;
- g) Fluides frigorigènes halogénés ;
- h) Solvants de nettoyage (perchloroéthylène) ;
- i) Encres pour l'impression, diluants à peinture, vernis, etc. ;
- j) Acide chlorhydrique ;
- k) Colles à base de solvant ;
- l) Adoucisseur antistatique pour sècheuse à linge ;
- m) Acides de nettoyage pour maçonnerie.

## 2.8.2 Brûleur – Air de combustion extérieur

Certains brûleurs sont conçus pour permettre un apport en air de combustion extérieur directement au brûleur. Suivre les instructions d'installation qui accompagnent le brûleur, l'ensemble d'approvisionnement en air ou l'ensemble d'évacuation murale.

## 2.9 RÉSERVOIR DE MAZOUT

### ! MISE EN GARDE

**Risque de feu ou d'explosion.**

**Utiliser seulement du mazout à chauffage approuvé. NE PAS UTILISER de l'essence, du kérosène ou des huiles usées. Leur utilisation peut entraîner la mort ou des dommages corporels et/ou matériels.**

### AVERTISSEMENT

Lorsqu'un gicleur d'une dimension de 0.75 USGPH ou moins est utilisé, un filtre d'une dimension de 10 microns ou moins doit être installé sur la ligne de mazout.

Ceci doit être suivi pour que la garantie de l'échangeur de chaleur soit valide.

Consulter les codes locaux et nationaux pour l'installation des réservoirs et accessoires.

Au début de chaque saison de chauffage ou à chaque année, vérifier l'ensemble du système de distribution de mazout afin de détecter toute présence de fuite.

S'assurer que le réservoir de mazout est rempli avec de l'huile propre. N'utiliser que du mazout No.1 ou No.2 (ASTM D396).

Une valve d'arrêt manuel et un filtre au mazout doivent être installés dans cet ordre à partir du réservoir vers le brûleur. S'assurer que le conduit de mazout est propre avant de faire le raccordement au brûleur. Le conduit de mazout doit être protégé pour éviter un dommage à celui-ci. Les installations ayant un réservoir de mazout situé sous le niveau du brûleur doivent utiliser une ligne de retour de mazout vers le réservoir avec une pompe appropriée (une élévation de 2.4 m (8') et plus, requièrent une pompe deux stages et une élévation de plus de 4.9 m (16'), une pompe auxiliaire). Suivre les directives d'installation de la pompe pour déterminer la dimension du conduit à utiliser en fonction de l'élévation du brûleur et de la distance horizontale à parcourir.

## 2.10 SYSTÈME DE DISTRIBUTION D'AIR

### ! MISE EN GARDE

**Risque d'intoxication au monoxyde de carbone.**

**NE PAS installer de retour d'air dans un placard ou une salle de rangement. Le conduit de retour d'air DOIT être étanche sur la fournaise.**

**Le fait de ne pas avoir de conduits étanches peut entraîner la mort, des blessures et/ou des dommages matériels.**

Construire et installer le système de distribution d'air conformément aux méthodes approuvées par les codes locaux et nationaux.

Lorsque les conduits d'alimentation d'air transportent l'air dans un autre espace que celui où la fournaise est installée, les conduits de retour doivent être étanches et dirigés dans un autre espace que celui de l'appareil.

### 2.10.1 Filtre à air

Un filtre à air de type et de dimension appropriée doit obligatoirement être installé dans le retour d'air de l'unité. Référer aux spécifications techniques, tableau 6, pour les dimensions appropriées, ainsi qu'à la section 2.2 et aux instructions fournies avec le support de filtre.

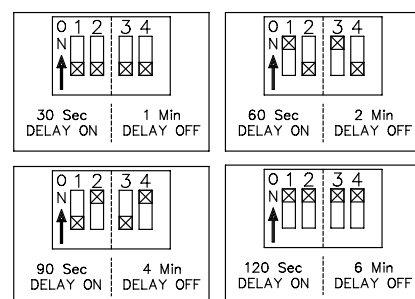
## 2.11 AJUSTEMENT DES DÉBITS D'AIR DE VENTILATION (MOTEUR 4 VITESSES)

Sur les unités équipées de moteur de ventilateur 4 vitesses, il faut vérifier que le débit d'air est ajusté en fonction de la puissance de chauffage et de climatisation, ainsi qu'en fonction des pressions statiques du système de distribution d'air. Consulter le tableau 1 pour les débits d'air de ventilation suggérés. Se référer aussi au tableau 8 des débits d'air en fonction de la pression statique 'Spécifications techniques'.

Pour faire l'ajustement, les fils ROUGE (chauffage) et BLEU (climatisation & thermopompe) peuvent être déplacés sur le moteur. Vérifier aussi que la position des fils sur le contrôle électronique de l'unité est telle que spécifiée sur le diagramme électrique. Si la vitesse de chauffage et de climatisation est identique le fil ROUGE doit être déplacé sur "UNUSED LEADS" du contrôle électronique et le cavalier fourni avec le fil BLEU doit être utilisé entre les terminaux "HEAT" et "COOL".

Les délais de départ et d'arrêt du ventilateur peuvent être ajustés en positionnant les interrupteurs DIP de la carte électronique tel que montré sur les figures suivantes. Le délai ON recommandé est de 60 secondes et le délai OFF de 2 minutes.

**Figure 8 – Délais de départ et d'arrêt du ventilateur- Carte#1158 Board**



DNS-1080 Rev. A

**Table 1 – Ajustement des vitesses de ventilation - moteur 4 vitesses**

APPLICATION FOURNAISE	CAPACITÉ DE CHAUFFAGE OU CLIMATISATION	VITESSE DE VENTILATION RECOMMANDÉE
CHAUFFAGE	0.50 USGPH	MED-LOW
	0.60 USGPH	MED-HIGH
	0.70 USGPH	HIGH
A/C	2.0 TONNES	MED-LOW
	2.5 TONNES	MED-HIGH
	3.0 TONNES	HIGH

## 2.12 AJUSTEMENT DES DÉBITS D’AIR DE VENTILATION (MOTEUR À VITESSE VARIABLE ECM)

Sur les unités équipés d'un moteur de ventilateur à vitesse variable de type ECM, il faut vérifier que le débit d'air est ajusté en fonction de la

puissance de chauffage et de climatisation. Les délais de départ et d'arrêt du ventilateur en mode chauffage doivent aussi être ajustés en positionnant les interrupteurs DIP du contrôle électronique. Consulter les tableaux 2 et 5 de la page 8 et la figure 11 pour faire les ajustements adéquats.

**Table 2 – Ajustements des débits d’air en mode chauffage\_moteur ECM**

SW1-HEAT(Chauffage) Positions interrupteurs DIP			Consommation USGPH
1	2	POSITION	
OFF	OFF	A	0.70
ON	OFF	B	0.60
OFF	ON	C	0.50
ON	ON	D	ALL

**Table 3 – Ajustements des débits d’air en mode climatisation\_moteur ECM**

SW2-COOL(Climatisation) Positions interrupteurs DIP			Consommation USGPH
1	2	POSITION	
OFF	OFF	A	3.0
ON	OFF	B	2.5
OFF	ON	C	2.0
ON	ON	D	1.5

**Table 4 – Ajustements des débits d’air tous modes\_moteur ECM**

SW3-ADJ (Ajustement) Positions interrupteurs DIP			CFM Chauffage % augmentation ou réduction	CFM Climatisation % augmentation ou réduction
1	2	POSITION		
OFF	OFF	A	0%	0%
ON	OFF	B	10%	10%
OFF	ON	C	-10%	-10%
ON	ON	D	N/A	0%

**Table 5 – Ajustement des délais\_moteur ECM**

SW4-Delay(Délai) Positions interrupteurs DIP			Consommation USGPH
1	2	POSITION	
OFF	OFF	A	0.70
ON	OFF	B	0.60
OFF	ON	C	0.50
ON	ON	D	ALL



## 2.13 INSTALLATION D'ÉQUIPEMENTS CONNEXES

### MISE EN GARDE

#### RISQUE DE DÉCHARGE ÉLECTRIQUE.

Interrompre le courant électrique (OFF) au panneau électrique avant d'effectuer un raccordement électrique et s'assurer qu'une mise à la terre est installée avant de mettre l'appareil sous tension.

Le fait de ne pas effectuer cette manipulation peut entraîner la mort des blessures et/ou des dommages corporels.

### 2.13.1 Humidificateur (HUM)

Le terminal HUM – 120 VAC sur le contrôle électronique du ventilateur. Il fournit une tension 120 VAC lorsque le brûleur au mazout est en fonction.

Un signal 24 VAC peut aussi être fourni à partir des terminaux W et C du contrôle électronique du ventilateur pour activer un relais de commutation.

Suivre aussi les instructions fournies avec l'accessoire.

### 2.13.2 Filtre électronique (EAC)

Le terminal EAC sur le contrôle électronique de l'appareil fournit un signal 120 VAC lorsque le ventilateur fonctionne en mode chauffage ou climatisation. Ce signal peut être utilisé pour activer un filtre électronique qui n'est pas équipé d'interrupteur de débit d'air. Si le filtre est équipé d'un interrupteur de débit d'air, le terminal S du contrôle électronique PSC ou un des terminaux 120 VAC du contrôle électronique ECM peut être utilisé comme alimentation 120 VAC constante.

Suivre aussi les instructions fournies avec l'accessoire.

### 2.13.3 Unité de climatisation (ou thermopompe)

Un serpentin pour la climatisation doit être installé sur l'alimentation d'air chaud seulement.

### MISE EN GARDE

#### RISQUE D'INTOXICATION AU MONOXYDE DE CARBONE.

Installer un serpentin de climatisation (évaporateur) du côté des conduits d'alimentation en air chaud.

Un serpentin installé du côté du retour d'air peut causer de la condensation et un bris prématuré de l'échangeur de chaleur. Ceci peut entraîner la mort, des blessures et/ou des dommages matériels.

Un espace minimum de 15 cm (6") est requis entre le dessous du serpentin de climatisation et le dessus de l'échangeur de chaleur. Si une thermopompe est installée, un thermostat "bi-énergie" ou un autre contrôle est requis pour prévenir l'opération simultanée de la fournaise et de la thermopompe. Il prévient aussi la transition directe du mode de chauffage thermopompe au mode de chauffage au mazout. Référez aux instructions du thermostat ou du contrôle pour un branchement adéquat.

Si un compartiment de ventilateur de serpentin est utilisé, installez des amortisseurs d'air automatiques motorisés étanches. L'air froid provenant du serpentin et passant à travers la fournaise peut entraîner

de la condensation et de ce fait diminuer la durée de vie de l'échangeur d'air.

## 3 OPÉRATION

### 3.1 MISE EN MARCHÉ

#### AVERTISSEMENT

NE PAS DÉMARRER LA FOURNAISE SANS QUE LA PORTE D'ACCÈS DU VENTILATEUR SOIT EN PLACE.

Avant de démarrer l'unité de chauffage s'assurer que les requis suivants sont rencontrés :

- 1) De la conformité de l'installation électrique, du système de distribution d'huile, du système d'évacuation des gaz, d'admission d'air et du système de ventilation ;
- 2) La porte d'accès au ventilateur et les vis de blocage sont bien en place ;
- 3) Le système d'arrêt anti-refoulement BVSO est installé conformément aux instructions (évacuation par cheminée) ;
- 4) La valve pour l'alimentation en huile est ouverte ;
- 5) Le bouton "Reset" du brûleur est bien enfoncé ou réarmé ;
- 6) L'ajustement d'air préliminaire du brûleur est conforme aux tableaux des spécifications de ce manuel ;
- 7) L'ajustement des vitesses de ventilation en chauffage et climatisation sont adéquats et selon les spécifications de ce manuel ;
- 8) Les délais de départ et d'arrêt du ventilateur sont réglés de façon satisfaisante ;
- 9) Le thermostat de la pièce est en mode chauffage et est réglé à une température supérieure à la température ambiante.

Pour démarrer l'unité mettre l'interrupteur électrique principal à "ON".

### 3.2 SÉQUENCE DE FONCTIONNEMENT EN MODE CHAUFFAGE AU MAZOUT

- 1) Le contact W - R du thermostat ferme ;
- 2) Le moteur du brûleur démarre pour faire un conditionnement de la chambre de combustion (pre-purge) pour une période d'environ 10 à 15 secondes. Une étincelle au niveau des électrodes est aussi établie durant cette période ;
- 3) La valve solénoïde ouvre et la flamme est établie. L'étincelle pour l'ignition s'éteint peu de temps après ;
- 4) Le ventilateur de l'unité démarre à plein régime peu de temps après le départ du brûleur. Le délai du départ dépend des ajustements sur la carte électronique qui contrôle le moteur du ventilateur. Référez aux sections 2.11 et 2.12 et au tableau 7 des CFM pour plus de détails ;
- 5) La demande de chauffe est satisfaite. La valve solénoïde ferme, la flamme s'éteint et le moteur du brûleur s'arrête (après le délai post-purge si applicable) ;
- 6) Le ventilateur de l'unité s'arrête peu de temps après l'arrêt du brûleur. Le délai d'arrêt dépend de l'ajustement sur la carte électronique qui contrôle le moteur du ventilateur. Référez aux sections 2.11 et 2.12 et au tableau 7 des CFM pour plus de détails.

**Note :** La séquence détaillée de fonctionnement des brûleurs au mazout est incluse avec les instructions accompagnant le brûleur.

## 3.3 VÉRIFICATIONS ET AJUSTEMENTS

### 3.3.1 Purge de la ligne de mazout

Ouvrir la valve de purge de mazout sur la pompe au mazout et démarrer le brûleur. Laisser au mazout le temps de s'écouler (environ 10 secondes). Lorsque le mazout coule absolument libre de bulle d'air, fermer la valve de purge. Ceci indique qu'il n'y a pas introduction d'air dans la ligne d'entrée de mazout (suction). Suite à la fermeture de la valve, la flamme s'allumera.

### 3.3.2 Ajustement de la pression

Ajuster la pression de mazout selon les spécifications techniques de ce manuel. Une vis d'ajustement et un emplacement pour une gauge de pression sur la pompe au mazout du brûleur sont prévus à cet effet. Se référer au manuel d'instruction du brûleur.

### 3.3.3 Vérification de la combustion

#### IMPORTANT

Les surfaces métalliques de l'échangeur peuvent contenir de l'huile et l'isolation des déflecteurs contient des liants. Ces produits brûlent ou s'évaporent lorsque l'unité fonctionne pour la première fois. Pour cette raison, la lecture de fumée peut être faussée durant les premières minutes de fonctionnement. Il est donc important que l'unité fonctionne durant au moins 60 minutes avant de prendre des lectures permettant l'ajustement de la qualité de combustion.

#### IMPORTANT

La vérification de la combustion DOIT être effectuée après un remplacement du gicleur ou après un nettoyage du brûleur. Après ces manipulations, les paramètres de combustion sont nécessairement modifiés. Référer aussi au manuel d'instructions accompagnant le brûleur.

1. Faire une ouverture de diamètre minimum appropriée dans le tuyau de raccordement à environ 18 pouces de la bride d'évacuation de la fournaise. Pour les installations avec une évacuation murale, utiliser l'orifice prévu à cet effet;
2. Après un départ à froid, laisser fonctionner l'unité environ 5 minutes;
3. Ajuster l'air au brûleur pour avoir une lecture de fumée Bacharach entre 0 et 1 (ou une "trace");
4. Faire le test de CO<sub>2</sub> à la même localisation et prendre en note la lecture. Exemple : 13.8% de CO<sub>2</sub> ou 2.5% d'O<sub>2</sub>;
5. Ajuster la quantité d'air pour obtenir une lecture du CO<sub>2</sub> de 1.5% de moins (ou O<sub>2</sub> de 2% de plus) que la lecture correspondant à une lecture de fumée Bacharach de une "trace". Exemple : 12.3% de CO<sub>2</sub> ou 4.5% d'O<sub>2</sub>;
6. Cette méthode pour ajuster le brûleur permet une combustion propre (lecture de fumée de 0 à une "trace") et assure un bon fonctionnement du système. Le niveau de CO<sub>2</sub> optimal est autour de 12% à 13% (3.5% à 5.0% d'O<sub>2</sub>).

### 3.3.4 Ajustement du régulateur de tirage

Pour les installations avec cheminée, afin d'assurer un tirage adéquat dans l'appareil de chauffage central, installer le régulateur de tirage barométrique fourni avec l'appareil. Pour que ce régulateur fonctionne correctement, monter les goupilles ("pins") à l'horizontale et le devant du régulateur à la verticale (voir les instructions incluses avec le

régulateur). Ajuster le régulateur de tirage après que l'appareil ait fonctionné au moins cinq minutes à une valeur située entre -0.025" et -0.060" W.C.

### 3.3.5 Test de pression au dessus du feu

La pression au-dessus de la flamme, mesurée à travers la fenêtre d'observation (située au centre, au dessus du brûleur, dans le panneau avant de l'appareil de chauffage central), est requise pour déterminer s'il y a un blocage dans l'échangeur de chaleur ou le tuyau. Les valeurs de pression sont inscrites dans le tableau des spécifications techniques. Une pression excessive peut être causée soit par une combustion d'air excessive due à une bande d'air trop ouverte, par un manque de tirage (effet cheminée), par un blocage quelconque, comme de la suie dans la section secondaire de l'échangeur de chaleur, par l'utilisation d'un gicleur trop gros ou par une pression de pompe au mazout trop élevée.

### 3.3.6 Test de la température de l'évent

1. Après avoir ajusté la combustion au brûleur, insérer un thermomètre dans l'orifice de test, situé dans le tuyau de raccordement (évacuation par cheminée);
2. La température globale de l'évent devrait se situer entre 204 et 302 °C (400 et 575 °F). Si ce n'est pas le cas, vérifier la hausse de température de l'air, la pression dans la pompe et le calibre du gicleur et s'assurer qu'il n'y a pas de suie dans l'échangeur de chaleur.

#### AVERTISSEMENT

Une température basse augmente les risques de condensation. Ajuster la température globale à 204 °C (400 °F) ou plus haute pour que la garantie de l'échangeur soit valide.

### 3.3.7 Test de hausse de température

1. Faire fonctionner le brûleur pendant au moins 10 minutes;
2. Mesurer la température de l'air dans le plénum de retour d'air;
3. Mesurer la température de l'air au plus large embranchement sortant du plénum d'alimentation en air, situé juste en dehors de la ligne de radiation provenant de l'échangeur de chaleur ; une distance de 0.3 m (12") du plénum devrait être suffisante ;
4. Calculer la hausse de température en soustrayant la température de l'air d'alimentation moins la température de l'air de retour ;
5. Si la hausse de température est supérieure ou inférieure à la valeur spécifiée dans le tableau 6, ajuster la vitesse du ventilateur au réglage supérieur ou inférieur suivant, jusqu'à ce que la hausse de température corresponde à celle des spécifications. Si la hausse de température excessive semble irrémédiable, s'assurer qu'il n'y a pas de restrictions dans les conduits, un filtre à air inadéquat, une pression inadéquate dans la pompe ou un calibre de gicleur inadéquat.

### 3.3.8 Vérification des limiteurs de température

Après que l'appareil de chauffage central ait fonctionné durant au moins 15 minutes, restreindre l'entrée d'air en bloquant les filtres ou en fermant les registres de retour d'air et laisser les limiteurs de température éteindre l'appareil de chauffage central. Le brûleur s'éteindra (hors tension) et le ventilateur principal devrait continuer à fonctionner.

Enlever la restriction et le brûleur devrait se rallumer en quelques minutes. Le temps requis pour le démarrage du brûleur dépend aussi, dans ce cas, de l'ajustement du délai « OFF » du ventilateur.

### 3.3.9 Démarrage après défaillance du brûleur

1. Ajuster le thermostat en bas de la température ambiante ;
2. Pousser le bouton de réarmement du contrôle primaire du brûleur ;
3. Ajuster le thermostat au-dessus de la température ambiante ;
4. Si l'allumage ne s'effectue pas, couper l'alimentation électrique et APPELER UN TECHNICIEN QUALIFIÉ.

#### AVERTISSEMENT

Ne pas démarrer le brûleur lorsqu'il y a un excès de mazout accumulé, des vapeurs de mazout ou que la chambre à combustion est très chaude.

## 4 ENTRETIEN

Les services d'entretien fréquents éviteront les bris prématurés et les inconvénients. Faire inspecter le système de chauffage et le brûleur à des intervalles réguliers ou après une période d'arrêt prolongée par un technicien qualifié.

Pour maintenir la fiabilité et la performance optimale de l'unité, effectuer une vérification complète de la combustion après chaque entretien annuel. Ne pas tenter de réparer l'unité ou les contrôles de l'appareil. Appeler un technicien qualifié  
TOUJOURS FERMER LA VALVE DE LA LIGNE DE MAZOUT SI LE BRÛLEUR N'EST PAS UTILISÉ POUR UNE PÉRIODE PROLONGÉE.

**Avant d'appeler pour un service de réparation, vérifier les points suivants :**

1. Vérifier le niveau de mazout du réservoir et si le robinet d'arrêt est ouvert;
2. Vérifier les fusibles et disjoncteur;
3. Vérifier si l'interrupteur d'alimentation principal de la fournaise est en position "ON";
4. Ajuster le thermostat au-dessus de la température ambiante;
5. Si l'allumage du brûleur ne s'effectue pas, couper l'alimentation électrique et appeler un technicien qualifié.

**Pour commander une pièce de remplacement, spécifier le numéro de modèle et le numéro de série de votre appareil.**

### 4.1 NETTOYAGE DE L'ÉCHANGEUR DE CHALEUR

En général, il n'est pas nécessaire de nettoyer l'échangeur de chaleur ou le tuyau à fumée tous les ans, mais il est recommandé de faire vérifier votre unité par un technicien qualifié avant chaque saison de chauffage afin de déterminer si le nettoyage ou le remplacement de certaines composantes est requis.

Si un nettoyage est nécessaire, les étapes suivantes devraient être effectuées :

1. **Éteindre (position "OFF") tous les appareils en amont de l'appareil de chauffage central;**
2. Déconnecter le tuyau d'évacuation;
3. Enlever la bride d'évacuation des gaz, située à l'avant de l'appareil de chauffage central;
4. Enlever les déflecteurs de l'échangeur;
5. Déconnecter la ligne de mazout et sortir le brûleur au mazout de l'appareil de chauffage central ;

6. Nettoyer les différentes parties de l'échangeur à l'aide d'une brosse rigide et d'un aspirateur;
7. Avant le réassemblage, inspecter l'échangeur de chaleur et la chambre de combustion afin de déterminer leurs états;
8. Après le nettoyage, replacer les déflecteurs, la bride d'évacuation et le brûleur au mazout. Reconnecter le tuyau à fumée et la conduite de mazout;
9. Réajuster le brûleur pour qu'il fonctionne adéquatement.

### 4.2 NETTOYAGE DU DISPOSITIF D'ARRÊT ANTI-REFOULEMENT (BVSO)

Pour un fonctionnement continu et sûr, le dispositif d'arrêt doit être inspecté et entretenu chaque année par un technicien qualifié.

1. Couper l'alimentation électrique à l'unité;
2. Dévisser les deux vis qui fixent le couvercle du dispositif d'arrêt;
3. Enlever le couvercle;
4. Enlever les deux vis qui maintiennent le boîtier de commande à l'ensemble du tube de transfert de chaleur. En glissant le boîtier de commande dans la bonne direction, le tube de transfert de chaleur se détachera;
5. Enlever soigneusement toute accumulation de saleté de la surface de l'interrupteur thermique;

#### AVERTISSEMENT

Ne pas érafler ou égratigner la surface de l'interrupteur thermique. Un interrupteur thermique endommagé doit être remplacé.

6. Nettoyer et enlever toute accumulation de saleté ou obstruction de l'intérieur du tube de transfert de chaleur;
7. Remonter, verrouiller et fixer le boîtier de commande à l'aide des 2 vis qui avait été enlevées à l'étape 4;
8. Remettre en place le couvercle de l'ensemble avec les vis enlevées à l'étape 2;
9. Remettre l'alimentation électrique.

### 4.3 NETTOYAGE DE LA TÊTE DU BRÛLEUR

Une fois par année, retirer l'assemblage de la ligne d'huile et des électrodes du brûleur. Nettoyer la tête de rétention et les électrodes si nécessaire. Nettoyer aussi l'extrémité du tube du brûleur si nécessaire.

### 4.4 REMPLACEMENT DU GICLEUR

Une fois par année, remplacer le gicleur par celui spécifié au tableau 6.

## 4.5 REMPLACEMENT DU FILTRE À L'HUILE

### **Filtre du réservoir**

Remplacer le filtre du réservoir au besoin. Suivre les instructions du fabricant.

### **Filtre secondaire**

Remplacer les cartouches des filtres de 10 microns (ou moins) une fois par année. Suivre les instructions du fabricant.

## 4.6 REMPLACEMENT DU FILTRE À AIR

Des filtres sales ont une incidence sur l'efficacité de l'appareil de chauffage central et augmentent la consommation de mazout.

Les filtres à air devraient être remplacés ou nettoyés, au minimum, une fois par année. La présence de poils d'animaux, de poussière, etc., peuvent nécessiter des changements de filtres plus fréquents.

## 5 FICHE TECHNIQUE DE L'APPAREIL

Modèle: ..... Numéro de série: .....

Date d'installation de la fournaise: .....

Nos. tél. service – Jour : ..... Soir: .....

Nom et adresse du technicien de service: .....

.....

.....

### **RÉSULTATS DU TEST DE MISE EN MARCHÉ**

Gicleur: ..... Pression: ..... lb/po2

Ajustements du brûleur: Bande principale .....

Bande secondaire .....

Position de la tête .....

% CO2: ..... Indice de fumée: ..... (Bacharach)

Température des gaz à l'évacuation: ..... °F

Température ambiante: ..... °F

Tirage dans la cheminée: ..... " W.C.

Tirage ou pression au-dessus du feu: ..... " W.C.

Examiné par: .....

# 6 SPÉCIFICATIONS TECHNIQUES

Table 6 – Spécifications techniques

Modèles multiposition, Série 098	UNITÉS AVEC MOTEUR 1/3HP PSC.			UNITÉS AVEC MOTEUR 1/2HP ECM	
<b>TAUX ET PERFORMANCE</b>					
Allure de chauffe(USGPH)*	0,50	0,60	0,70	0,50	0,60
Consommation (BTU/h)*	70 000	84 000	98 000	70 000	84 000
Puissance de chauffage maximum (BTU/h)*	59 000	70 000	81 000	59 000	70 000
Hausse de température de l'air (Degr. F)*	55 - 85 Degr. F			55 - 85 Degr. F	
Pression tuyau fumée avec cheminée (pouce c.e.)	-0,06 to -0,025			-0,06 to -0,025	
Pression dessus feu avec cheminée (pouce c.e.)	-0,035 to +0,010			-0,035 to +0,010	
Pression tuyau fumée, évacuation directe (pouce c.e. - sans vent)	+0,05 to +0,20			+0,05 to +0,20	
Pression dessus feu, évacuation directe (pouce c.e. - sans vent)	+0,03 to +0,15			+0,03 to +0,15	
<b>BRÛLEUR BECKETT; MODÈLE AFG (Cheminée)</b>	<b>AFG70MQSS</b>			<b>AFG70MQSS</b>	
Longueur d'insertion du tube du brûleur (pouces)	1 3/4"			1 3/4"	
Type de tête	2 Slots - L2 head			2 Slots - L2 head	
Gicleur (Delavan)**	0.40 - 60A	<b>0.50 - 60A</b>	0.60 - 60B	0.40 - 60A	<b>0.50 - 60A</b>
Défecteur de bas régime	Oui (5580)	Oui (5580)	Non	Oui (5580)	Oui (5580)
Pression de la pompe (PSIG)*	175	150	140	175	150
Ajustement air de combustion (volet/bande)	4/0	8/0	5/0	4/0	8/0
AFUE % (À partir du standard CSA B212 et des lois canadiennes)***	85.6%	85.6%	84.3%	‡ 85.6%	‡ 85.6%
AFUE % (À partir du standard ASHRAE 103 et des lois américaines)***	85.2%	85.1%	83.9%	‡ 85.2%	‡ 85.1%
<b>BRÛLEUR BECKETT; MODÈLE NX (Cheminée ou DV)</b>	<b>NX56LQ</b>			<b>NX56LQ</b>	
Longueur d'insertion du tube du brûleur (pouces)	1 3/4"			1 3/4"	
Type de tête	6 Slots - LQ head			6 Slots - LQ head	
Gicleur (Delavan)**	0.40 - 60W	<b>0.50 - 60W</b>	0.60 - 60W	0.40 - 60W	<b>0.50 - 60W</b>
Défecteur de bas régime	Oui (32229)	Oui (32229)	Non	Oui (32229)	Oui (32229)
Pression de la pompe (PSIG)*	155	145	135	155	145
Ajustement air de combustion	2.0	2.75	2.5	2.0	2.75
AFUE % (À partir du standard CSA B212 et des lois canadiennes)***	86.7%	85.7%	85.0%	‡ 86.7%	‡ 85.7%
AFUE % (À partir du standard ASHRAE 103 et des lois américaines)***	86.1%	85.4%	84.5%	‡ 86.1%	‡ 85.4%
<b>BRÛLEUR RIELLO; MODÈLE 40-F3 (Cheminée)</b>	<b>F3 AVEC VOLET D'ENTRÉE D'AIR</b>			<b>F3 AVEC VOLET D'ENTRÉE D'AIR</b>	
Longueur d'insertion du tube du brûleur (pouces)	2 3/4"			2 3/4"	
Gicleur (Delavan)**	0.40 - 70A	<b>0.50 - 70A</b>	0.60 - 70A	0.40 - 70A	<b>0.50 - 70A</b>
Pression de la pompe (PSIG)*	155	145	135	155	145
Ajustement air de combustion (turbulateur/volet)	0 / 1.5	0 / 2.5	1 / 3.5	0 / 1.5	0 / 2.5
AFUE % (À partir du standard CSA B212 et des lois canadiennes)***	87.0%	86.3%	84.9%	‡ 87.0%	‡ 86.3%
AFUE % (À partir du standard ASHRAE 103 et des lois américaines)***	86.4%	85.9%	84.5%	‡ 86.4%	‡ 85.9%
<b>BRÛLEUR RIELLO; MODÈLE 40-BF3 (Évacuation directe DV)</b>	<b>BF3</b>			<b>BF3</b>	
Longueur d'insertion du tube du brûleur (pouces)	2 3/4"			2 3/4"	
Gicleur (Delavan)**	0.40 - 70A	<b>0.50 - 70A</b>	0.60 - 70A	0.40 - 70A	<b>0.50 - 70A</b>
Pression de la pompe (PSIG)*	155	145	135	155	145
Ajustement air de combustion (turbulateur/volet)	0 / 3.25	0 / 4	1 / 5.25	0 / 3.25	0 / 4
AFUE % (À partir du standard CSA B212 et des lois canadiennes)***	85.6%	85.3%	84.0%	‡ 85.6%	‡ 85.3%
AFUE % (À partir du standard ASHRAE 103 et des lois américaines)***	85.1%	85.0%	83.3%	‡ 85.1%	‡ 85.0%
<b>SYSTÈME ÉLECTRIQUE</b>					
Volts - Hertz - Phase	115 - 60 - 1			115 - 60 - 1	
Consommation (Amps)	12.2			10.3	
Amp. minimum pour grosseur du fil (Amp)	13.7			12.2	
Fusible max.(Amp)	15			15	
Contrôle du transformateur (VA)	40			40	
Courant disponible contrôles externes: Chauffage / Climatisation (VA)	40 / 30			40 / 30	
<b>DONNÉES TECHNIQUES DU VENTILATEUR</b>					
Vitesse du ventilateur à une pression statique de 0.25" C.E. PS	MED-LOW	MED-HIGH	HIGH		
Vitesse du ventilateur à une pression statique de 0.50" C.E. PS	MED-LOW	MED-HIGH	HIGH	Voir tableau des débits d'air du moteur ECM	
Moteur (HP) / no. de vitesses	1/3 HP / 4 vitesses			1/2 HP / ECM (avec inducteur)	
Dimensions du ventilateur (dia. x largeur)	10" x 8"			10" x 8"	
<b>INFORMATION GÉNÉRALE</b>					
Dimension hors tout (larg. x prof. x haut.)	16 7/8" x 20 1/8" x 40 3/4"			16 7/8" x 20 1/8" x 40 3/4"	
Dimension de l'alimentation (larg. x prof.)	16" x 19"			16" x 19"	
Ouverture retour d'air (prof. x haut., avec support de filtre)	19" x 19"			19" x 19"	
Dimensions du filtre (prof. x haut. x épaisseur)	20" x 20" x 1"			20" x 20" x 1"	
Poids à l'expédition Lbs/Kg	125 / 57			125 / 57	
Capacité maximum en climatisation (tonnes) à 0.50" C.E. PS	2.5			3.0	

\* AJUSTEMENT DE LA CONSOMMATION ET DE LA PUISSANCE DE CHAUFFAGE :  
 - La pression de la pompe peut être ajustée pour maintenir la puissance adéquate  
 - Monter la pression si la température des gaz de combustion n'atteint pas 400 °F  
 - Ajuster la température totale des gaz de combustion entre 400 °F et 575 °F (330 °and 505 °F net approx.)  
 - Ajuster la vitesse de ventilation pour une augmentation de température de l'air telle que spécifiée  
 \*\* Gicleur installé par défaut en caractère gras.  
 ‡ Valeur d'AFUE vérifiée après 20 heures de fonctionnement.



**Table 7 – Débits d'air, unités avec moteur 1/2 HP ECM**

<b>MODE DE CHAUFFAGE AU MAZOUT</b>				
Signal 24 VAC (R) sur W seulement				
SW1- Chauffage Position interrupteurs DIP	Puissance Chauffage (USGPH)	PCM avec interrupteur DIP "SW3-ADJ", position A	PCM avec interrupteur DIP "SW3-ADJ", position B	PCM avec interrupteur DIP "SW3-ADJ", position C
A (1=OFF, 2=OFF)	0,70	970	1070	875
B (1=ON, 2=OFF)	0,60	820	900	735
C (1=OFF, 2=ON)	0,50	680	750	610
D (1=ON, 2=ON)	Mêmes valeurs que position A			

<b>MODE DE VENTILATION CONTINU</b>				
Signal 24 VAC (R) sur G seulement				
SW2 - Climatisation Position interrupteurs DIP	Capacité Climatisation (tonnes)	PCM avec interrupteur DIP "SW3-ADJ", position A	PCM avec interrupteur DIP "SW3-ADJ", position B	PCM avec interrupteur DIP "SW3-ADJ", position C
A (1=OFF, 2=OFF)	3,0	900	1035	765
B (1=ON, 2=OFF)	2,5	750	860	635
C (1=OFF, 2=ON)	2,0	600	690	510
D (1=ON, 2=ON)	1,5	450	515	380

<b>MODE CLIMATISATION OU CHAUFFAGE THERMOPOMPE</b>				
Signal 24 VAC (R) à G, Y/Y2 et O (pour climatisation)				
SW2 - Climatisation Position interrupteurs DIP	Capacité Climatisation (tonnes)	PCM avec interrupteur DIP "SW3-ADJ", position A	PCM avec interrupteur DIP "SW3-ADJ", position B	PCM avec interrupteur DIP "SW3-ADJ", position C
A (1=OFF, 2=OFF)	3,0	1200	1320	1080
B (1=ON, 2=OFF)	2,5	1000	1100	900
C (1=OFF, 2=ON)	2,0	800	880	720
D (1=ON, 2=ON)	1,5	600	660	540

Pendant la mode climatisation - déshumidification, sans 24 VAC input à DH, les PCM diminuent de 15%.

Les PCM indiqués sont réduits de 20% si un signal 24 VAC à Y1 est présent. (premier stage en climatisation)

<b>TABLEAU DES DÉLAIS POUR MODE CHAUFFAGE AU MAZOUT</b>				
SW4 - DÉLAI Position interrupteurs DIP	Puissance Chauffage(USGPH)	PreRun Délai "ON" Niveau PCM - Temps	ShortRun Délai "ON" Niveau PCM - Temps	Délai "Off" Niveau PCM - Temps
A (1=OFF, 2=OFF)	0,75	13% - 45 sec.	19% - 30 sec	38% - 3 min.
B (1=ON, 2=OFF)	0,65	13% - 45 sec.	19% - 60 sec	38% - 3 min.
C (1=OFF, 2=ON)	0,50	13% - 60 sec.	13% - 60 sec	38% - 3 min.
D (1=ON, 2=ON)	Tous	13% - 30 sec.	100% - 30 sec	100% - 2 min.

"PreRun" et "ShortRun" représentent les périodes de temps que le ventilateur part à très bas PCM pour minimisé la distribution d'air frais dans le système et ensuite monte à vitesse normale.

Délai "Off" est la période de temps requise pour refroidir l'échangeur de chaleur à bas PCM, pour minimisé la distribution d'air froid dans le système.

<b>TABLEAU DES DÉLAIS POUR MODE CLIMATISATION OU CHAUFFAGE THERMOPOMPE</b>				
Pas d'ajustement requis	Capacité climatisation	PreRun Délai "On" Niveau PCM - Temps	ShortRun Délai "On" Niveau PCM - Temps	Délai "Off" Niveau PCM - Temps
-	Tous	Aucun delai	Aucun delai	100% - 90 sec

PreRun et ShortRun sont les périodes de temps pour lesquelles le ventilateur démarre à bas débit d'air pour minimiser la distribution d'air de refroidissement dans le système puis tourne à vitesse normale.

\* Off delay de l'air de refroidissement est la durée nécessaire pour refroidir le serpentint (en mode chauffage) avec des bas débits d'air.

**Table 8 – Débits d'air, unités avec moteur 1/3 HP PSC**

BLOWER SPEED	PRESSION STATIQUE EXTERNE AVEC FILTRE À AIR								
	0.1" (C.E.)	0.2" (C.E.)	0.3" (C.E.)	0.4" (C.E.)	0.5" (C.E.)	0.6" (C.E.)	0.7" (C.E.)	0.8" (C.E.)	0.9" (C.E.)
HIGH	1230	1185	1150	1095	1050	990	920	810	595
MED-HIGH	1090	1055	1005	970	925	875	810	700	550
MED-LOW	865	860	860	845	795	740	695	600	460
LOW	675	680	690	680	665	640	565	480	390

**Table 9 – Dégagements minimums aux matériaux combustibles**

LOCATION		ASCENDANT	HORIZONTAL	DESCENDANT
CÔTÉS	FOURNAISE <sup>1</sup>	2.54cm (1")	N/A	5.08cm (2")
	PLÉNUM ET CONDUIT D'AIR CHAUD JUSQU'À 6pi. DE LA FOURNAISE <sup>1</sup>	5.08cm (2")	2.54cm (1")	5.08cm (2")
DESSOUS	FOURNAISE <sup>2</sup>	Ø	2.54cm (1") <sup>3</sup>	5.08cm (2") <sup>4</sup>
ARRIÈRE	FOURNAISE (CÔTÉ OPPOSÉ DU BRÛLEUR) <sup>1</sup>	7.62cm (3")	7.62cm (3")	7.62cm (3")
DESSUS	PLÉNUM OU CONDUIT D'AIR CHAUD HORIZONTAL À 6pi. DE LA FOURNAISE <sup>2</sup>	5.08cm (2")	5.08cm (2")	5.08cm (2")
	FOURNAISE <sup>2</sup>	N/A	5.08cm (2")	N/A
TUYAU DE RACCORDEMENT	AUTOUR DU TUYAU DE RACCORDEMENT	22.86cm (9")	22.86cm (9")	22.86cm (9")
DEVANT	FOURNAISE (CÔTÉ BRÛLEUR) <sup>1</sup>	45.72cm (18")	45.72cm (18")	45.72cm (18")

<sup>1</sup>Ce sont des dimensions horizontales

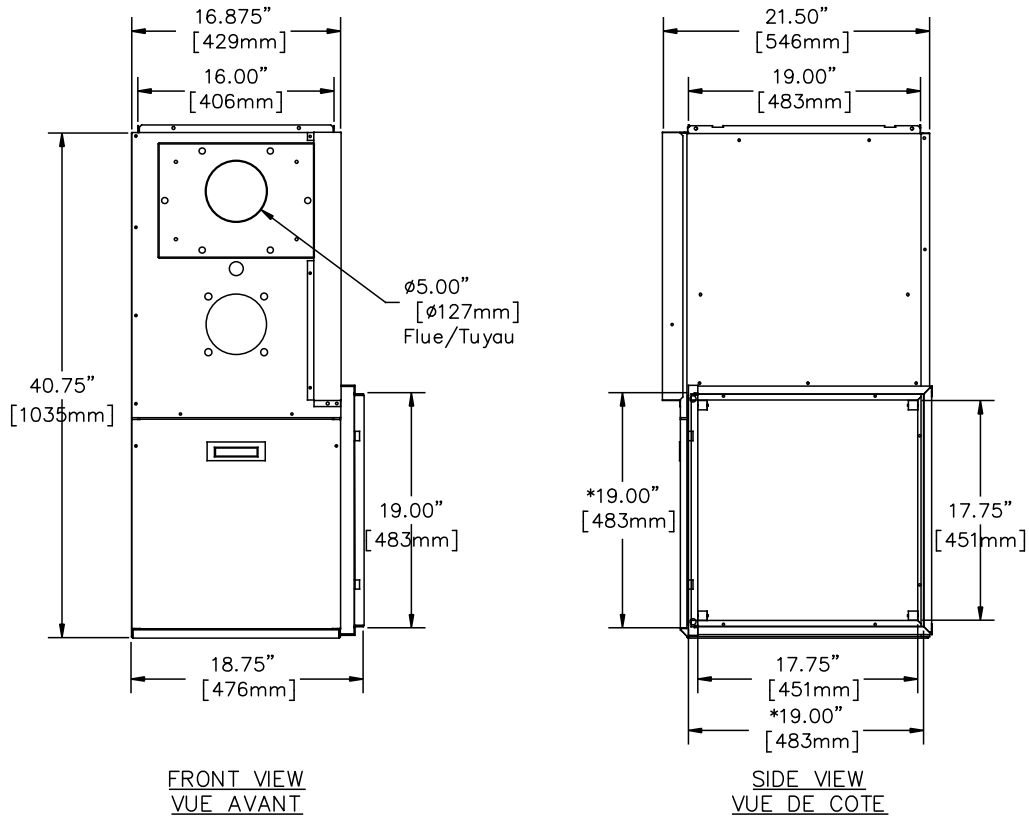
<sup>2</sup>Ce sont des dimensions verticales

<sup>3</sup>Cette dimension peut être obtenue en utilisant la base #HFB-101 ou KLASB0701DET

<sup>4</sup>Cette dimension peut être obtenue en utilisant la base #DFB-102 ou KLASB0801DET

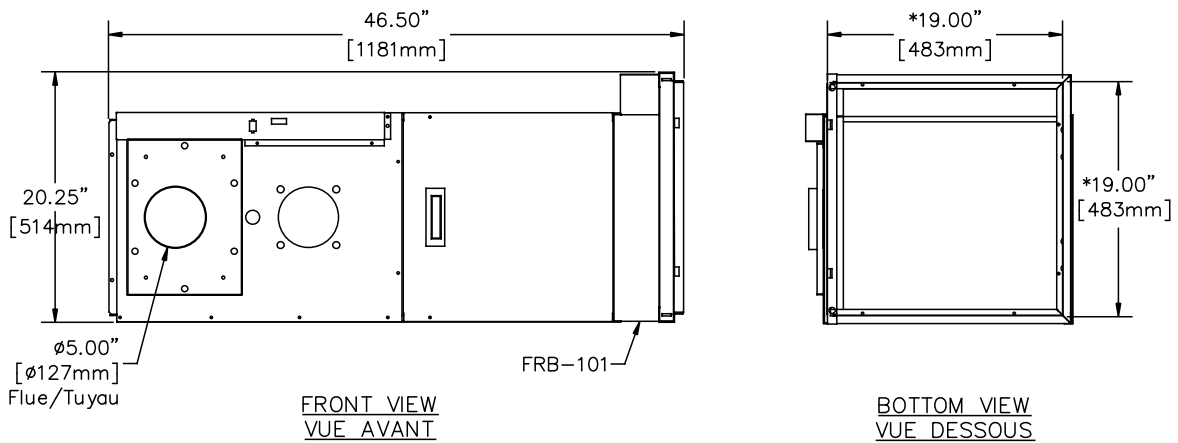


**Figure 9 – Dimensions de la fournaise**



\* DUCT OPENING/OUVERTURE CONDUIT

HORIZONTAL INSTALLATION WITH FLOOR RETURN BASE (FRB-101)  
 INSTALLATION HORIZONTALE AVEC BASE RETOUR DE PLANCHER (FRB-101)



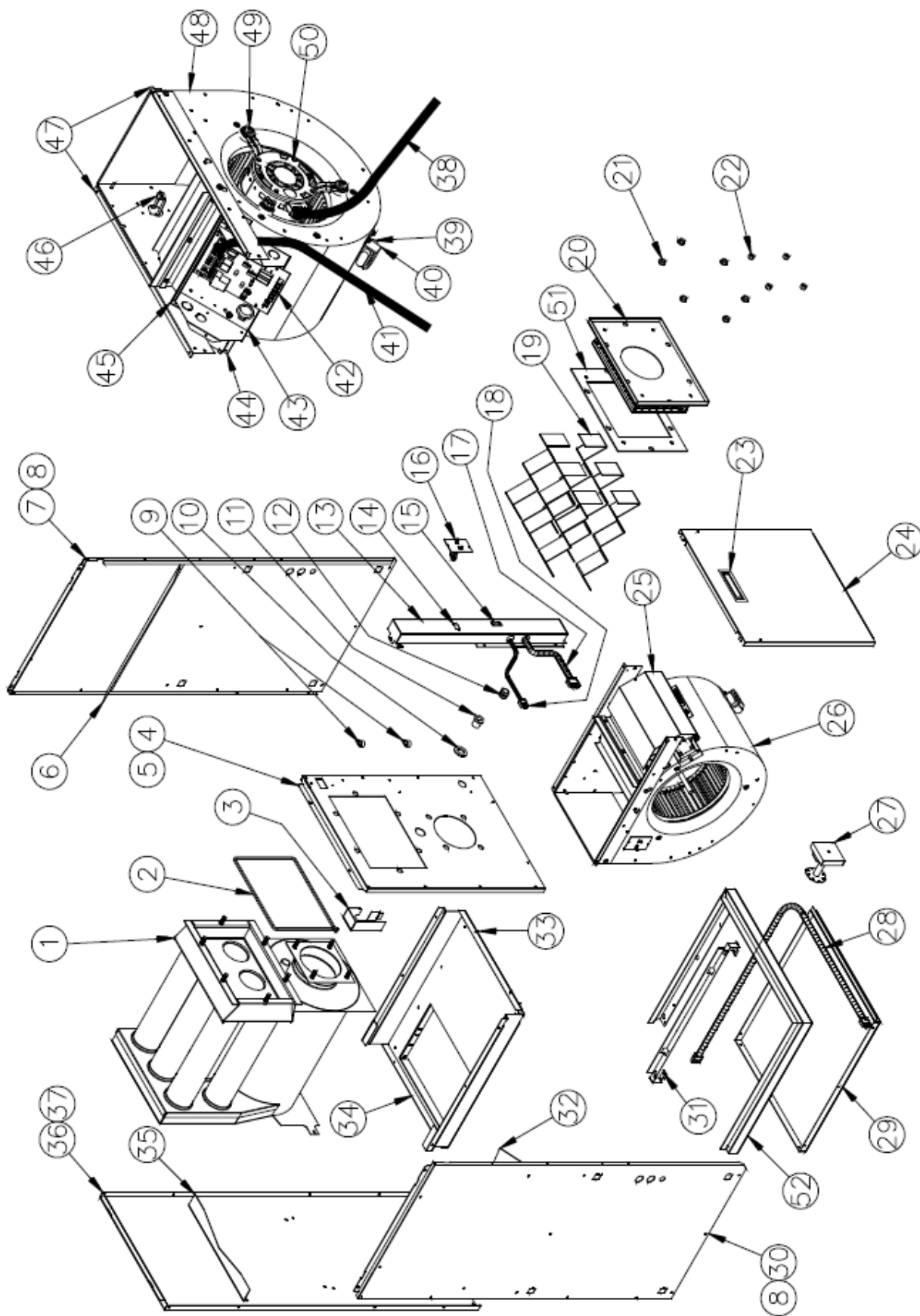
\* DUCT OPENING/OUVERTURE CONDUIT

DNS-1097 Rev.C





Figure 12 – Liste de pièces - Moteur 4 vitesses (PSC)



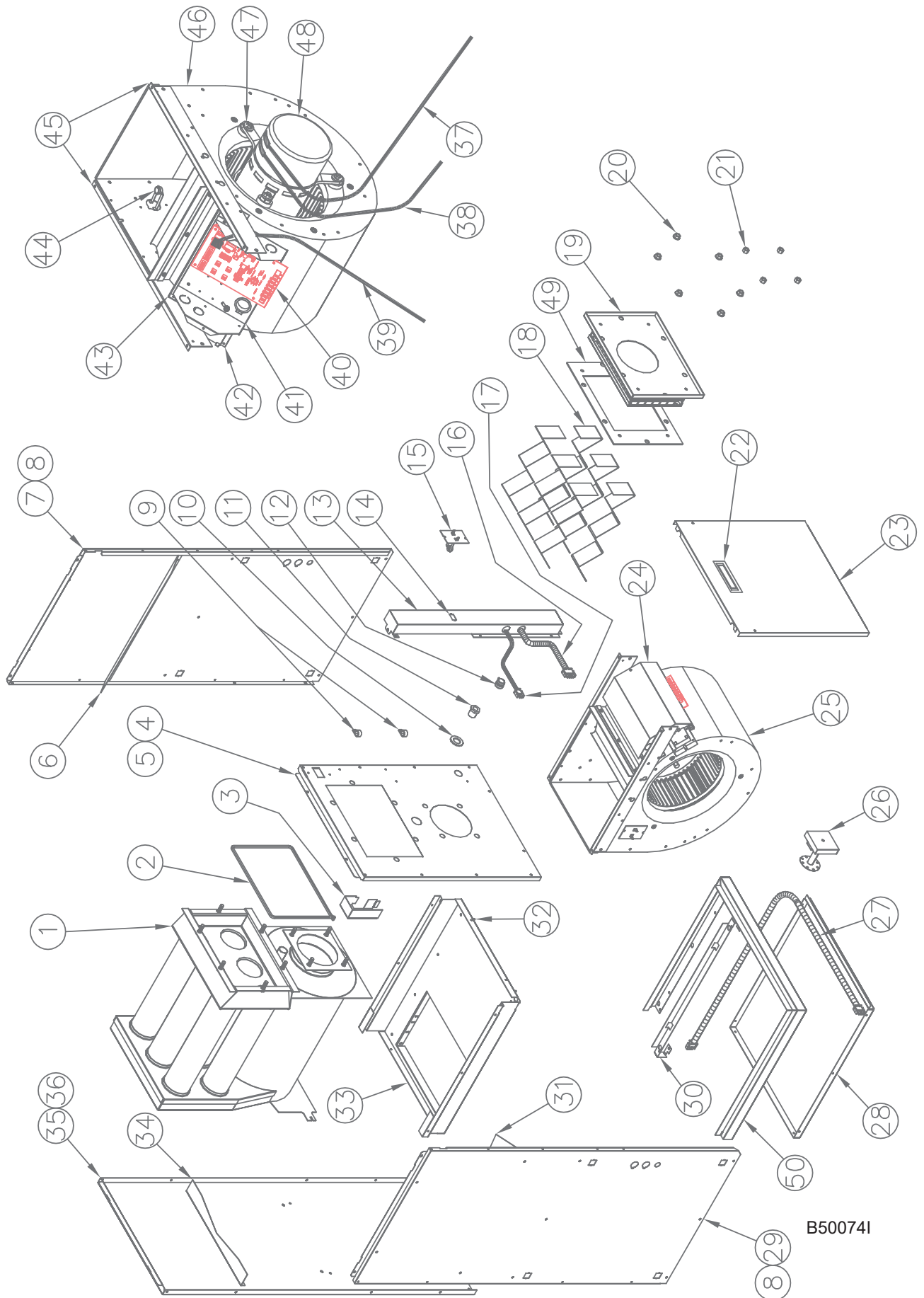
B50064H

**Table 10 – Liste des pièces - Moteur 4 vitesses (PSC)**

#	Item	Description	Commentaires
1	B03409	ASS ECHANGEUR CHALEUR	Échangeur seulement
2	J06L002	JOINT EXTRUDÉ 1/4 x 1/8 x 25'	
3	B03429	CACHE FIL INT.	
4	B03420-01	ASS PANNEAU AVANT	Comprend panneau, isolation et étiquettes
5	B03444	ISOLATION PANNEAU AVANT	
6	B03450-01	DEFLECTEUR LATÉRAL	
7	B03426-01	ASS PANNEAU COTE DROIT	Comprend panneau, isolation et déflecteur
8	B03473	ISOLATION PANNEAU COTE	
9	L04J001	BRIDE DE CABLE 9/16" BLANC	
10	F06F015	WASHER RONDELLE ZINC 1 7/16"	
11	Z99F061	OEIL DE REGARD POUR ECHANGEUR	
12	L04I013	CONNECTEUR PRESSION	
13	B03448	CACHE FIL (BVSO/COMMUT)	
14	B03455-01	KIT ELECTRIQUE BVSO INT.	
15	L07F003	COMMUT. BASC. SPST	
16	R02R006	H. LIMITE 36T01B7 150-20F, 7"	
17	B03454	KIT ÉLECTRIQUE BRÛLEUR	
18	B03453	KIT ELECTRIQUE TT	
19	B03630-01	DEFLECTEUR	Comprend un seul déflecteur
20	B03416	ASS PIEGE A SON	Inclus item #51
21	F07O001	ÉCROU HEXAGONAL A BRIDE 3/8-16NC LAITON	
22	F07F011	ÉCROU HEXAGONAL 3/8-16NC ZINC	
23	Z99F050	POIGNÉE ENCASTRÉE NOIRE	
24	B03419	ASS PORTE VENTILATEUR	Comprend porte et étiquettes
25	B03439	COUVERCLE BOITE ÉLECTRIQUE	
26	B03535-01	ASS VENTILATEUR DE REMPLACEMENT	Comprend ventilateur, moteur et condensateur
27	Z06G001	DISPOSITIF D'ARRÊT BVSO-225-A	
28	B03118-01	KIT ÉLECTRIQUE BVSO EXT.	
29	B03470	PLANCHER	
30	B03426-02	ASS PANNEAU CÔTÉ GAUCHE	Comprend panneau, isolation et déflecteur
31	B03298	EMBOUT SUPPORT A FILTRE	
32	B03450-02	DÉFLECTEUR LATÉRAL	
33	B30513	GLISSIÈRE DU VENTILATEUR	Comprend une seule glissière
34	B03441	SÉPARATEUR DU VENTILATEUR	
35	B03451	DÉFLECTEUR ARRIÈRE	
36	B03427	ASS PANNEAU ARRIÈRE	Comprend panneau, isolation et déflecteurs
37	B03471	ISOLATION PANNEAU ARRIÈRE	
38	B03457-01	KIT ÉLECTRIQUE VENTILATEUR	
39	L01I001	CONDENSATEUR 5MF	
40	B01024	SUPPORT DE CONDENSATEUR	
41	B03456	CARTE KIT ÉLECTRIQUE	
42	R99G004	CARTE ÉLECTRONIQUE UTEC 1158-110	
43	B03440	BOITE ÉLECTRIQUE	
44	L01F009	TRANSFORMATEUR 120-24Volts, 40VA	
45	B03438	SUPPORT DE BOITE ÉLECTRONIQUE	
46	R02R007	HAUT. LIM. 120-20F, 1.75"	
47	B03437	GLISSIÈRE DU VENTILATEUR	Comprend une seule glissière
48	B03720-02	ASS VENTILATEUR AVEC ÉTIQUETTE	Comprend ventilateur, roue et étiquette
49	B01888	ASS SUPPORT DE MOTEUR	Comprend pattes, bande et attaches
50	B01890-01	ASS MOTEUR 1/3 HP	Moteur complet avec pattes
51	B03428	GARNITURE SORTIE A FUMÉE	
52	B03299	CONTOUR SUPPORT DE FILTRE	
53	L01G009	FUSIBLE POUR CARTE DE CONTRÔLE - 3 AMPS	
<b>Accessoires</b>			
	DFB-102 / KLASB0801DET	BASE POUR DÉBIT DESCENDANT	B03464-01
	HFB-101 / KLASB0701DET	BASE POUR DÉBIT HORIZONTAL	B00488-01
	FRB-101 / KLARB0101DET	BASE RETOUR PLANCHER	B03482-01
	VTK-54 / VTK-098 / KLAVT0101DET	TERMINAL D'ÉVACUATION 4"	Pour combustion scellée
	IFV-420 / IFV098-20 / KLAJV0201DET	TUYAU 4" D'ÉVACUATION FLEXIBLE ISOLÉ 20pi.	Pour combustion scellée
	N01J054	BRÛLEUR BECKETT AFG (GICLEUR 0,50-60A)	
	N01J050 / KLABR0101BEC	BRÛLEUR BECKETT NX (GICLEUR 0,50-60W)	
	N01F054 / KLABR0101RLO	BRÛLEUR RIELLO 40-F3 (GICLEUR 0.50-70A)	
	N01F055 / KLABR201RLO	BRÛLEUR RIELLO 40-BF3 (GICLEUR 0.50-70A)	Pour combustion scellée
	B03789	PLAQUE DE PROTECTION BRÛLEUR NX	Pour débit descendant seulement

B50064K

Figure 13 – Liste de pièces - Moteur à vitesse variable (ECM)



B50074I

**Table 11 – Liste de pièces - Moteur à vitesse variable (ECM)**

#	Item	Description	Commentaires
1	B03409	ASS ÉCHANGEUR DE CHALEUR	Échangeur seulement
2	J06L002	JOINT EXTRUDÉ, DIA 1/4 x 1/8 x 25'	
3	B03429	CACHE FIL INT.	
4	B03420-01	ASS PANNEAU AVANT	Comprend panneau, isolation et étiquettes
5	B03444	ISOLATION PANNEAU AVANT	
6	B03450-01	DÉFLECTEUR LATÉRAL	
7	B03426-01	ASS PANNEAU CÔTÉ DROIT	Comprend panneau, isolation et déflecteur
8	B03473	ISOLATION PANNEAU CÔTÉ DROIT	
9	L04J001	BRIDE DE CABLE 9/16" BLANC	
10	F06F015	RONDELLE ZINC 1 7/16"	
11	Z99F061	ŒIL DE REGARD POUR ÉCHANGEUR	
12	R02R009	CONNECTEUR PRESSION	
13	B03447	CACHE FIL	
14	B03455-01	KIT ÉLECTRIQUE BVSO INT.	
15	R02R006	H. LIMITE 36T01B7 150-20F, 7"	
16	B03454	KIT ELECTRIQUE BRULEUR	
17	B03453	KIT ELECTRIQUE TT	
18	B03630-01	DÉFLECTEUR	
19	B03416	ASS. PIÈGE À SON	
20	F07O001	ÉCROU HEXAGONAL À BRIDE 3/8-16NC LAITON	
21	F07F011	ÉCROU HEXAGONAL 3/8-16NC ZINC	
22	Z99F050	POIGNÉE ENCASTRÉE NOIRE	
23	B03419	ASS. PORTE VENTILATEUR	Comprend porte et étiquettes
24	B03439	COUVERCLE DE LA BOITE ÉLECTRIQUE	
25	B03535-02	ASS. VENTILATEUR DE REMPLACEMENT	Comprend ventilateur et moteur
26	Z06G001	DISPOSITIF D'ARRÊTBVSO-225-A	
27	B03118-01	KIT ÉLECTRIQUE BVSO EXT.	
28	B03470	PLANCHER	
29	B03426-02	ASS. PANNEAU CÔTÉ GAUCHE	Comprend panneau, isolation et déflecteur
30	B03298	EMBOUT SUPPORT À FILTRE	
31	B03450-02	DÉFLECTEUR LATÉRAL	
32	B30513	GLISSIÈRE DU VENTILATEUR	Comprend une seule glissière
33	B03441	SÉPARATEUR DU VENTILATEUR	
34	B03451	DÉFLECTEUR ARRIÈRE	
35	B03427	ASS. PANNEAU ARRIÈRE	Comprend panneau, isolation et déflecteurs
36	B03471	ISOLATION PANNEAU ARRIÈRE	
37	B03242	KIT ÉLECTRONIQUE VENTILATEUR	
38	B03243	KIT ÉLECTRIQUE, VENTILATEUR	
39	B03456	KIT ÉLECTRIQUE, CARTE	
40	R99G003	CARTE ÉLECTRONIQUE UTEC 1168	
41	B03440	BOITE ÉLECTRIQUE	
42	L01F009	TRANSFORMATEUR 120-24VOLT, 40VA	
43	B03438	SUPPORT DE BOITE ÉLECTRONIQUE	
44	R02R007	HAUTE LIMITE 120-20F, 1.75"	
45	B03437	GLISSIÈRE DU VENTILATEUR	Comprend une seule glissière
46	B03720-07	ASS. VENTILATEUR AVEC ÉTIQUETTE	Comprend bâti, roue et étiquette
47	B01888	ASS. SUPPORT DE MOTEUR	Comprend pattes, bande et attaches
48	B03811-14	MOTEUR 1/2 HP ECM 5.0	
49	B03428	GARNITURE SORTIE À FUMÉE	
50	B03299	CONTOUR SUPPORT DE FILTRE	
51	L01G009	FUSIBLE POUR CARTE DE CONTRÔLE - 3 AMPS	
<b>Accessoires</b>			
	DFB-102 / KLASB0801DET	BASE POUR DÉBIT DESCENDANT	B03464-01
	HFB-101 / KLASB0701DET	BASE POUR DÉBIT HORIZONTAL	B00488-01
	FRB-101 / KLARB0101DET	BASE RETOUR PLANCHER	B03482-01
	VTK-54 / VTK-098 / KLAVT0101DET	TERMINAL D'ÉVACUATION 4"	Pour combustion scellée
	IFV-420 / IFV098-20 / KLAFV0201DET	TUYAU 4" D'ÉVACUATION FLEXIBLE ISOLÉ 20pi.	Pour combustion scellée
	N01J054	BRÛLEUR BECKETT AFG (GICLEUR 0.50-60A)	
	N01J050 / KLABR0101BEC	BRÛLEUR BECKETT NX (GICLEUR 0.50-60W)	
	N01F054 / KLABR0101RLO	BRÛLEUR RIELLO 40-F3 (GICLEUR 0.50-70A)	
	N01F055 / KLABR0201RLO	BRÛLEUR RIELLO 40-BF3 (GICLEUR 0.50-70A)	Pour combustion scellée
	B03789	PLAQUE DE PROTECTION BRÛLEUR NX	Pour débit descendant seulement

B50074K