



Wiring Diagrams

73 SERIES ROOM AIR CONDITIONERS

INDEX

MODEL NO. 73	VOLTAGE (1 Ph-60 Hz)	LABEL DIAGRAM NO. (SCHEMATIC DESIGNATOR)	FIGURE NO.
ACA051B	115	309107301	1
ACA051T, ACA061T, ACA081T, ACA101P, ACA121T	115	309364201	2
XCA101D, XCA121D, XCA141D, XCD121D, XCE101D	115	11708001 (E)*	3
XCA123D, XCB123D, XCB153D, XCB183D, XCE183D	208/230	11708001 (E)*	3
XCA121E	115	11708001 (C)*	4
XCA153D, XCA183D	208/230	11708001 (A)*	5
XCB183E	208/230	11708122 (A)	6
XCB183L	208/230	11708001 (F)	7
XHA101D, XHB101D	115	11708008 (A)*	8
XHA153D, XHA173D	208/230	11708008 (A)*	8
XHC101D	115	11708008 (D)*	9
XHA123D, XHB153D, XHB183D, XHD183D	208/230	11708008 (D)*	9
XQA101D	115	11708008 (B)	10
XQB101D	115	11708008 (E)*	11
XQA123D, XQB153D, XQB183D	208/230	11708008 (E)*	11
YCA213D, YCA243D, YCB213D, YCB243D, YCB273D, YCE213D, YCE243D, YCF273D	208/230	11708001 (A)	5
YCA213P, YCA243P, YCB213P, YCB243P	208/230	11708001 (C)	4
YCB213E, YCB243E	208/230	11708122 (A)	6
YHB243D, YHE243D	208/230	11708008 (A)	8

*Common diagram for both 115-v and 208/230-v units.

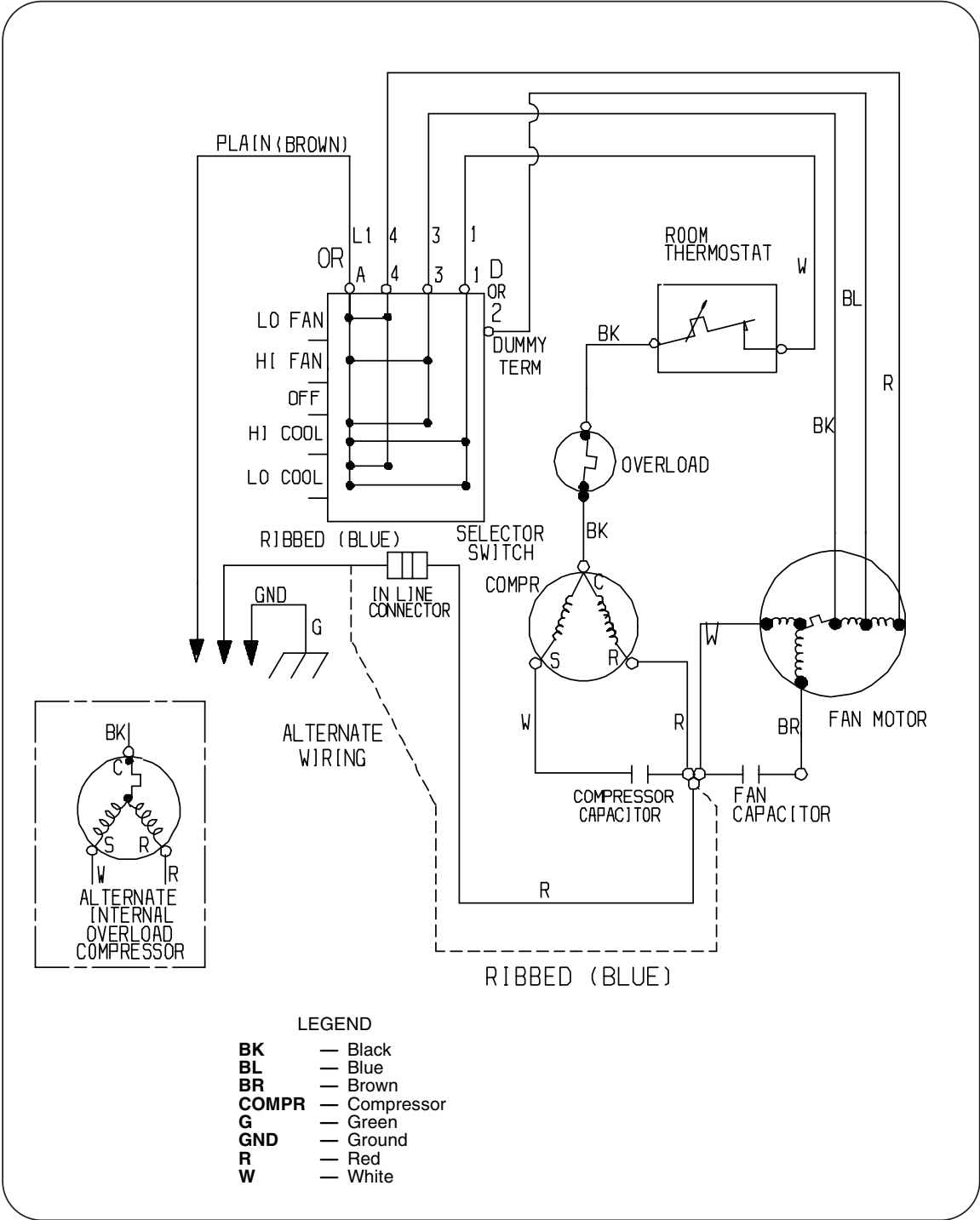


Fig. 1 — Schematic Diagram — Model ACA051B — 115-V Units

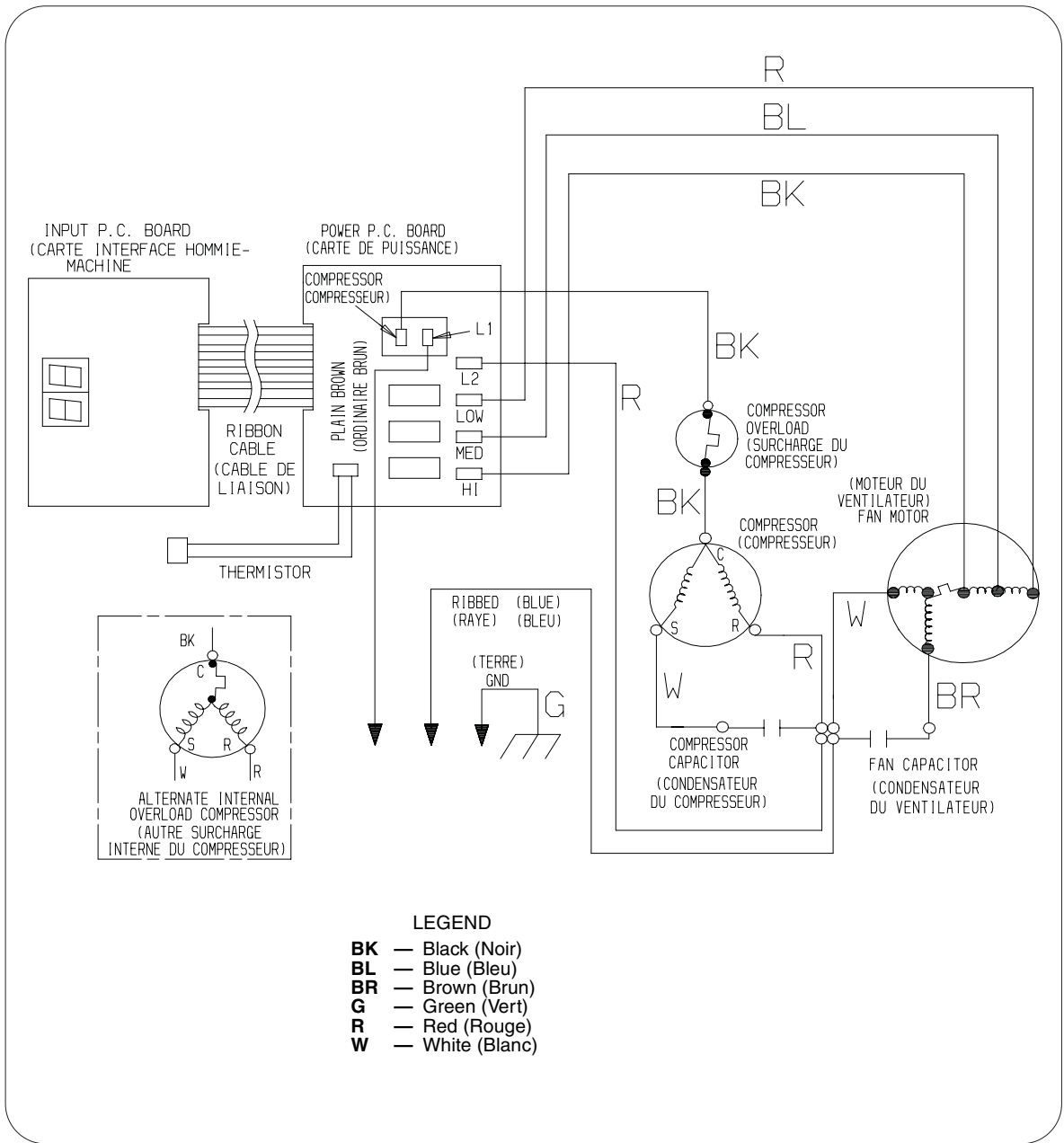


Fig. 2 — Schematic Diagram — Models ACA051T-121T and ACA101P — 115-V Units

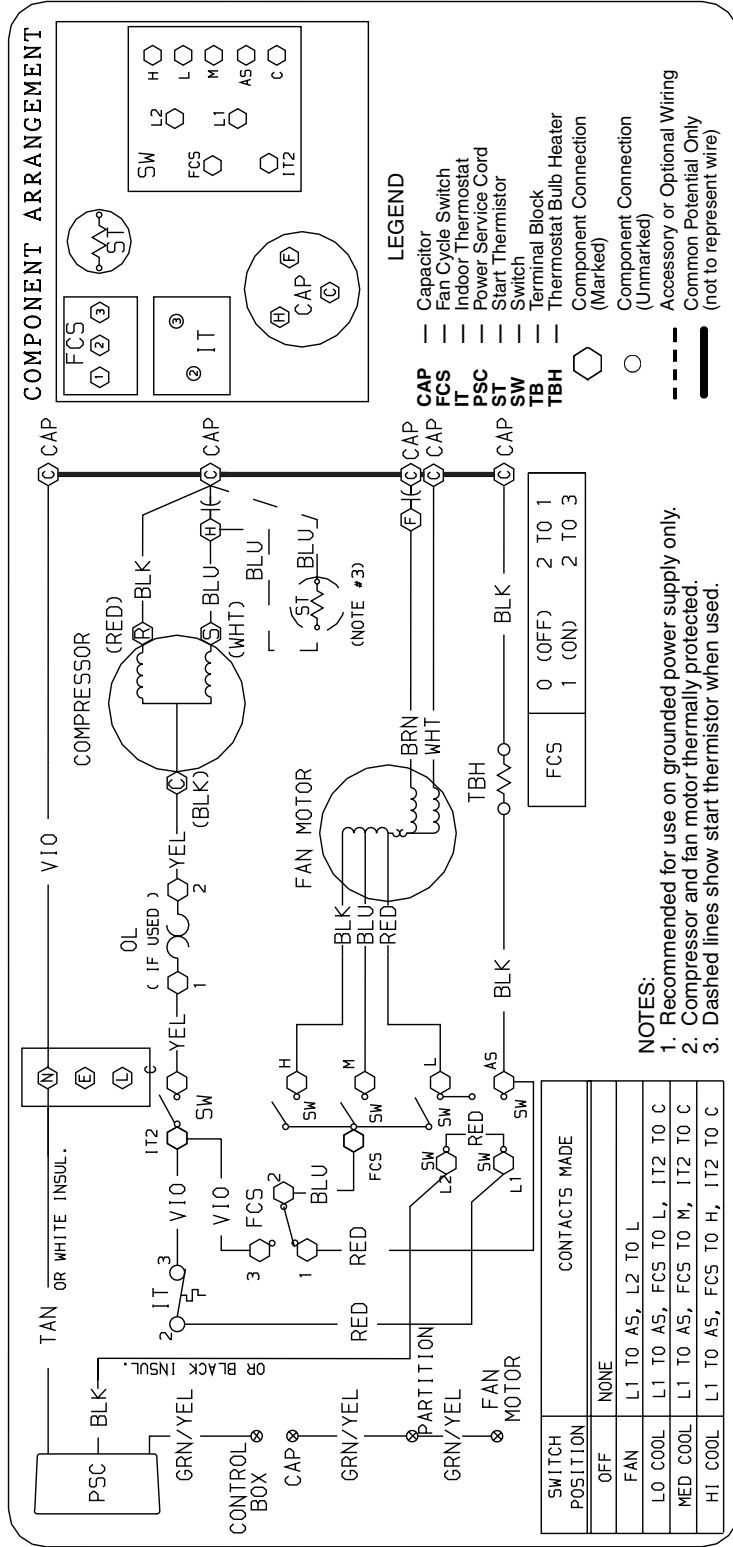


Fig. 3 — Schematic Diagram — Models XCA101D, XCA121D, XCA123D, XCA141D, XCB123D, XCB153D, XCB183D, XCD121D, XCE101D, XCE183D — 115-V and 208/230-V Units

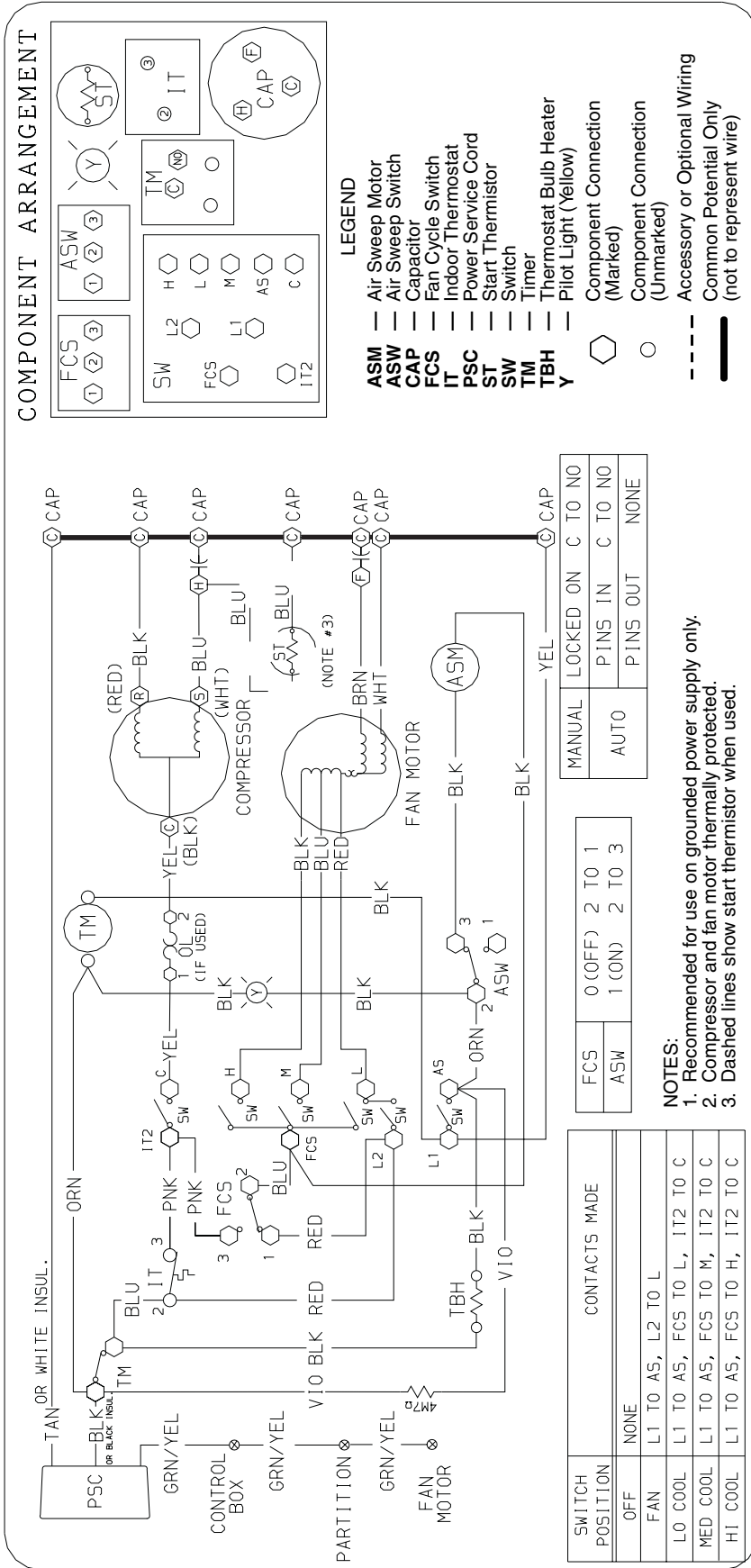
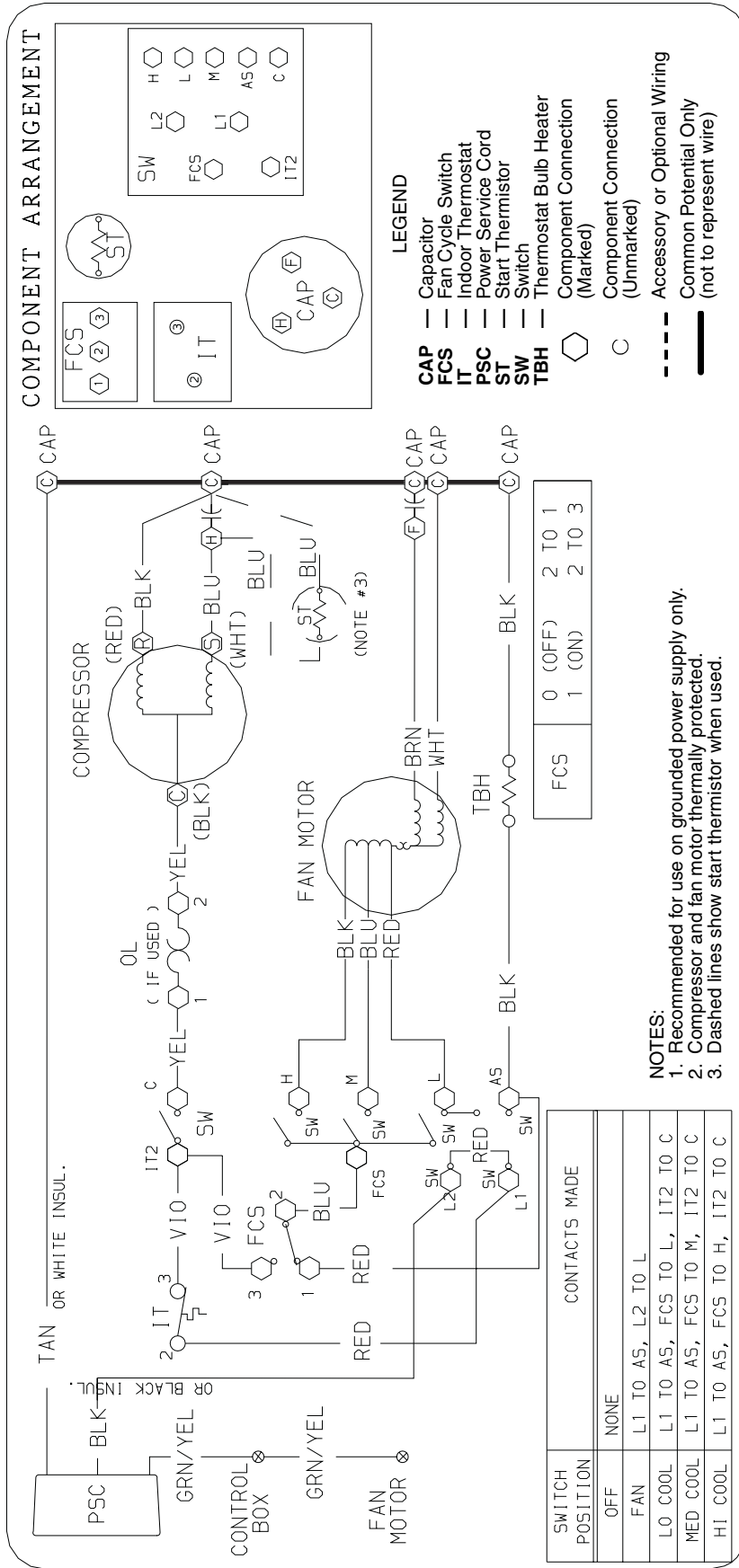


Fig. 4 — Schematic Diagram — Models XCA121E, YCA213P, YCA243P, YCB213P, YCB243P — 115-V and 208/230-V Units



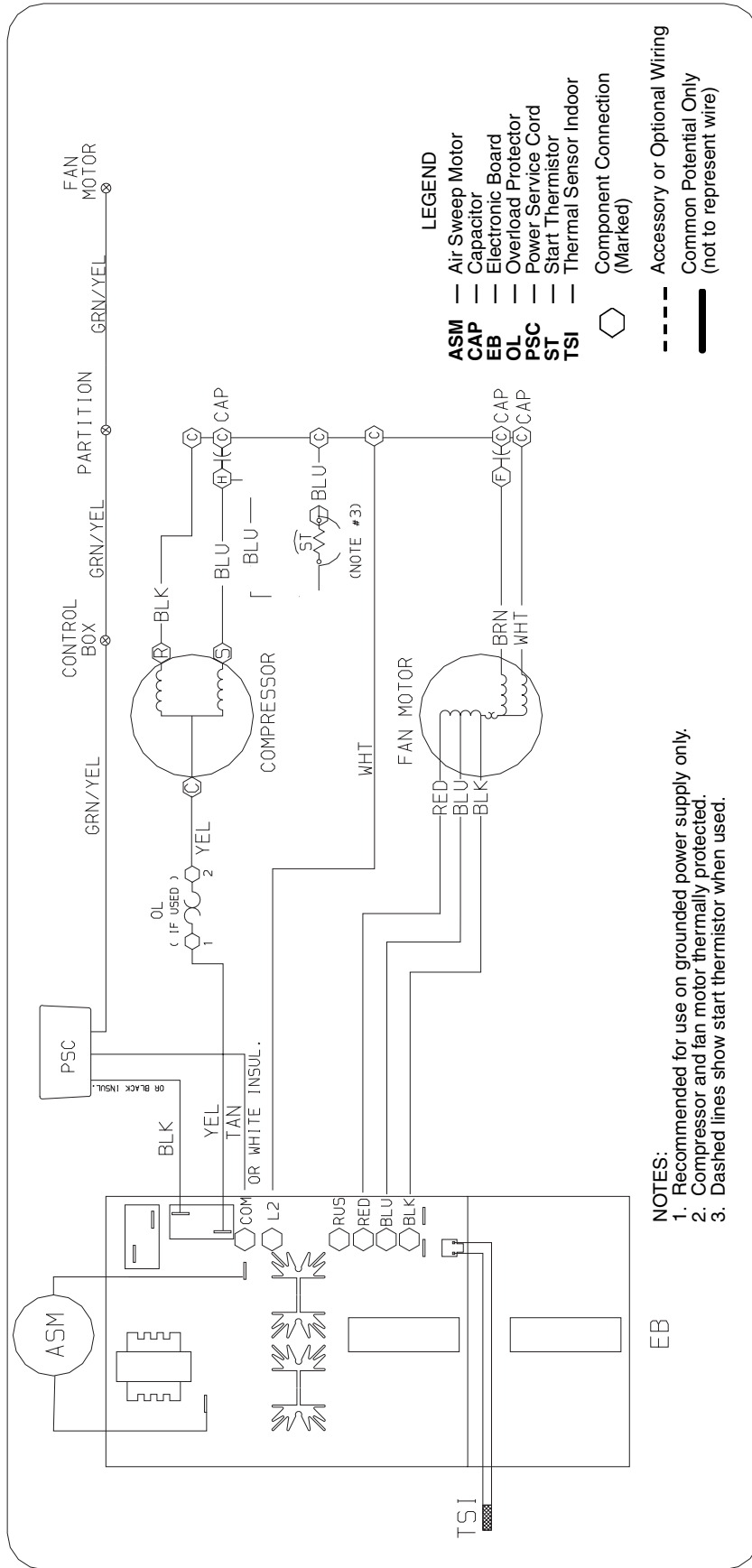


Fig. 6 — Schematic Diagram — Models XCB183E, YCB213E, YCB243E — 208/230-V Units

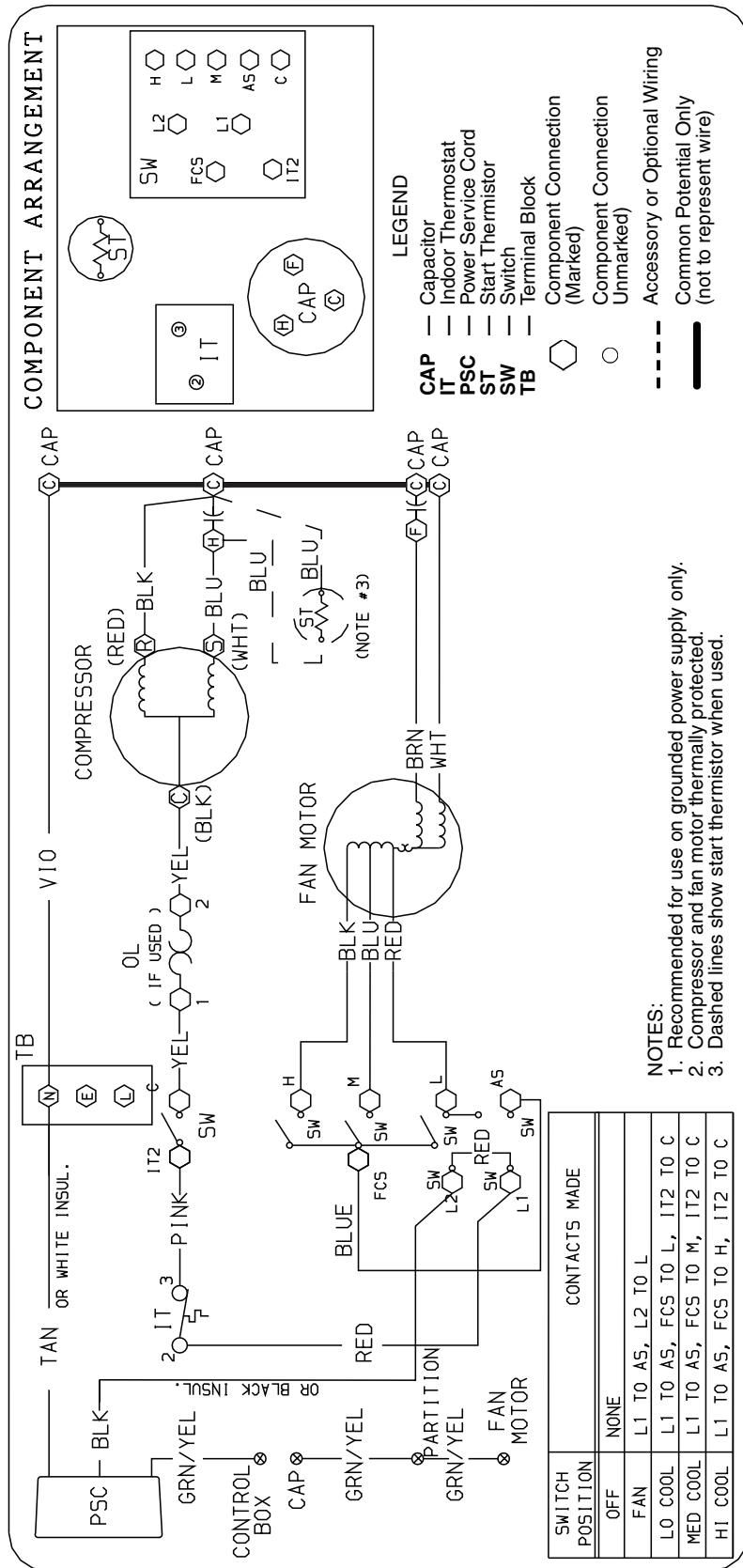


Fig. 7 — Schematic Diagram — Model XCB183L — 208/230-V Units

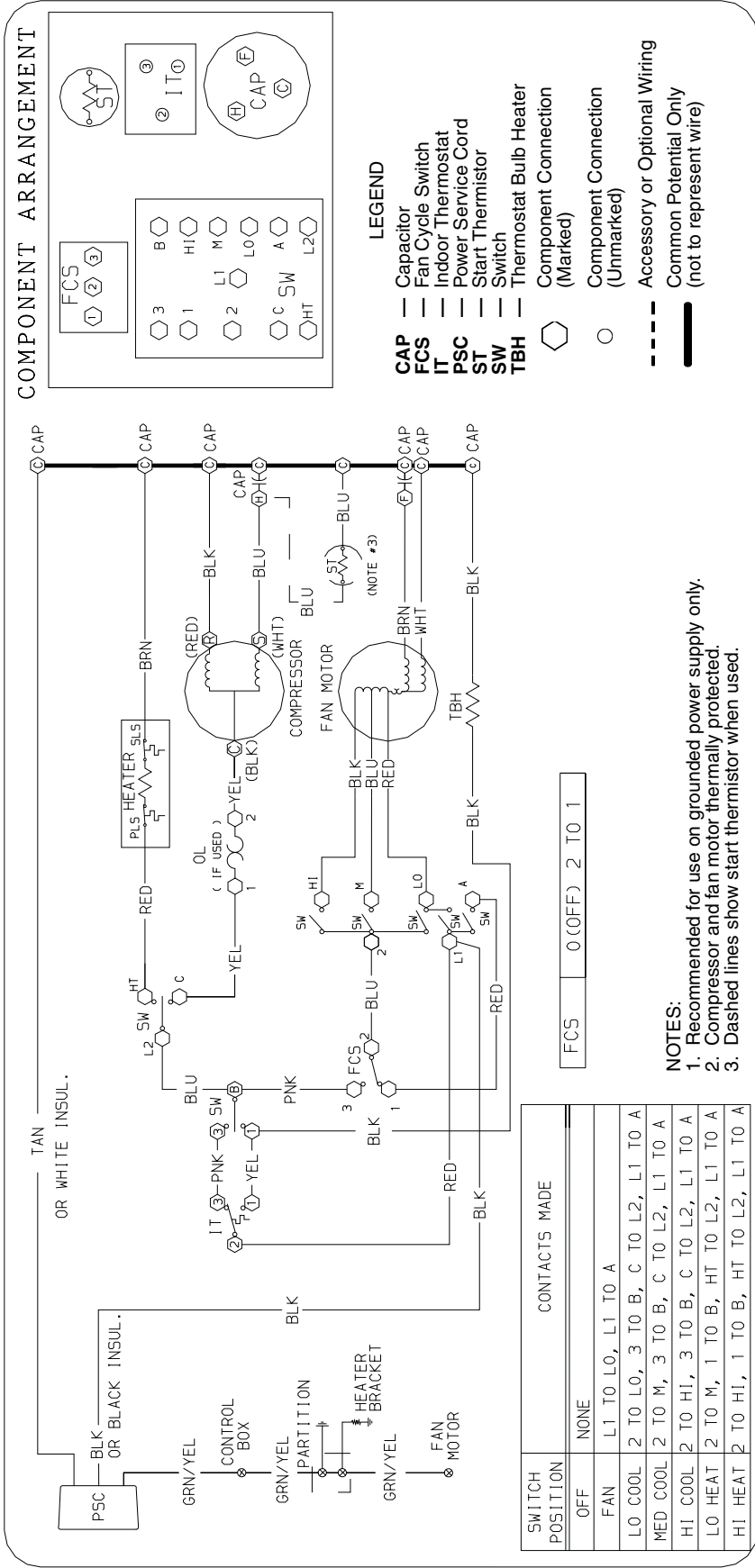


Fig. 8 — Schematic Diagram — Models XHA101D, XHA153D, XHA173D, XHB101D, YHB243D, YHE243D, 208/230-V Units

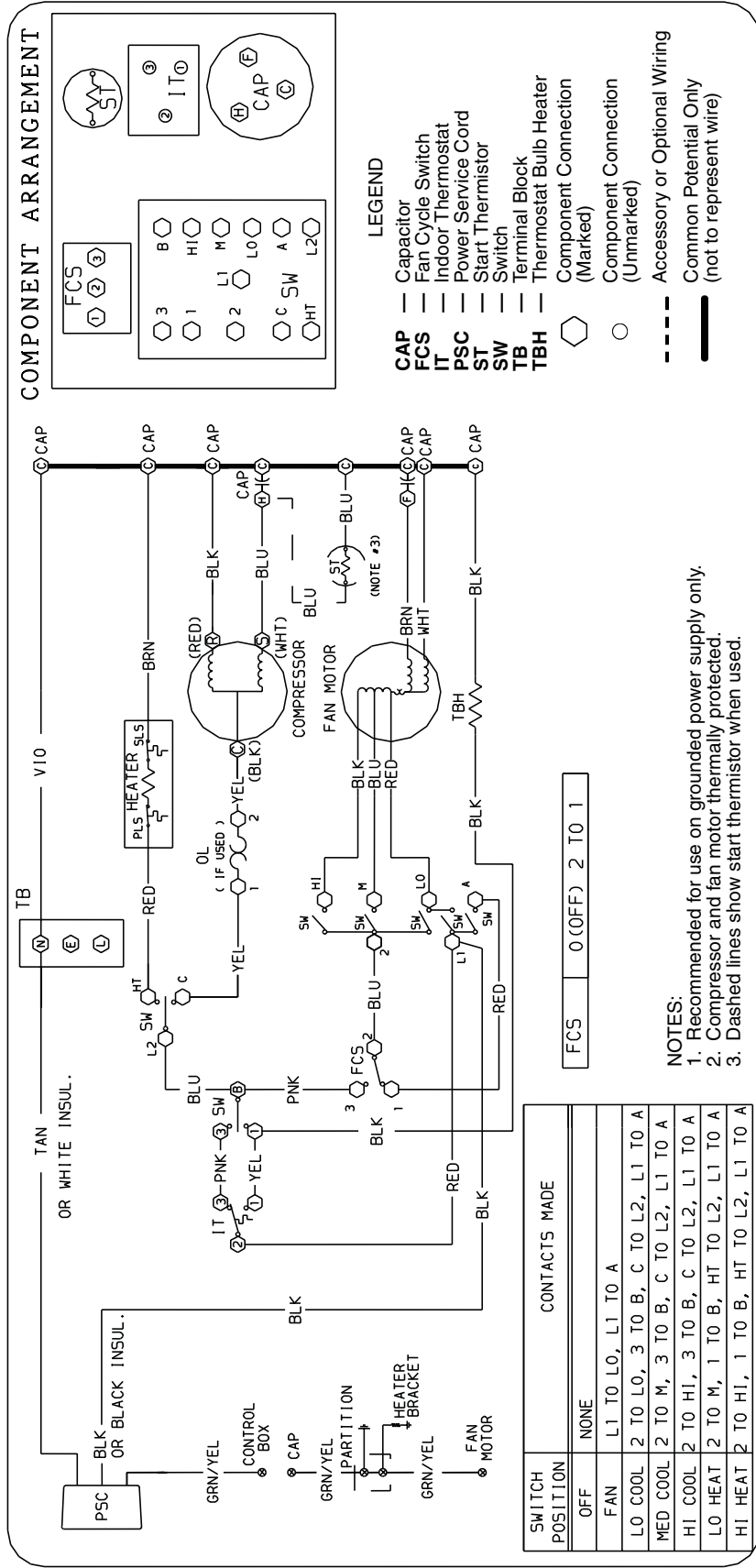


Fig. 9 — Schematic Diagram — Models XHA123D, XHB153D, XHB183D, XHC101D, XHD183D — 115-V and 208/230-V Units

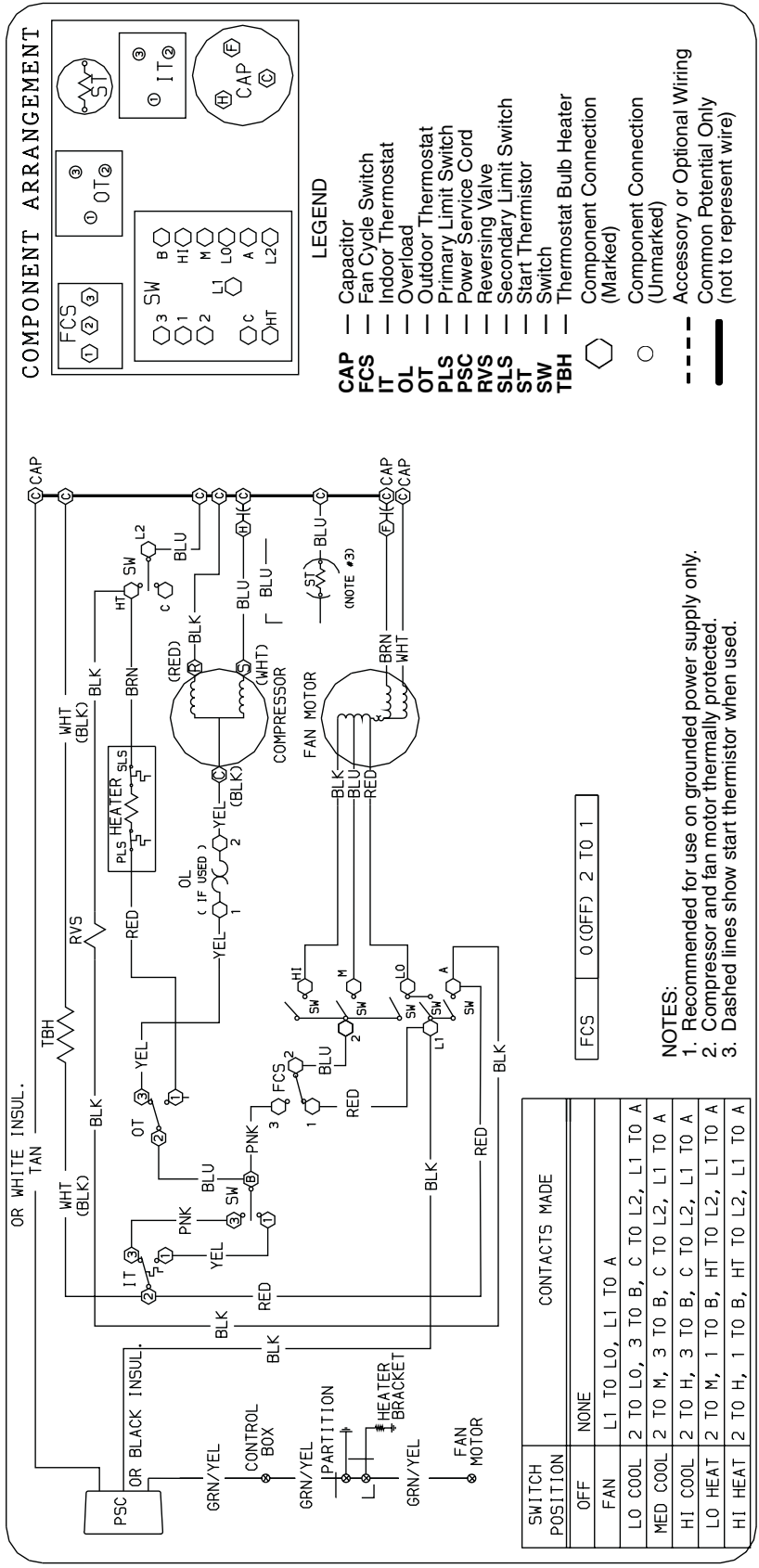


Fig. 10 — Schematic Diagram — Model XQA101D — 115-V Units

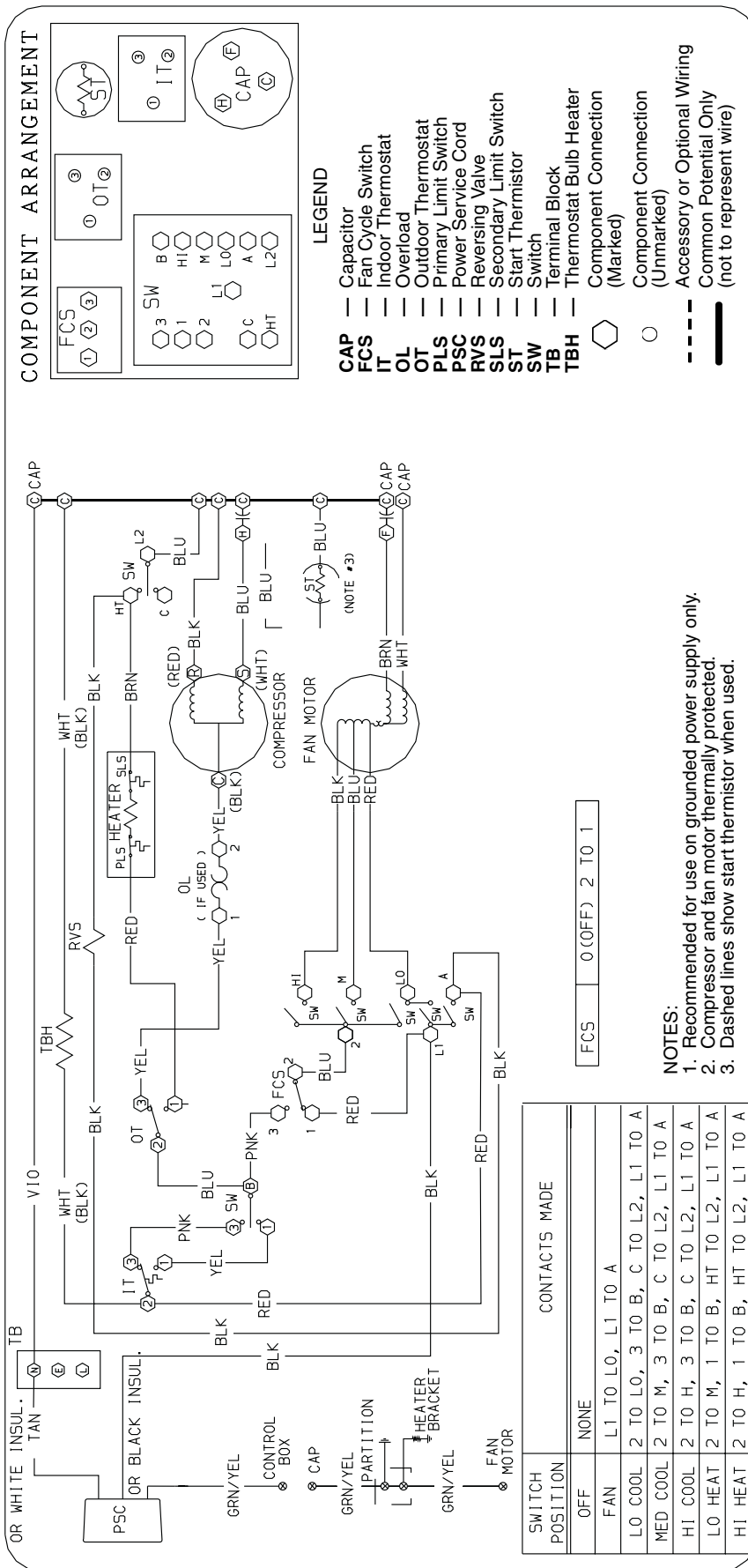


Fig. 11 — Schematic Diagram — Models XQA123D, XQB101D, XQB153D, XQB183D — 115-V and 208/230-V Units