

KVACN0101(B,C)BO Bathroom Override Control

Installation and User Guide

READ AND SAVE THESE INSTRUCTIONS

The illustrations in this document are generic; your control appearance may be slightly different from the ones shown.

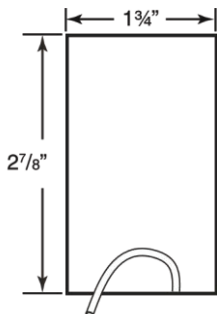
WARNING

ELECTRICAL SHOCK HAZARD

Failure to follow this warning could result in personal injury or death. Electrical wiring must be done by qualified personnel in accordance with all applicable codes and standards. Before connecting wires, unplug the unit or switch power off at service panel and lock service disconnecting means to prevent power from being switched on accidentally. Always wear safety glasses and gloves while performing these instructions.

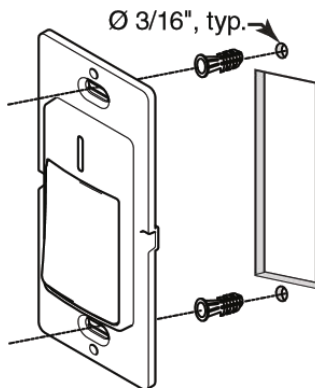
INSTALLATION

1. Unplug the ventilation unit.
2. Cut a 27/8" x 13/4" hole in a wall, at a convenient location for the control. Route a cable (type 22/4) for the control from the unit to this hole.



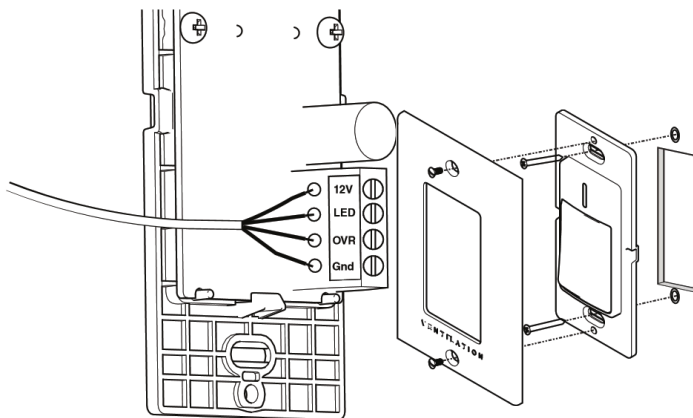
A200529

3. Temporarily place the control over the hole and mark both mounting screw hole positions.
4. Remove the control, drill both screw holes (3/16" Ø) in wall and insert the wall anchors (included).



A200537

5. Strip the end of the cable to access the 4 wires (about 3"). Strip the end of each wire (about 1/4"). Connect the wires to the terminals, regardless of the wire color. Note which wire color has been chosen for each terminal.

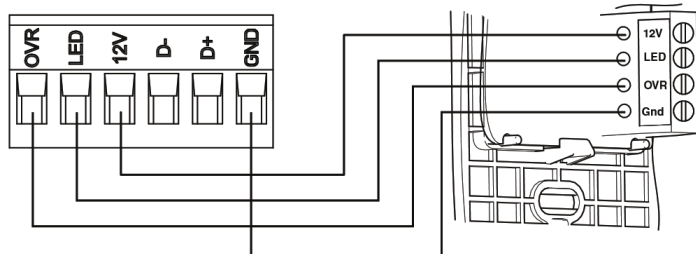


A200538

6. Mount the control to the wall.
7. Depending on the type of fresh air system installed, perform the electrical connection to the terminal connector of the unit, per one of the four models shown below. For more details, refer to the installation manual of the ventilation unit.

NOTE: To avoid miswiring, refer to the notes taken at step 5 to match the wire color with the right terminal.

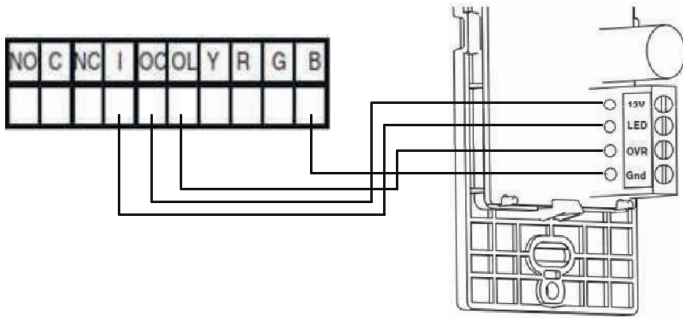
Remote 6 & 7 positions terminals



A200539

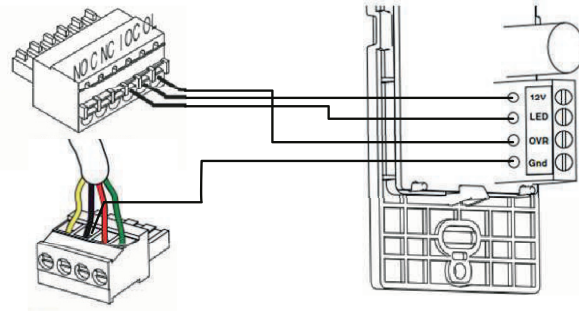
NOTE: The auxiliary wall control can be used with a 3-wire connection by removing the LED signals. This optional wiring will not allow an installation with more than 1 auxiliary wall control to properly synchronize their LEDs on an event requested from a peer. Only the auxiliary wall control having requested the timer event will have the LEDs updated accordingly.

Remote 10 positions terminal



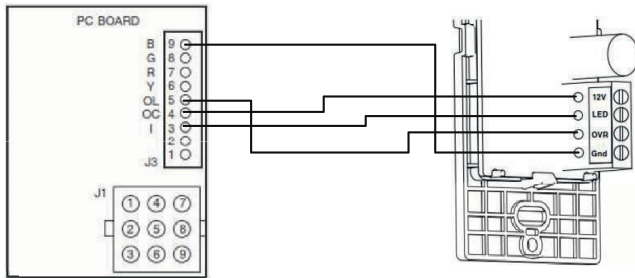
A200540

Remote 4 & 6 positions terminals



A200555

On-board terminal



A200556

8. Plug the ventilation unit and test the wall control.

HOW TO USE THE CONTROL



A200541

The main button works following this sequence:

- Click 1 = 20 min
- Click 2 = 40 min
- Click 3 = 60 min
- Click 4 = OFF
- and so on

The indicator lights up per the selected duration and the system exchanges air at MAX speed.