

KVACN0101(B,C)DH Dehumidistat Control

Installation and User Guide

READ AND SAVE THESE INSTRUCTIONS

The illustrations in this document are generic; your control appearance may be slightly different from the ones shown.

! WARNING

ELECTRICAL SHOCK HAZARD

Failure to follow this warning could result in personal injury or death. Electrical wiring must be done by qualified personnel in accordance with all applicable codes and standards. Before connecting wires, unplug the unit or switch power off at service panel and lock service disconnecting means to prevent power from being switched on accidentally. Always wear safety glasses and gloves while performing these instructions.

! CAUTION

PROPERTY DAMAGE HAZARD

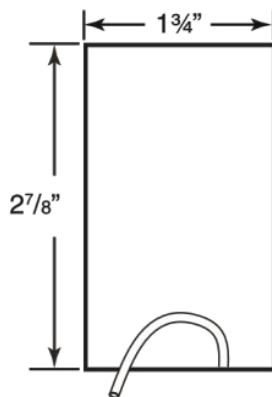
Failure to comply with the following can cause damage. If ducts have to go through an unconditioned space (e.g.: attic), always use insulated ducts to prevent condensation formation inside and outside ducts, which could cause material damage and/or mold growth. Moreover, if fresh air to building duct and/or stale air from building duct goes/go through an unconditioned space, the unit must be set to operate continuously in cold conditions (below 10°C/50°F). Continuous air movement inside ducts will prevent condensation formation. The unit can be stopped temporarily for maintenance and/or repair purposes in such conditions. (Refer to the main unit Installer Manual for more details.)

INSTALLATION

1. Unplug the ventilation unit.

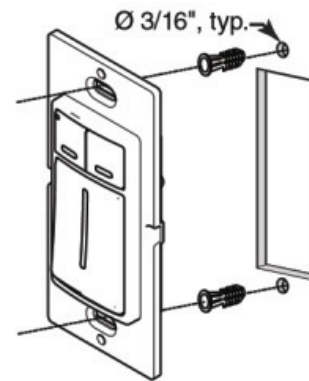
NOTE: If the control is to be installed in an electric box, go to step 5.

2. Cut a 27/8" x 13/4" hole in a wall, at a convenient location for the control. Route a cable (type 22/4) for the control from the unit to this hole.



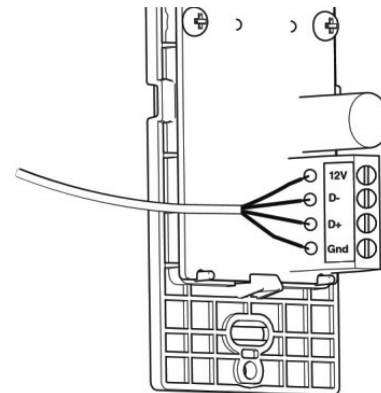
A200529

3. Temporarily place the control over the hole and mark both mounting screw hole positions.
4. Remove the control, drill both screw holes (3/16" Ø) in wall and insert the wall anchors (included).



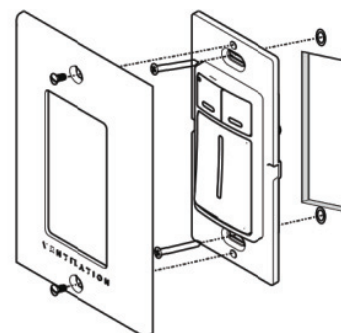
A200530

5. Strip the end of the cable to access the 4 wires (about 3"). Strip the end of each wire (about 1/4"). Connect the wires to the terminals, regardless of the wire color. Note which wire color has been chosen for each terminal.



A200531

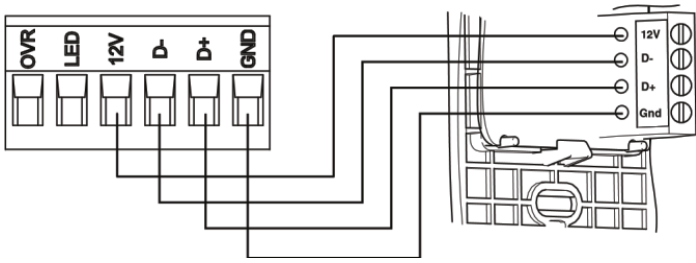
6. Mount the control to the wall.



A200532

7. Perform the electrical connection to the terminal connector of the unit, as shown below. For more details, refer to the installation manual of the ventilation unit.

NOTE: To avoid miswiring, refer to the notes taken at step 5 to match the wire color with the right terminal.



A200533

8. Plug the ventilation unit and test the wall control.

HOW TO USE THE CONTROL



A200535

The main button works following this sequence:

- Click 1 = 30% RH
 - Click 2 = 35% RH
 - Click 3 = 40% RH
 - Click 4 = 45% RH
 - Click 5 = 50% RH
 - Click 6 = 55% RH
 - Click 7 = Dehumidistat disabled
- and so on

The indicator lights up per the selected RH. If the set point is exceeded, the system will operate in MAX speed until the set point is reached. The dehumidistat will deactivate if outside temperature exceeds 24°C (75°F).

- Press the CONT button to get continuous exchange ventilation in MIN speed. The CONT indicator will light up. To quit this mode, press the CONT button.
- Press the INT button to get intermittent ventilation. The INT indicator will light up. Within a one hour period, the system will operate in MIN speed for 20 minutes. To quit this mode, press the INT button..
- If the maintenance indicator is lit, it means that the filter needs to be cleaned or replaced. Once the filter is cleaned or replaced, press the AUTO button for five seconds to reset the maintenance indicator. If the maintenance indicator flashes, the LCD screen on the unit will give the error code. Refer to the Troubleshooting section in the ventilation unit user guide for more information.
- At unit first boot, INT and CONT indicators blink alternately for about 1 minute. If indicators continue blinking after this period, it means that the communication cannot be established with the ventilation unit. Make sure wires are correctly connected to the wall control and unit terminals (refer to step 7).